

REV.NO.	REVISION DESCRIPTION	DRAWN / DATE	REVIEWED / DATE	APPROVED / DATE
	Previous versions omitted			
△6	Correct switch type error	KYJ/20230308		
△7	Range display changed ...	KCH/20241220	JCS/20241220	KTJ/20241220

Specifications

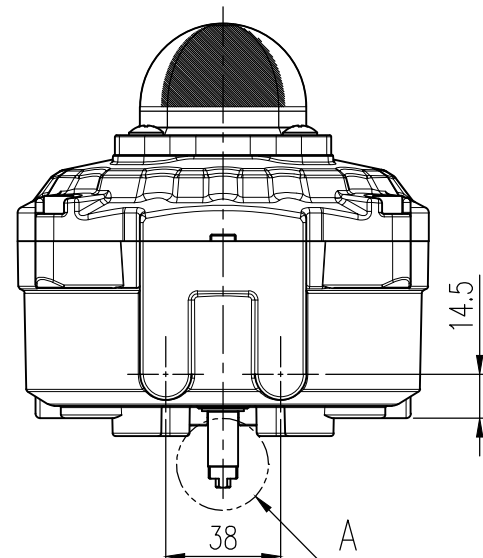
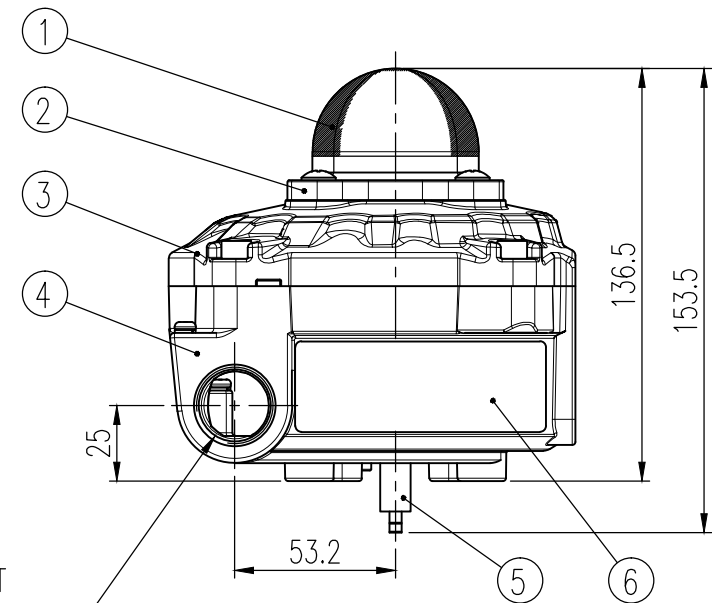
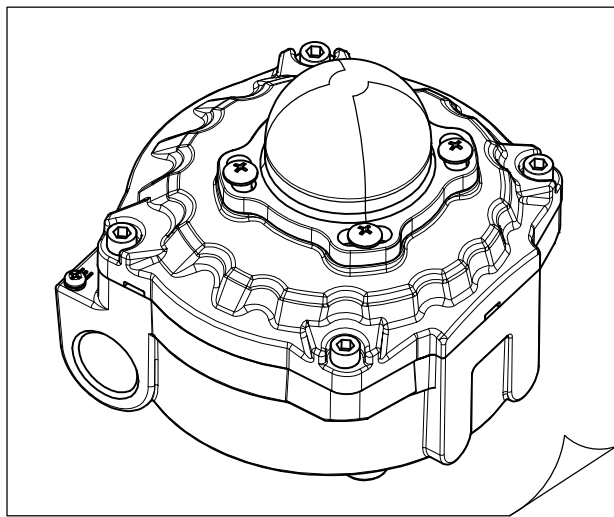
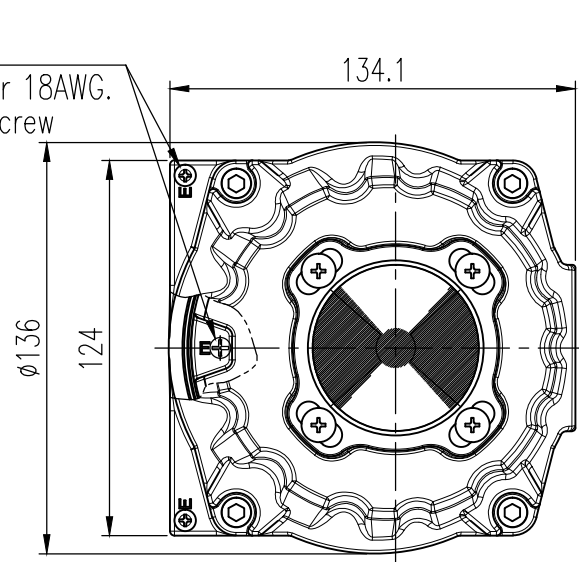
Model		<input type="checkbox"/> YT-875M	<input type="checkbox"/> YT-875P	<input type="checkbox"/> YT-875D	
Limit Switch	Switch Type	Mechanical Switch, 2 x SPDT	Inductive Proximity Sensor x 2		
	Model No. & Manufacturer	SS-5GL (Omron)	<input type="checkbox"/> <Standard> PSN17-5DNU (Autonics, NPN type)	<input type="checkbox"/> <Option> NJ2-V3-N (P&F, NC type)	
	Switch Rating	AC	250 V 3 A 125 V 5 A	-	125 or 250 V 10A
		DC	250 V 0.2 A, 125 V 0.4 A, 30 V 4 A, 14 V 5 A, 8 V 5 A	12 to 24 V	8 V 125 V 0.5 A, 250 V 0.25 A 30 V 10 A, 14 V 10 A, 8 V 10 A
Terminal		8 Point	8 Point	12 Point	
<input type="checkbox"/> Sptm In	Connection Type	2 wire			
	External Load Resistance	Rext ≤ (Vs-9) / 20 mA, 750 ohms @Vs = 24 V			
	Supply Voltage	Vs : 9 to 28 V DC			
Ingress Protection	Type 4, 4X (CSA), IP 67				
Explosion Protection	<input type="checkbox"/> KCs : Ex d IIC T6, Ex tb IIIC T85°C ATEX : II 2G Ex db IIC T6 Gb, II 2D Ex tb IIIC T85°C Db <input type="checkbox"/> IECEx, CCC : Ex db IIC T6 Gb, Ex tb IIIC T85°C Db CSA : Ex db IIC T6; CI I, Zn 1, AEx db IIC T6; CI II, Div I, Grps E, F and G; Zn 21, AEx tb IIIC T85°C <input type="checkbox"/> CCC : Ex db IIC T6 Gb, Ex tb IIIC T85°C Db				
Ambient Temp.	-20 to 60 °C(-4 to 140 °F)				
Conduit Entry	2-3/4 NPT				
Mounting Bracket Standard	NAMUR VDI/VDE 3845, ISO 5211				
Housing Material	Stainless steel 316				
Weight	3.5 kg (7.7 lb)				

No.	Part name	Material	Q'ty	Remarks
1	Indicator	ABS	1	
2	Indicator cover	PC(Poly carbonate)	1	
3	Base cover	SCS14	1	
4	Base body	SCS14	1	
5	Main shaft	STS316	1	
6	Name plate	STS316L	1	

SURFACE TEXTURE		PRODUCT NAME		PROJECT NAME	
FINISH TREATMENT		Limit switch box		-	
MATERIAL		MODEL		rotork® Rotork YTC Limited	
OTHERWISE NOTE		PROJECTION		GMP0-SI, KOREA	
GENERAL TOLERANCE		SCALE		TITLE	
		3rd		Standard	
		1 / 2.5		DRAWING NO.	
		SHEET No.		REV.	
		1 / 1		YT-875-1	
		QUANTITY		7	
		1			

Earth (External, Internal)

1. Minimum Size Wire 1mm² or 18AWG.
2. M4x5L, 0.7P Round Head Screw
3. M4 Spring washer



2-Conduit, 3/4 NPT

During connecting cable or conduits, it is necessary to follow flame-proof certified procedure or flame-proof certified cable gland or flexible coupling.

