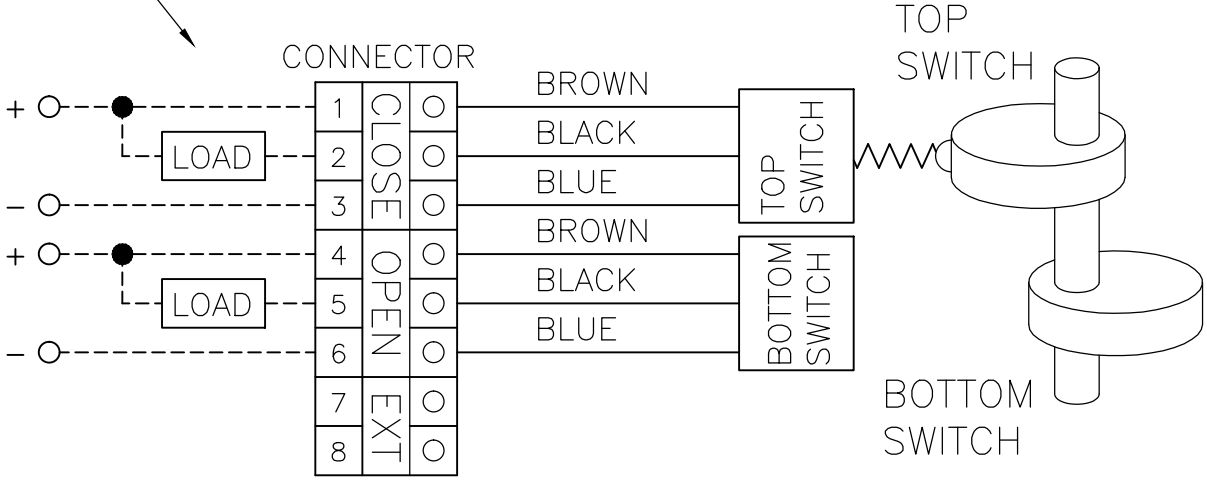
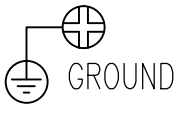
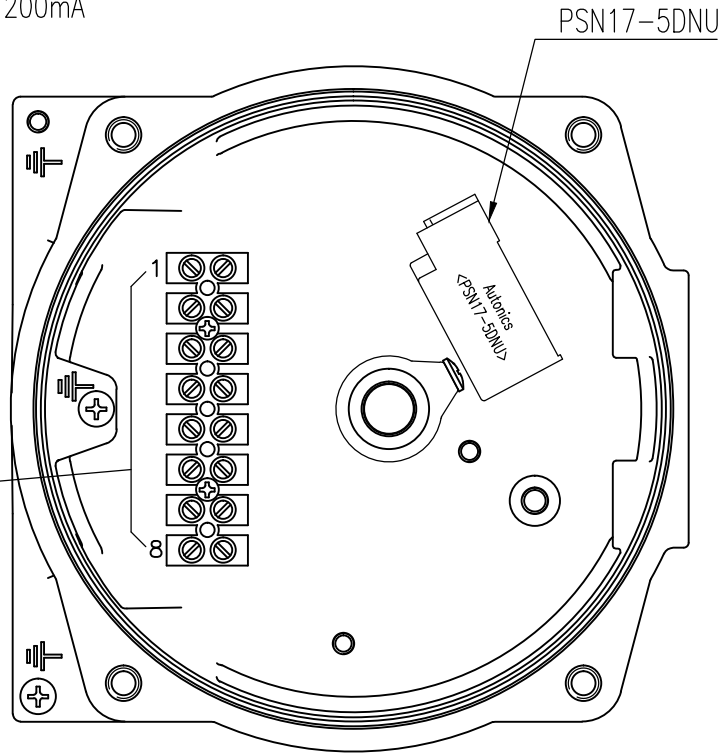


1 2 3 4

REV.NO.	REVISION DESCRIPTION	DRAWN / DATE	REVIEWED / DATE	APPROVED / DATE
Previous versions omitted				
3	Title modified	KSH/20191016	JJS/20191016	KTJ/20191016
4	Drawing updated	KYJ/20250206	JJS/20250206	KTJ/20250206

*** P-Sensor Switch Rating**

Autonics, PSN17-5DNU
 NPN type
 DC 12 to 24V, 11 to 200mA



PROJECT NAME _____

SURFACE TEXTURE		PRODUCT NAME		rotork Rotork YTC Limited <small>GIMPO-SI, KOREA</small>	
-		LIMIT SWITCH BOX			
FINISH TREATMENT		MODEL		TITLE YT-870P, 875P(2xProximity sensor, Autonics, NPN) WIRING DIAGRAM	
-		YT-870, 875			
MATERIAL		PROJECTION	SCALE	DRAWING NO. 870-03 REV. 4	
-		3rd	-		
OTHERWISE NOTE	GENERAL TOLERANCE	QUANTITY	SHEET No.		
-	-	1	1 / 1		

2019.01.23

1 2 3 Rotork YTC-A4