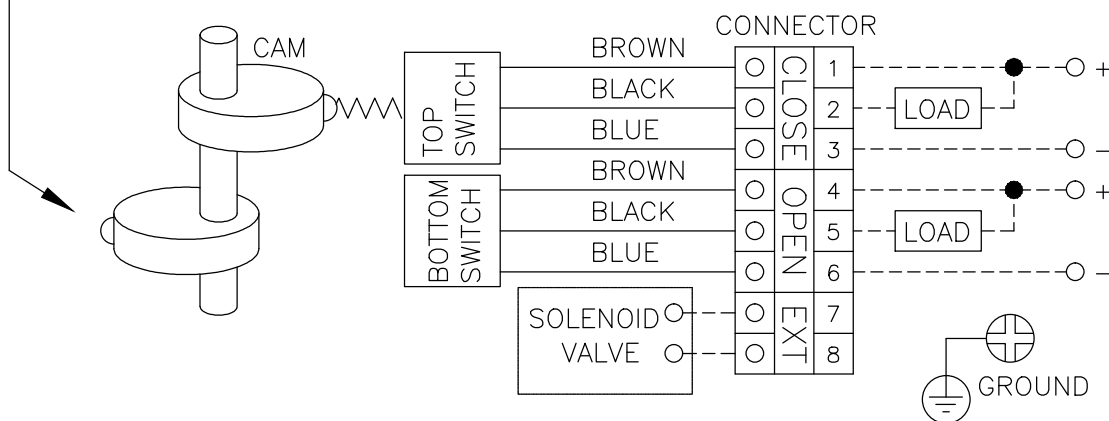
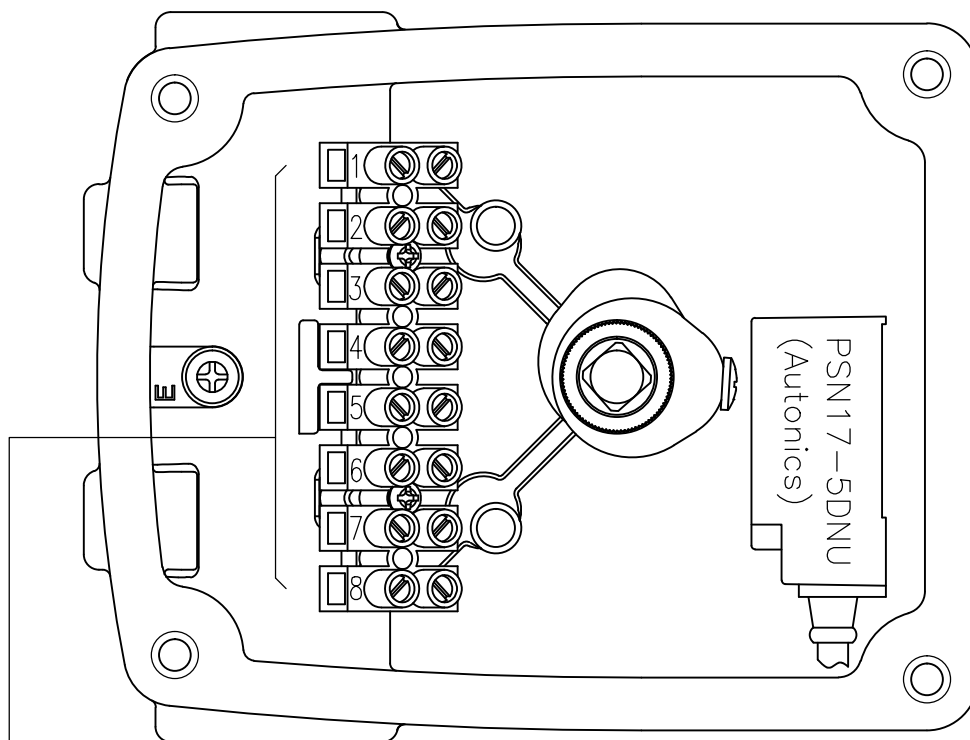


REV.NO.	REVISION DESCRIPTION	DRAWN / DATE	REVIEWED / DATE	APPROVED / DATE
	Previous versions omitted			
②	Drawing arrangement	KCH/20190807	JJS/20190807	KTJ/20190807
③	Number range disply changed	KYJ/20241119	JJS/20241119	KTJ/20241119



**NOTE**

1. Switch rating : 12 to 24 VDC (Max. 200mA)

SURFACE TEXTURE		PRODUCT NAME		PROJECT NAME	
-		LIMIT SWITCH BOX		NPN type	
FINISH TREATMENT		MODEL		TITLE	
-		YT-850		YT-850P (2xProximity sensor)	
MATERIAL		PROJECTION		DRAWING NO.	
-		3rd		850-02	
OTHERWISE NOTE		QUANTITY		REV.	
-		1		3	
GENERAL TOLERANCE		SHEET No.			
-		1 / 1			

**rotork** Rotork YTC Limited  
GIMPO-SI, KOREA

WIRING DIAGRAM

2019.01.23