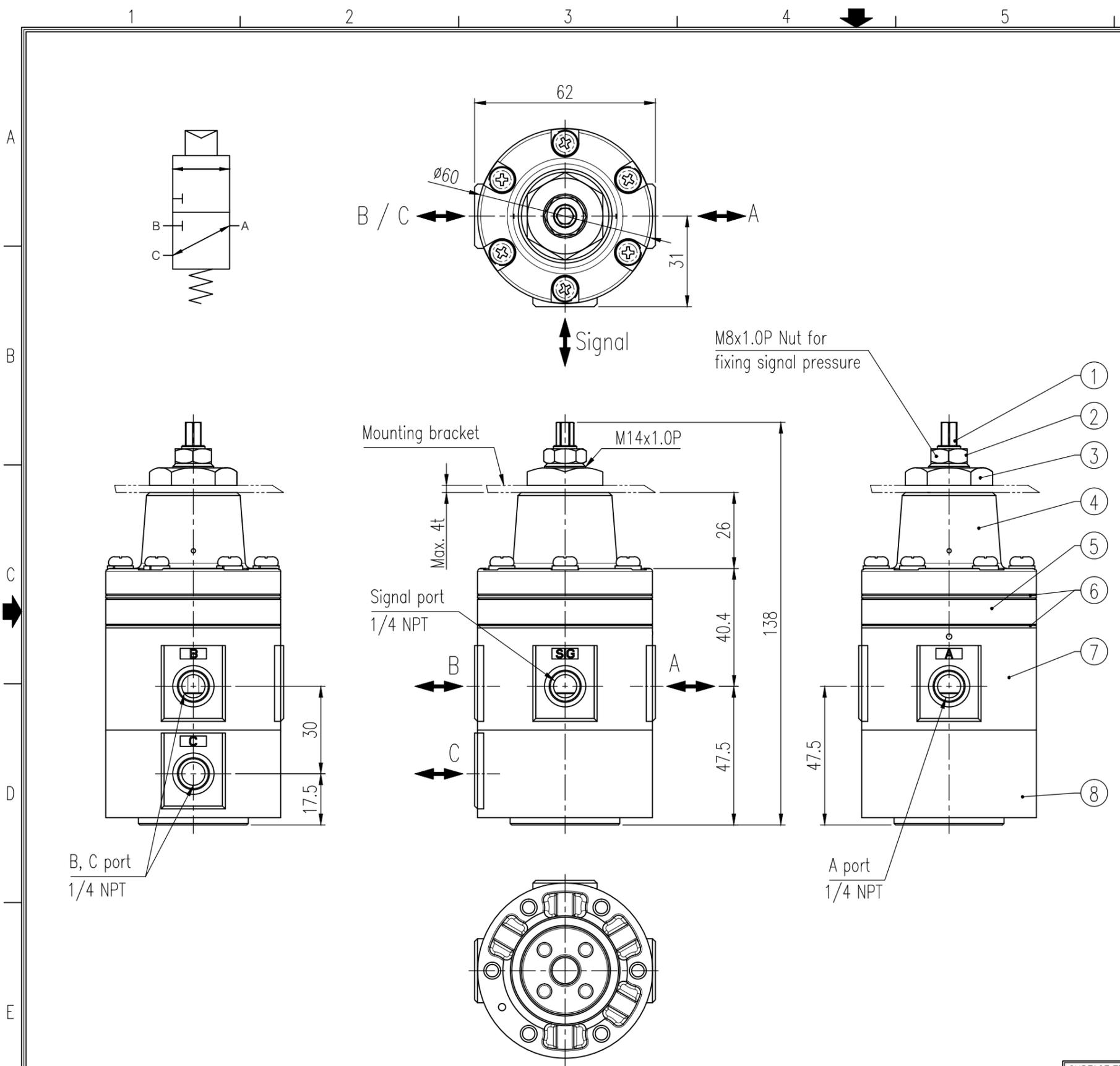


REV.NO.	REVISION DESCRIPTION	DRAWN / DATE	REVIEWED / DATE	APPROVED / DATE
	Previous versions omitted			
△	Drawing arrangement	OSS/20190927	KCH/20190927	KTJ/20190927
△	Range display changed	KCH/20241220	JCS/20241220	KTJ/20241220



### Specifications

Item. type	YT-520 Single	
Max. supply pressure	Max. 1 MPa (10 bar)	
Signal pressure setting range	0.14 to 0.7 MPa (1.4 to 7 bar)	
Hysteresis	Below 0.01 MPa (0.1 bar)	
Flow capacity(Cv)	0.9	
Ambient temperature	Standard	<input type="checkbox"/> -20 to 70 °C (-4 to 158 °F)
	High	<input type="checkbox"/> -20 to 120 °C (-4 to 248 °F)
	Low	<input type="checkbox"/> -40 to 70 °C (-40 to 158 °F)
	Arctic	<input type="checkbox"/> -50 to 70 °C (-58 to 158 °F)
Air connection	1/4 NPT	
Housing material	Aluminum	
Weight	0.71 kg (1.6 lb)	

No.	Part name	Material	Q'ty	Remark
1	Adjust shaft	STS303	1	
2	Nut (M8x1.0P)	STS304	1	
3	Mounting nut (M14x1.0P)	C3604BD + Ni plated	1	
4	Base cover	ALDC12	1	
5	Exhaust ring	ALDC12	1	
6	Diaphragm	NBR	2	Standard
		Silicone	2	Low/High/Arctic temp.
7	Base body	ALDC12	1	
8	Lower body	ALDC12	1	

### NOTE

1. Be sure that the difference between setting pressure and signal pressure is over 0.1 MPa.

SURFACE TEXTURE	PRODUCT NAME	Snap acting relay		Rotork YTC Limited GIMPO-SI, KOREA
FINISH TREATMENT	MODEL	YT-520S		
MATERIAL	PROJECTION	SCALE	1 / 1.5	TITLE
OTHERWISE NOTE	GENERAL TOLERANCE	QUANTITY	1	Single standard type
		SHEET No.	1 / 1	DRAWING NO.
				YTC-520S-1
				REV.
				3