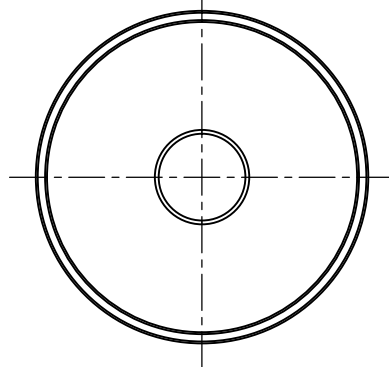
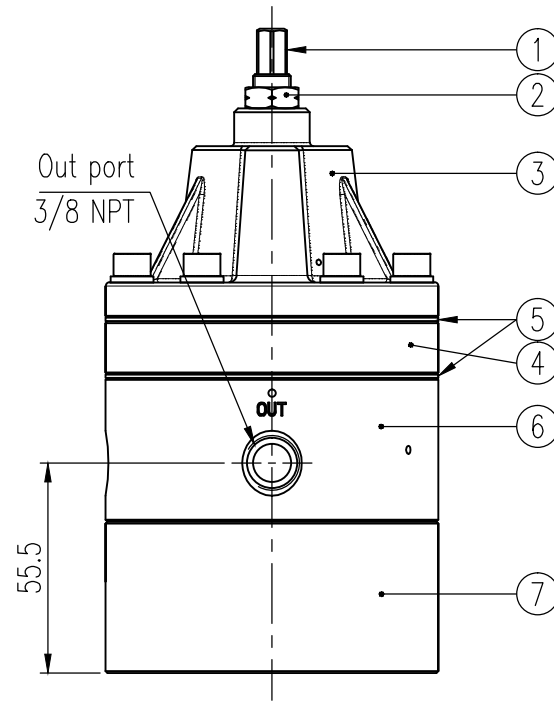
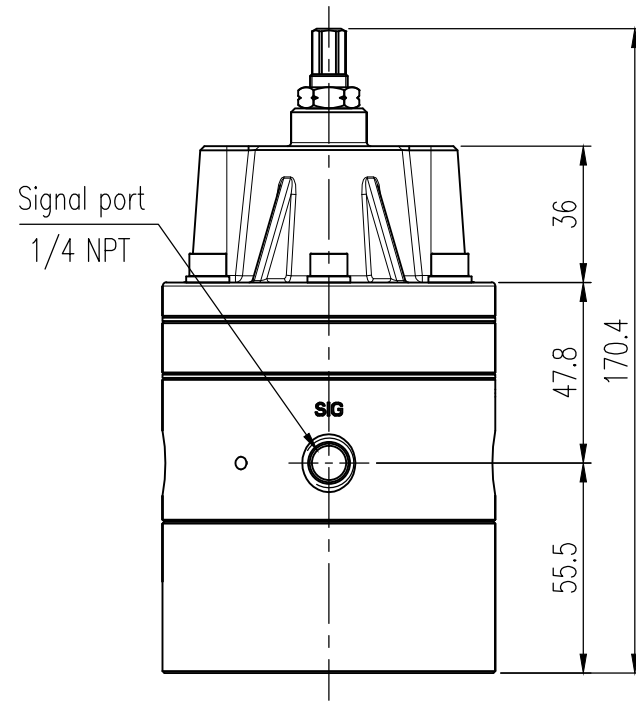
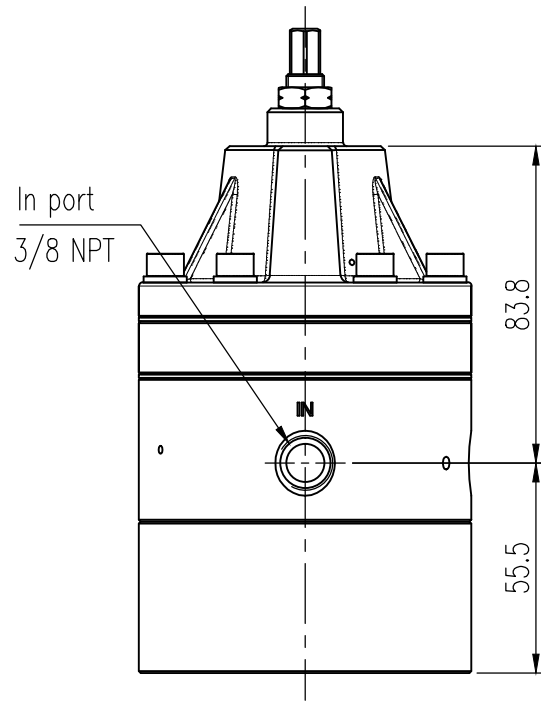
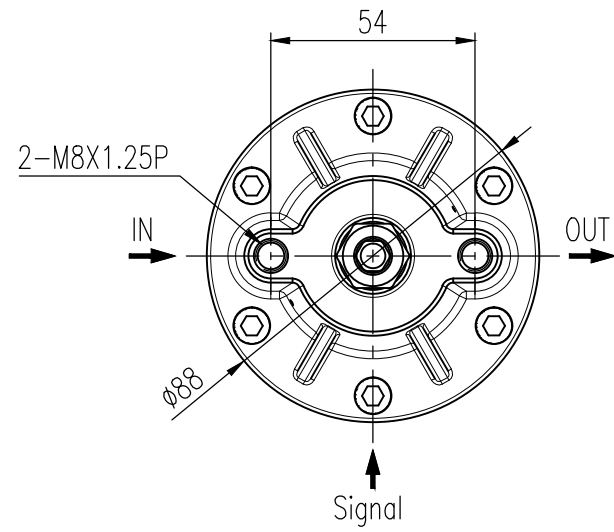
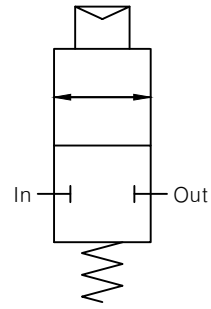


REV.NO.	REVISION DESCRIPTION	DRAWN / DATE	REVIEWED / DATE	APPROVED / DATE
/	Previous versions omitted	/	/	/
△	Drawing arrangement	OSS/20190926	KCH/20190926	KTJ/20190926
△	Range display changed	KCH/20241220	JCS/20241220	KTJ/20241220



**Specifications**

Item. type	YT-435 Single type	
Max. supply pressure	Max. 1 MPa (10 bar)	
Signal pressure setting range	0.14 to 0.7 MPa (1.4 to 7 bar)	
Hysteresis	Below 0.01 MPa (0.1 bar)	
Flow capacity(Cv)	1.8	
Ambient temperature	Standard	<input type="checkbox"/> -20 to 70 °C (-4 to 158 °F)
	High	<input type="checkbox"/> -20 to 120 °C (-4 to 248 °F)
	Low	<input type="checkbox"/> -40 to 70 °C (-40 to 158 °F)
	Arctic	<input type="checkbox"/> -50 to 70 °C (-58 to 158 °F)
Input / Output connection	3/8 NPT	
Signal connection	1/4 NPT	
Housing material	Stainless steel 316	
Weight	3.3 kg (7.3 lb)	

No.	Part name	Material	Q'ty	Remark
1	Adjust shaft	STS316	1	
2	Nut (M10x1.0P)	STS316	1	
3	Base cover	STS316	1	
4	Exhaust ring	STS316	1	
5	Diaphragm	NBR	2	Standard
		Silicone	2	Low/High/Arctic temp.
6	Base body-1	STS316	1	
7	Lower body-1-S	STS316	1	

**NOTE**

1. Be sure that the difference between setting pressure and signal pressure is over 0.1 MPa.

SURFACE TEXTURE		PRODUCT NAME Lock up valve		<b>rotork</b> Rotork YTC Limited GMP0-SI, KOREA
FINISH TREATMENT		MODEL YT-435S		
MATERIAL		PROJECTION 3rd	SCALE 1 / 2	TITLE Single stainless steel type
OTHERWISE NOTE	GENERAL TOLERANCE	QUANTITY 1	SHEET No. 1 / 1	DRAWING NO. YT-435S-1
				REV. 2