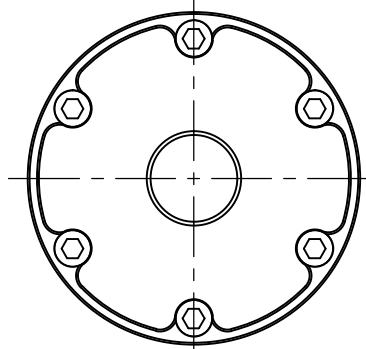
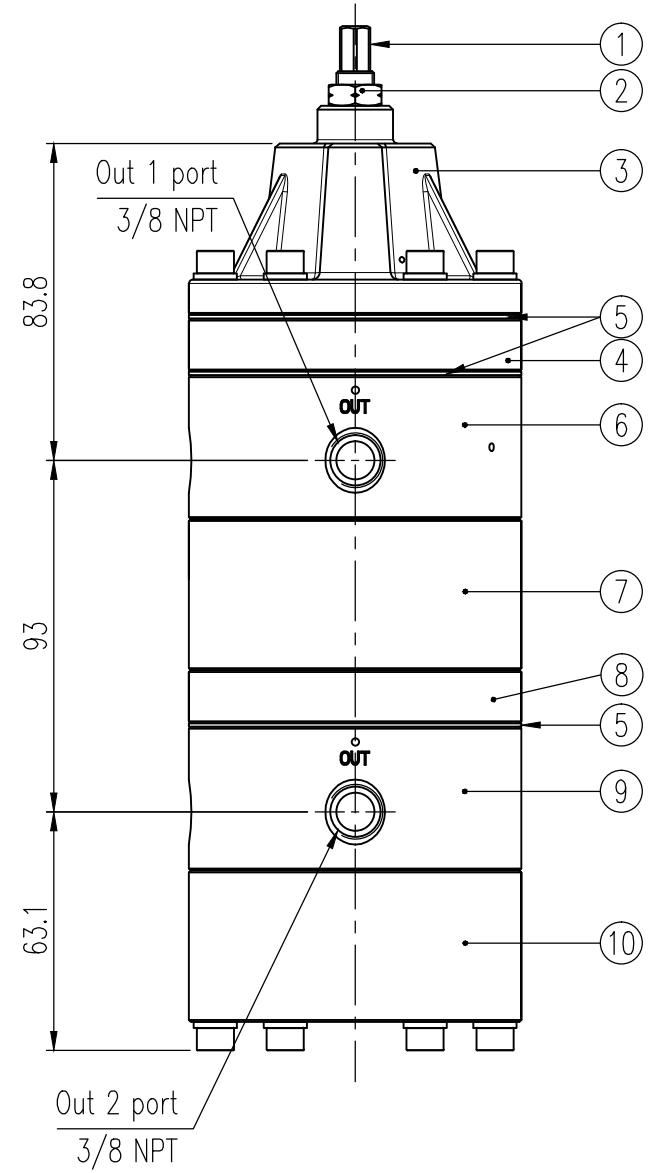
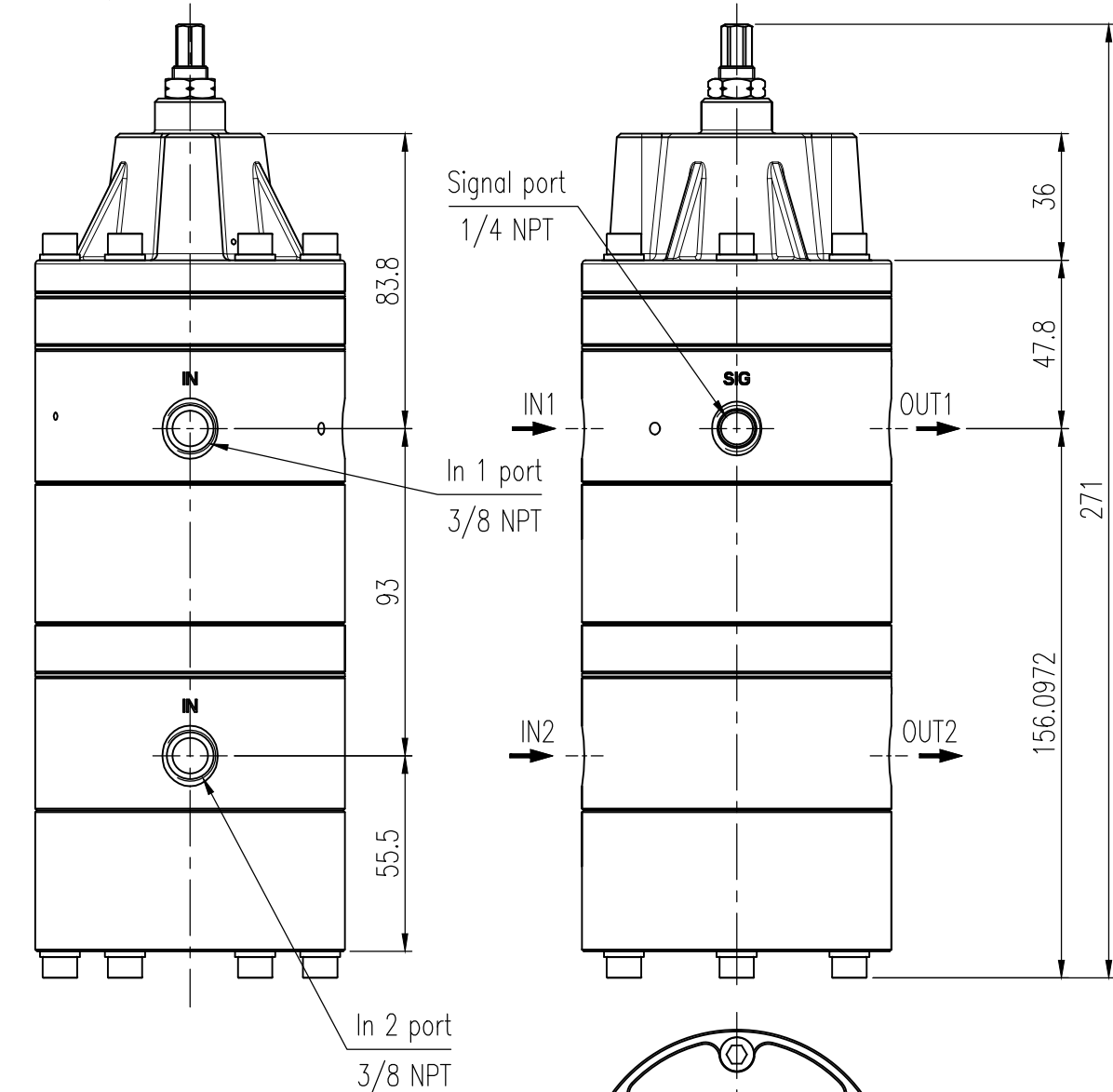
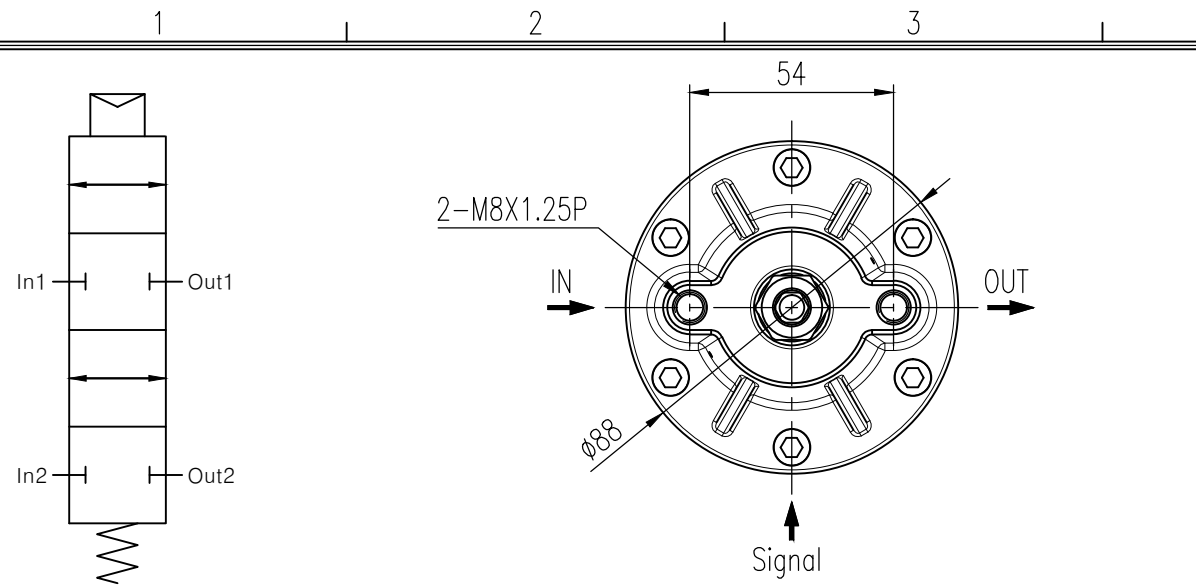


REV.NO.	REVISION DESCRIPTION	DRAWN / DATE	REVIEWED / DATE	APPROVED / DATE
/	Previous versions omitted	/	/	/
△	Drawing arrangement	OSS/20190926	KCH/20190926	KTJ/20190926
△	Range display changed	KCH/20241220	JCS/20241220	KTJ/20241220



**NOTE**  
1. Be sure that the difference between setting pressure and signal pressure is over 0.1 MPa.

**Specifications**

Item. type	YT-435 Double type	
Max. supply pressure	Max. 1 MPa (10 bar)	
Signal pressure setting range	0.14 to 0.7 MPa (1.4 to 7 bar)	
Hysteresis	Below 0.01 MPa (0.1 bar)	
Flow capacity(Cv)	1.8	
Ambient temperature	Standard	□ -20 to 70 °C (-4 to 158 °F)
	High	□ -20 to 120 °C (-4 to 248 °F)
	Low	□ -40 to 70 °C (-40 to 158 °F)
	Arctic	□ -50 to 70 °C (-58 to 158 °F)
Input / Output connection	3/8 NPT	
Signal connection	1/4 NPT	
Housing material	Stainless steel 316	
Weight	5.8 kg (12.8 lb)	

No.	Part name	Material	Q'ty	Remark
1	Adjust shaft	STS316	1	
2	Nut (M10x1.0P)	STS316	1	
3	Base cover	STS316	1	
4	Exhaust ring-1	STS316	1	
5	Diaphragm	NBR	3	Standard
		Silicone	3	Low/High/Arctic temp.
6	Exhaust ring-2	STS316	1	
7	Base body-1	STS316	1	
8	Lower body-1	STS316	1	
9	Base body-2	STS316	1	
10	Lower body-2	STS316	1	

SURFACE TEXTURE		PRODUCT NAME		PROJECT NAME	
FINISH TREATMENT		Lock up valve		-	
MATERIAL		MODEL		rotork® Rotork YTC Limited	
OTHERWISE NOTE		PROJECTION		GMP0-SI, KOREA	
GENERAL TOLERANCE		SCALE		TITLE	
-		3rd 1 / 2		Double stainless steel type	
-		QUANTITY		DRAWING NO.	
-		1		YTC-435D-1	
-		SHEET No.		REV.	
-		1 / 1		3	