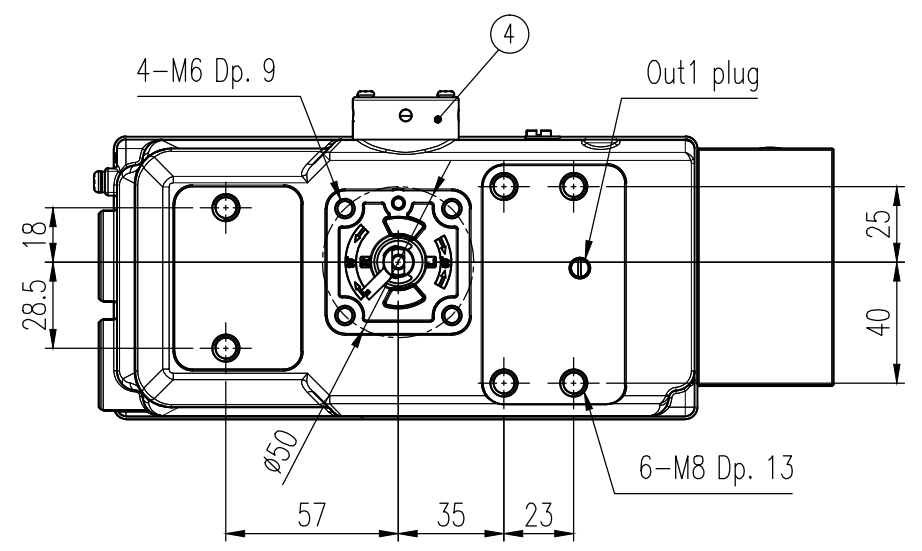
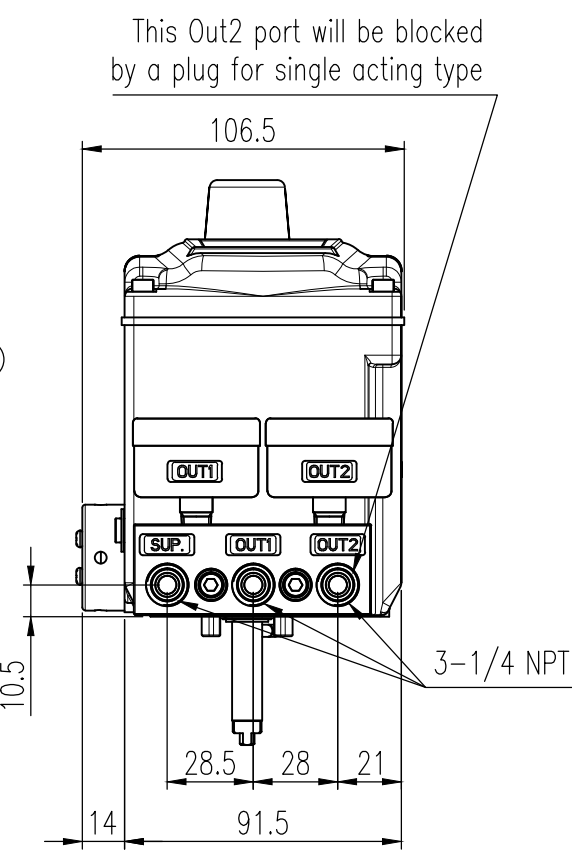
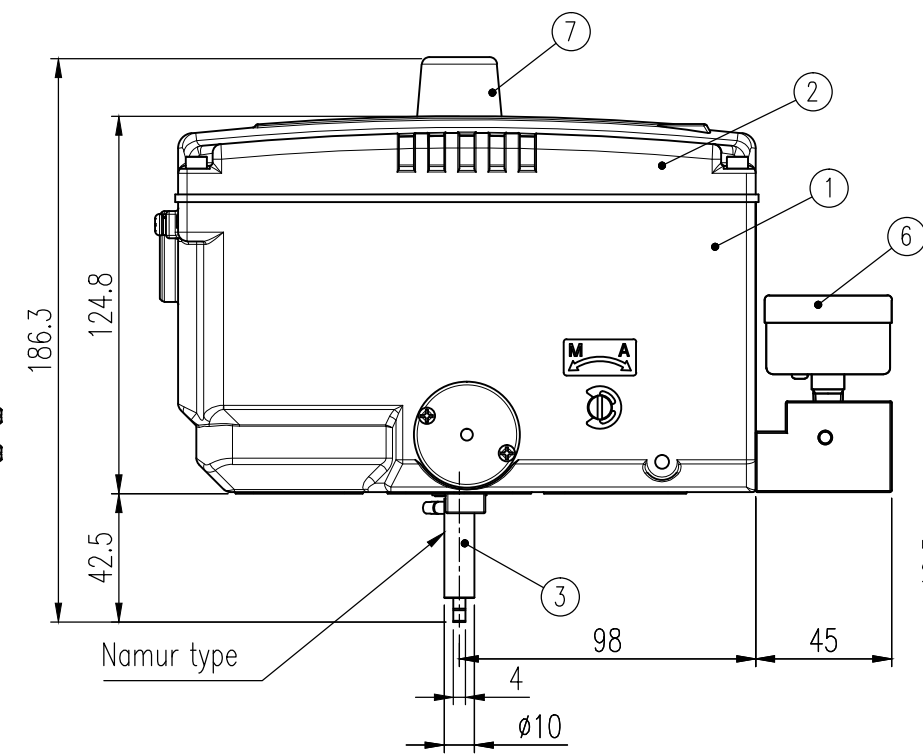
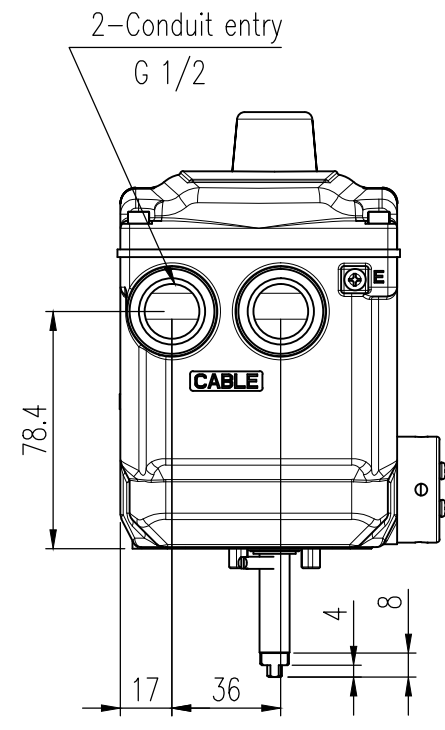
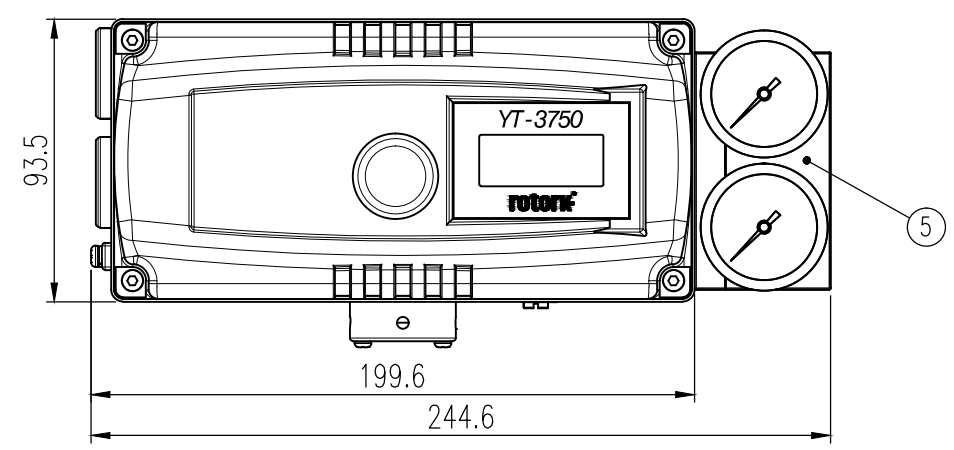


REV.NO.	REVISION DESCRIPTION	DRAWN / DATE	REVIEWED / DATE	APPROVED / DATE
△	Issue for approval	KCH/20250109	JCS/20250109	KTJ/20250109
△				

A
B
C
D
E

A
B
C
D
E



Specifications

Acting Type	<input type="checkbox"/> Single <input type="checkbox"/> Double	
Input Signal	4-20 mA DC	
Impedance	Max. 500 Ohm/20 mA DC	
Supply Pressure	0.14 to 0.7MPa (1.4 to 7bar)	
Explosion Protection	<input type="checkbox"/> Non-Explosion proof <input type="checkbox"/> Ex ia IIC T5/T6 ...	
Stroke	55 to 110°	
Operating Temp.	<input type="checkbox"/> -30 to 85 °C (-22 to 185 °F) <input type="checkbox"/> -40 to 85 °C (-40 to 185 °F) <input type="checkbox"/> -55 to 85 °C (-67 to 185 °F) : Only Non-Explosion	
Ambient Temp. of Explosion proof	-40 to 60 °C(T5) / -40 to 40 °C(T6)	
Linearity	± 0.5 % F.S.	
Hysteresis	± 0.5 % F.S.	
Sensitivity	± 0.2 % F.S.	
Repeatability	± 0.3 % F.S.	
Conduit	G 1/2	
Air Connection	1/4 NPT	
Gauge Connection	1/8 NPT	
Air consumption	Below 2 LPM (Sup. = 0.14 MPa, 1.4 bar)	
Flow Capacity	70 LPM (Sup. = 0.14 MPa, 1.4 bar)	
Ingress Protection	IP66, Type 4X(FM), (excluding the pressure gauges)	
Main Board	MPU	16 bit Micro Controller
	A/D Converter	12 bit
	D/A Converter	12 bit
Output Characteristics	Linear, EQ%, Quick Open, User set	
Communication	HART Communication (HART 7)	
Analog Output	<input type="checkbox"/> None <input type="checkbox"/> 4-20 mA (DC 9-28 V)	
Digital In / Out	Applied	
Housing material	Stainless steel 316	
Weight	5.1 kg (11.2 lb)	

Limit Switch Specification

Switch Type	<input type="checkbox"/> Mechanical Switch x2	<input type="checkbox"/> Proximity Sensor x2
Rated Voltage	3 A-125 VAC 2 A-30 VDC	8.2 VDC Not Detected ≥ 3 mA Detected ≤ 1 mA
Ambient Temp.	-40 to 85 °C	-25 to 100 °C

No.	Part name	Material	Q'ty	Remark
6	Pressure gauge	STS316	2	
5	Gauge block	STS316	1	
4	Vent cover	STS316	1	
3	Main shaft	STS316	1	
2	Base cover	SCS14	1	
1	Base body	SCS14	1	

SURFACE TEXTURE		PRODUCT NAME		PROJECT NAME	
-		Smart positioner		-	
FINISH TREATMENT		MODEL		TITLE	
-		YT-3750		Rotary, L/S internal	
MATERIAL		PROJECTION	SCALE	DRAWING NO.	
-		3rd	1 / 2.5	YT-3750R-2	
OTHERWISE NOTE		GENERAL TOLERANCE	QUANTITY	SHEET No.	REV.
-		1		1 / 1	0