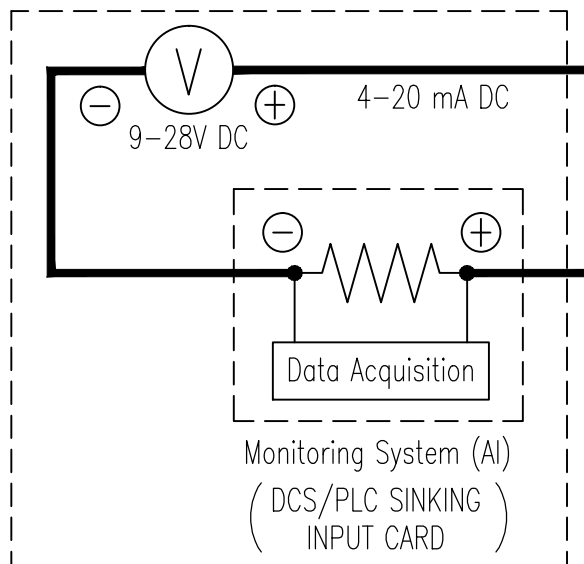
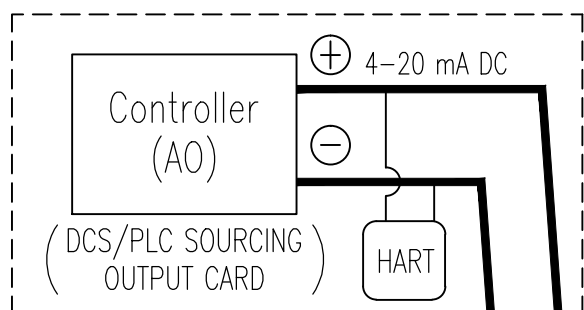
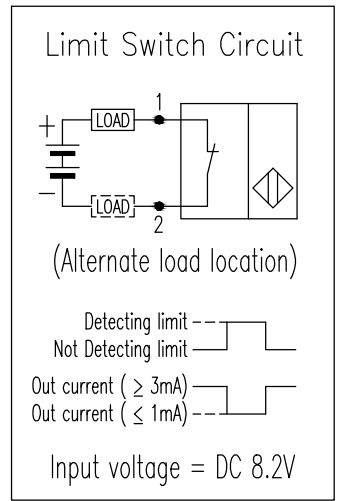
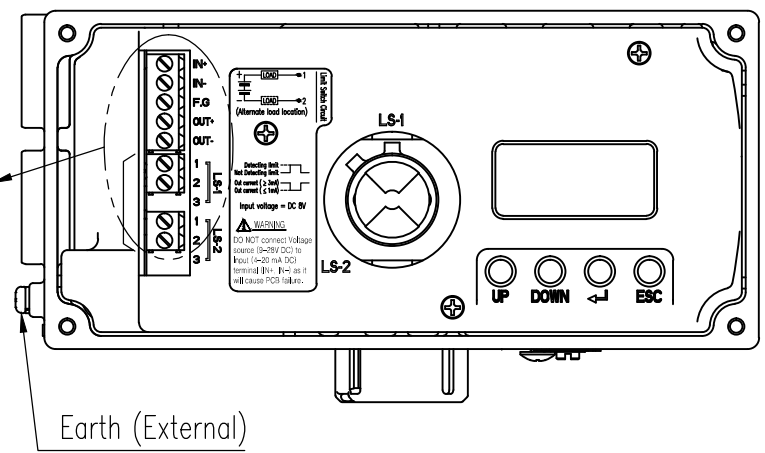
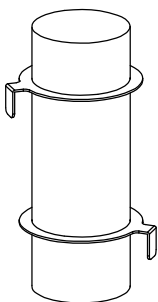
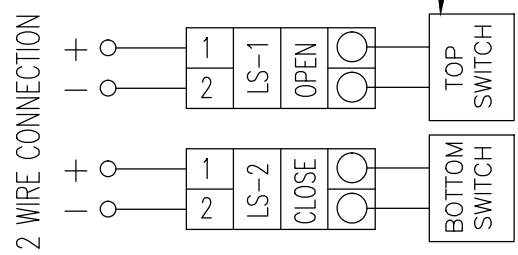


REV.NO.	REVISION DESCRIPTION	DRAWN / DATE	REVIEWED / DATE	APPROVED / DATE
△0	First Issued	KCH/20190808	JJS/20190808	KTJ/20190808
△1	PTM line modified	KCH/20191206	JJS/20191206	KTJ/20191206
△2	Number range dispys changed	KYJ/20241119	JJS/20241119	KTJ/20241119



$R_L = \text{Resistance value(Power + Wire + Monitoring system)}$

$$R_L \leq \frac{V_s[V] - 9[V]}{I [mA]}$$



* P&F Proximity Sensor Spec.

Supply Voltage	DC 8.2V
Output Current	Not Detected : ≥ 3mA, Detected : ≤ 1mA
Type	Namur, NC

PROJECT NAME _____

SURFACE TEXTURE		PRODUCT NAME		rotork Rotork YTC Limited GMPQ-SI, KOREA	
-		SMART POSITIONER			
FINISH TREATMENT		MODEL		TITLE YT-3700/3750 + Analog Output + L/S(2xProximity) WIRING DIAGRAM	
-		YT-3700, 3750			
MATERIAL		PROJECTION	SCALE	DRAWING NO.	
-		3rd	-		
OTHERWISE NOTE		GENERAL TOLERANCE	QUANTITY	REV.	
-		-		3700-07	
		SHEET No.		2	
		1		1 / 1	