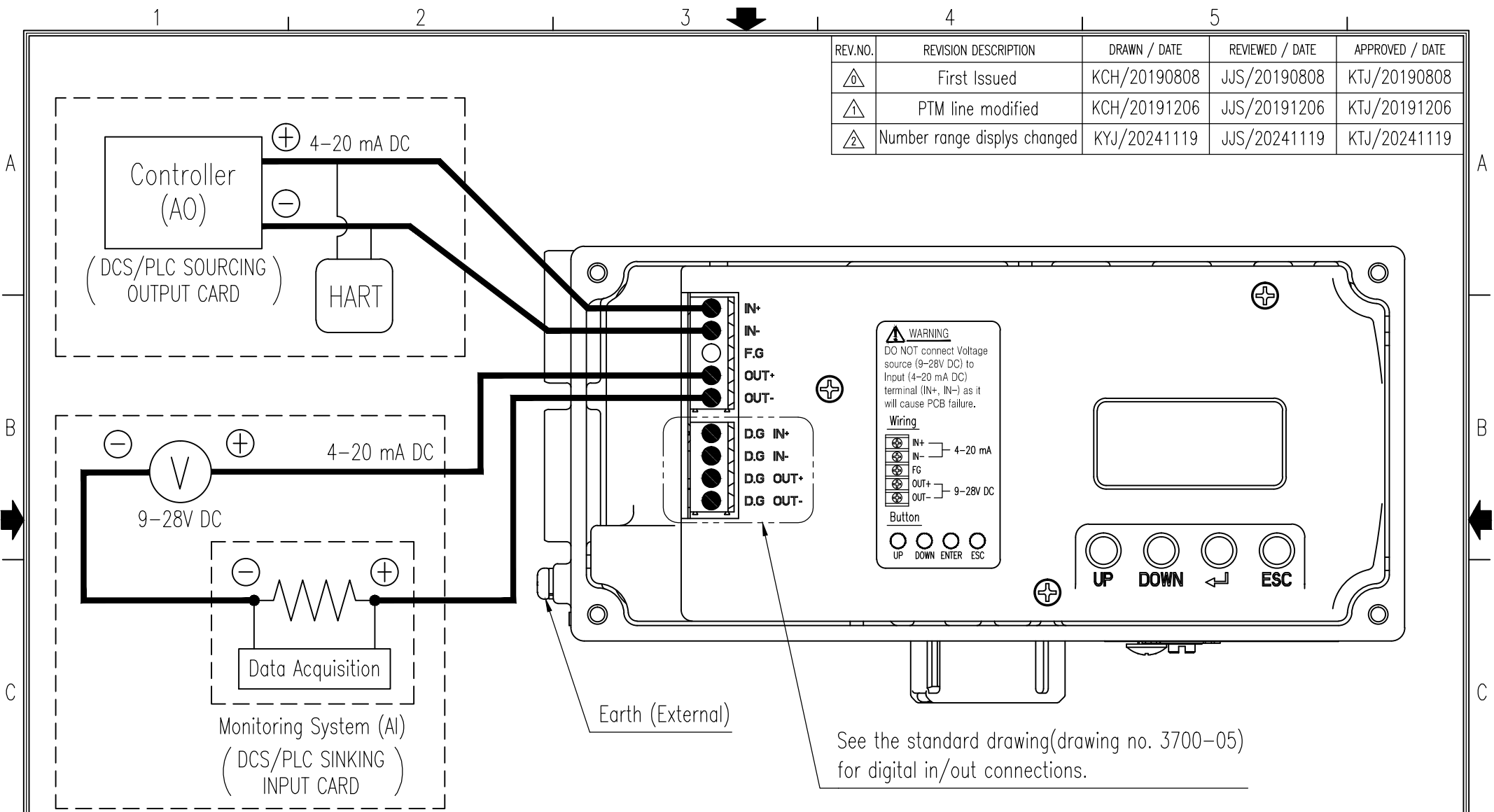


REV.NO.	REVISION DESCRIPTION	DRAWN / DATE	REVIEWED / DATE	APPROVED / DATE
△0	First Issued	KCH/20190808	JJS/20190808	KTJ/20190808
△1	PTM line modified	KCH/20191206	JJS/20191206	KTJ/20191206
△2	Number range dispys changed	KYJ/20241119	JJS/20241119	KTJ/20241119



R_L = Resistance value(Power + Wire + Monitoring system)

$$R_L \leq \frac{V_s[V] - 9[V]}{I [mA]}$$

PROJECT NAME _____

SURFACE TEXTURE		PRODUCT NAME SMART POSITIONER		Rotork YTC Limited GIMPO-SI, KOREA
FINISH TREATMENT		MODEL YT-3700, 3750		
MATERIAL		PROJECTION 3rd	SCALE -	TITLE YT-3700/3750 + Analog Output WIRING DIAGRAM
OTHERWISE NOTE	GENERAL TOLERANCE	QUANTITY 1	SHEET No. 1 / 1	DRAWING NO. 3700-06
				REV. 2

2019.01.23