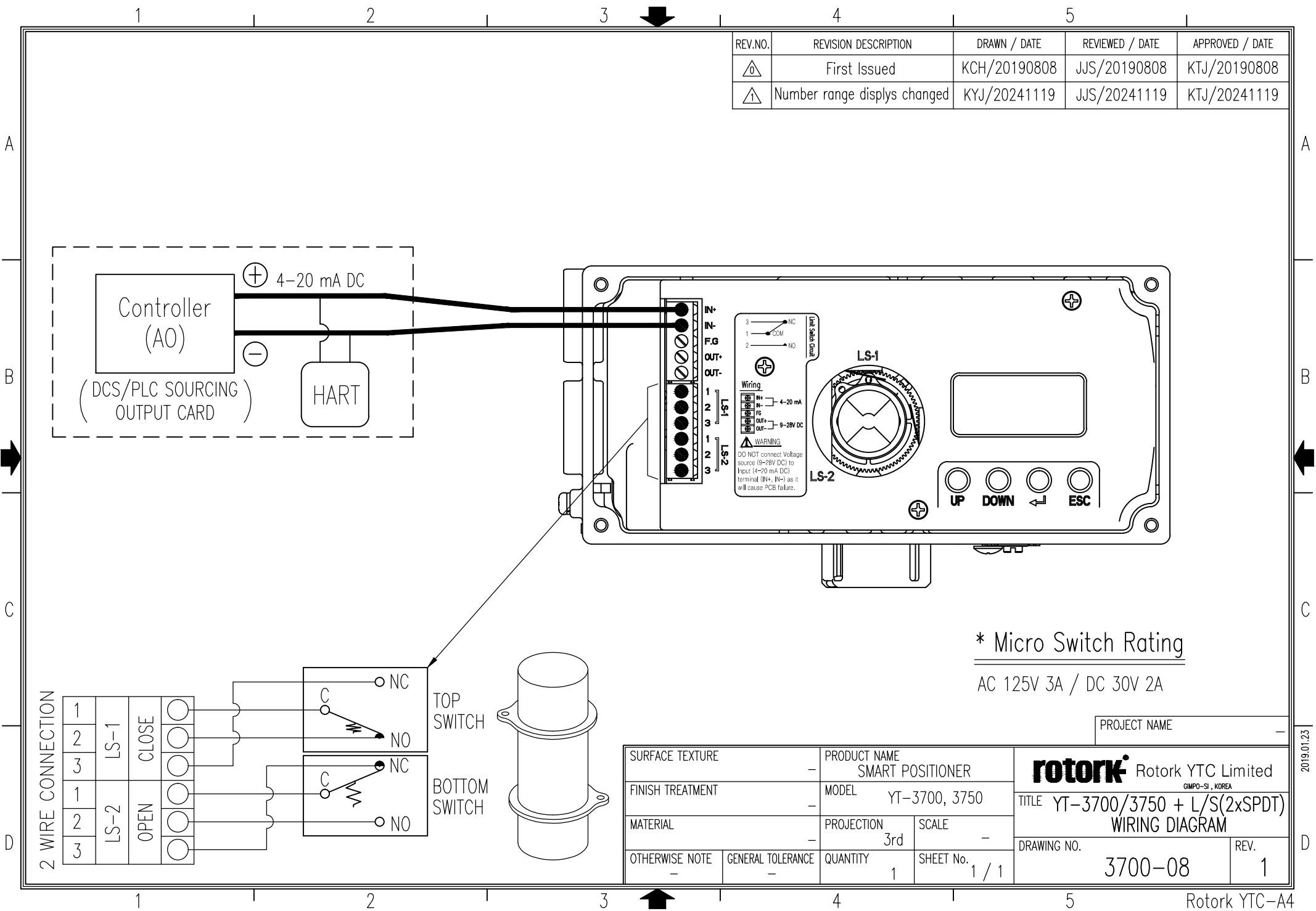
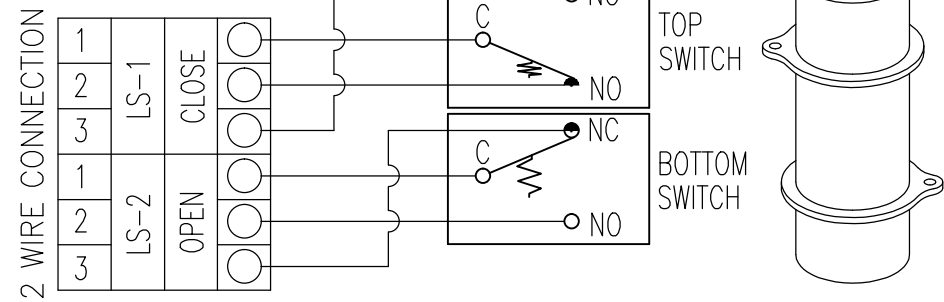


REV.NO.	REVISION DESCRIPTION	DRAWN / DATE	REVIEWED / DATE	APPROVED / DATE
△0	First Issued	KCH/20190808	JJS/20190808	KTJ/20190808
△1	Number range displys changed	KYJ/20241119	JJS/20241119	KTJ/20241119



* Micro Switch Rating
AC 125V 3A / DC 30V 2A



SURFACE TEXTURE		PRODUCT NAME		PROJECT NAME	
-		SMART POSITIONER		-	
FINISH TREATMENT		MODEL		TITLE	
-		YT-3700, 3750		YT-3700/3750 + L/S(2xSPDT)	
MATERIAL		PROJECTION		SCALE	
-		3rd		-	
OTHERWISE NOTE		QUANTITY		DRAWING NO.	
-		1		3700-08	
GENERAL TOLERANCE		SHEET No.		REV.	
-		1 / 1		1	