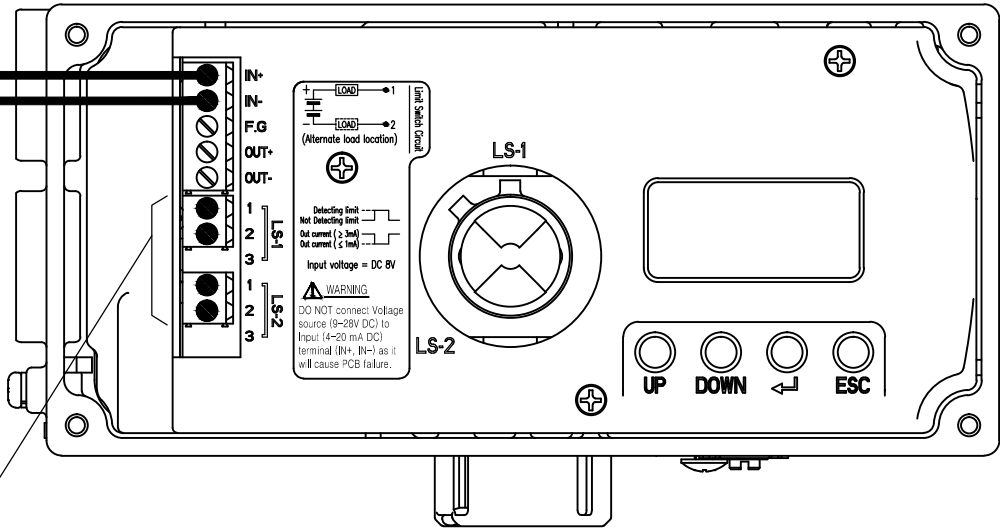
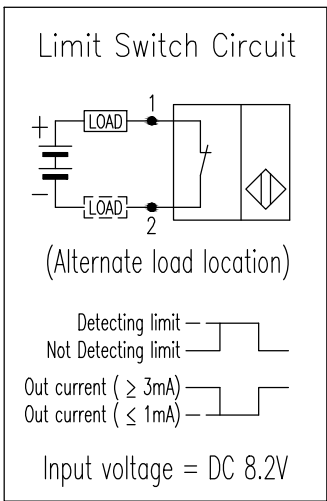
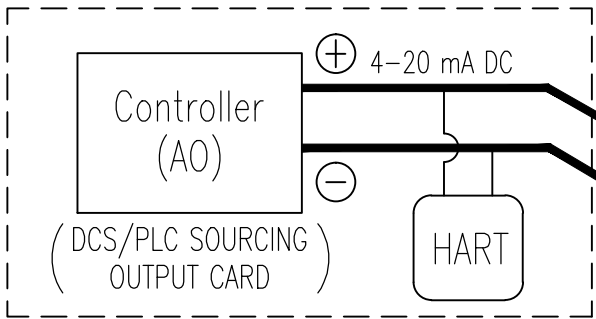
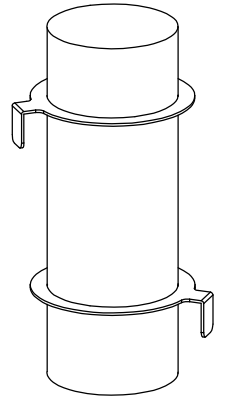
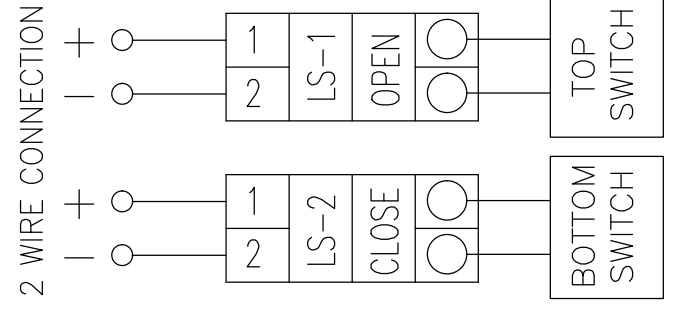


| REV.NO. | REVISION DESCRIPTION | DRAWN / DATE | REVIEWED / DATE | APPROVED / DATE |
|---------|------------------------------|--------------|-----------------|-----------------|
| △0 | First Issued | KCH/20190808 | JJS/20190808 | KTJ/20190808 |
| △1 | Number range displys changed | KYJ/20241119 | JJS/20241119 | KTJ/20241119 |



* P&F Proximity Sensor Spec.

| | |
|----------------|--|
| Supply Voltage | DC 8.2V |
| Output Current | Not Detected : ≥ 3mA, Detected : ≤ 1mA |
| Type | Namur, NC |



| | | | | | |
|------------------|--|-------------------|----------|--|------|
| SURFACE TEXTURE | | PRODUCT NAME | | PROJECT NAME | |
| - | | SMART POSITIONER | | - | |
| FINISH TREATMENT | | MODEL | | TITLE | |
| - | | YT-3700, 3750 | | rotork Rotork YTC Limited GMP0-SI, KOREA YT-3700/3750 + L/S(2xProximity) WIRING DIAGRAM | |
| MATERIAL | | PROJECTION | SCALE | DRAWING NO. | |
| - | | 3rd | - | 3700-09 | |
| OTHERWISE NOTE | | GENERAL TOLERANCE | QUANTITY | SHEET No. | REV. |
| - | | - | | 1 / 1 | 1 |