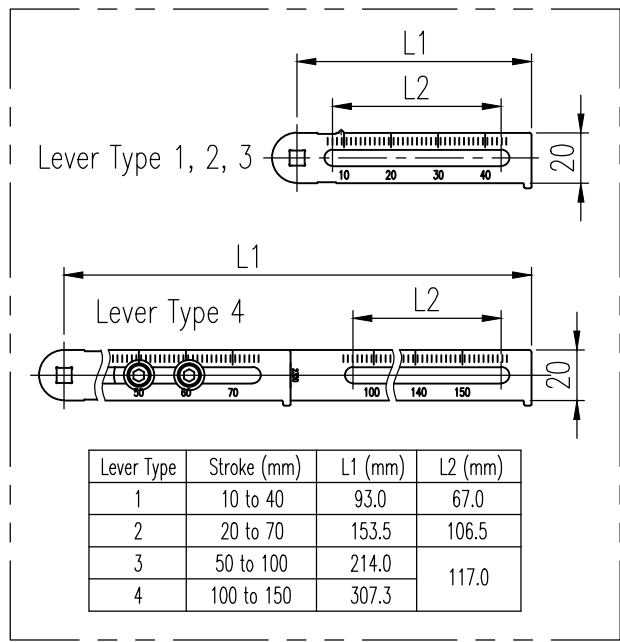
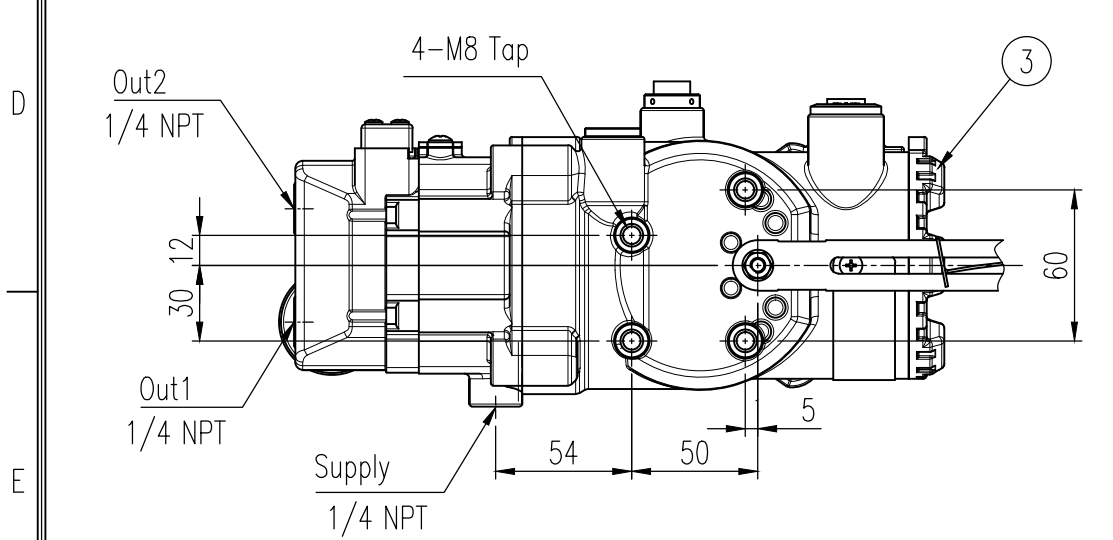
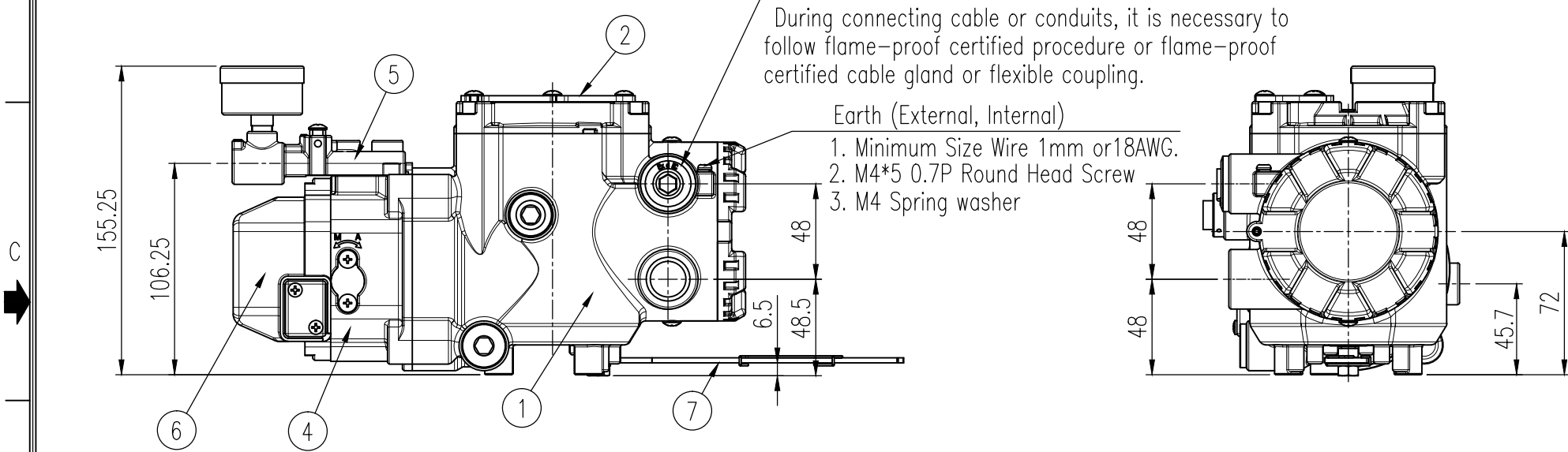


No.	Part name	Material	Q'ty	Remark
6	Feedback lever	STS316	1	
5	Pilot cover	SCS14	1	
4	Manifold	SCS14	1	
3	Terminal cover	SCS14	1	
2	Base cover	SCS14	1	
1	Base body	SCS14	1	



REV.NO.	REVISION DESCRIPTION	DRAWN / DATE	REVIEWED / DATE	APPROVED / DATE
	Previous versions omitted			
△	TYPE 4, 4X(CSA) added.	KCH/20200214	JCS/20200214	KTJ/20200214
△	Drawing updated	KCH/20250117	JCS/20250117	KTJ/20250117

Specifications

Acting Type	<input type="checkbox"/> Single <input type="checkbox"/> Double
Input Signal	4-20 mA DC
Minimum Current Signal	3.6 mA (Standard), 3.7 mA (Analog Output), 3.8 mA (HART or HART+Analog Output)
Impedance	Max. 450 Ohm/20mA DC
Supply Pressure	0.14 to 0.7MPa (1.4 to 7bar)
Explosion Protection	<input type="checkbox"/> Ex d IIC T6/T5 ... <input type="checkbox"/> Non-Explosion proof
Stroke	10 to 150mm
Operating Temp.	<input type="checkbox"/> -30 to 85 °C (-22 to 185 °F) <input type="checkbox"/> -40 to 85 °C (-40 to 185 °F) <input type="checkbox"/> -55 to 85 °C (-67 to 185 °F) : Only Non-Explosion
Ambient Temp. of Explosion proof	NEPSI, ATEX, IECEx T6 : -40 to 70 °C (-40 to 158 °F) FM, CSA, INMETRO ... T5 : -40 to 80 °C (-40 to 176 °F)
	KCs T6 : -40 to 70 °C (-40 to 158 °F) T5 : -40 to 85 °C (-40 to 185 °F)
Linearity	± 0.5 % F.S.
Hysteresis	± 0.5 % F.S.
Sensitivity	± 0.2 % F.S.
Repeatability	± 0.3 % F.S.
Conduit entry-Air Connection	<input type="checkbox"/> G 1/2-1/4 NPT <input type="checkbox"/> 1/2 NPT-1/4 NPT
Gauge Connection	1/8 NPT
Air consumption	Below 2 LPM (Sup. = 0.14 MPa, 1.4 bar)
Flow Capacity	70 LPM (Sup. = 0.14 MPa, 1.4 bar)
Ingress Protection	TYPE 4, 4X(CSA), IP66, (excluding the pressure gauges)
Main Board	MPU 16 bit Micro Controller
	A/D Converter 12 bit
	D/A Converter 12 bit
Output Characteristics	Linear, EQ%, Quick Open, User set
Communication	<input type="checkbox"/> None <input type="checkbox"/> HART Communication (HART 7) <input type="checkbox"/> HART with Enhanced Diagnostics & DI / DO
Option	<input type="checkbox"/> None <input type="checkbox"/> 4-20 mA Analog Output <input type="checkbox"/> Limit Switch(2ea) <input type="checkbox"/> 4-20 mA Analog Output + Limit Switch(2ea) 4)
Housing Material	Stainless Steel 316
Weight	7.0 kg (15.4 lb)
Lever Type	<input type="checkbox"/> 10 to 40 mm <input type="checkbox"/> 20 to 70 mm <input type="checkbox"/> 50 to 100 mm <input type="checkbox"/> 100 to 150 mm

SURFACE TEXTURE		PRODUCT NAME Smart positioner		PROJECT NAME	
FINISH TREATMENT		MODEL YT-3450		rotork Rotork YTC Limited GMP0-SI, KOREA	
MATERIAL		PROJECTION 3rd	SCALE 1 / 3	TITLE Linear	
OTHERWISE NOTE		GENERAL TOLERANCE	QUANTITY 1	DRAWING NO. YT-3450L-1	REV. 2
			SHEET No. 1 / 1		