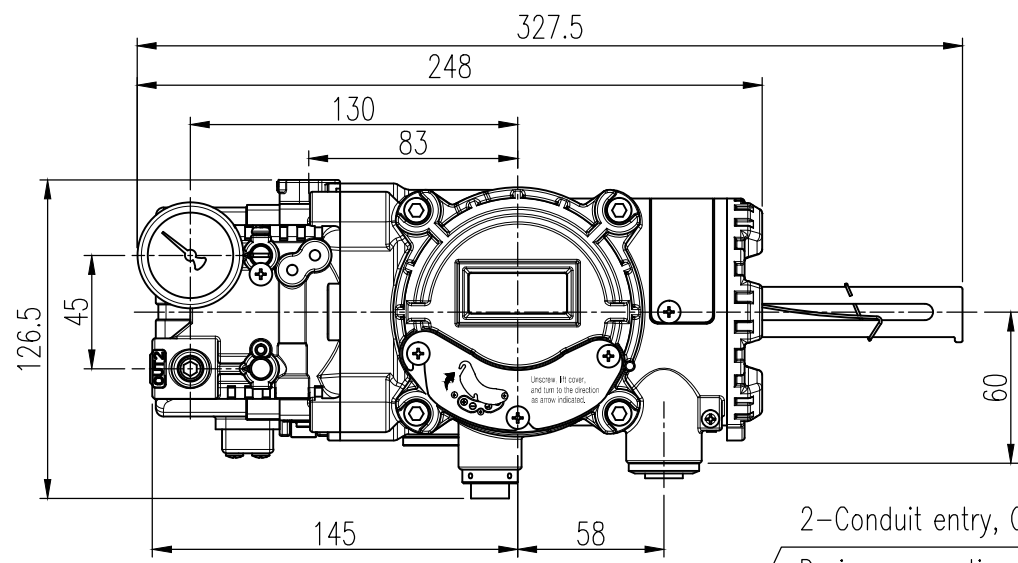


1 2 3 4 5 6 7

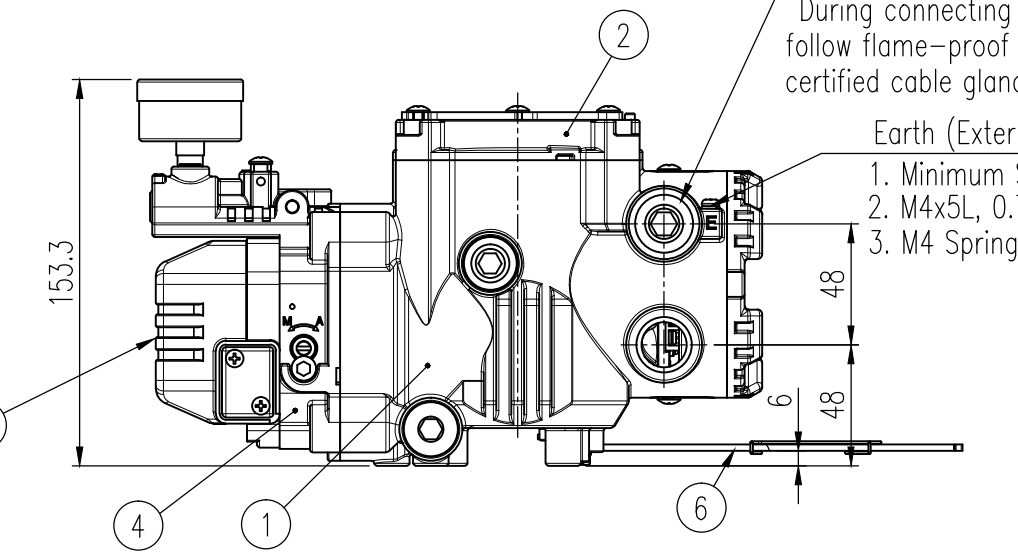


6	Feedback lever	STS304	1	
5	Pilot cover	ALDC12	1	
4	Manifold	ALDC12	1	
3	Terminal cover	ALDC12	1	
2	Base cover	ALDC12	1	
1	Base body	ALDC12	1	
No.	Part name	Material	Q'ty	Remark

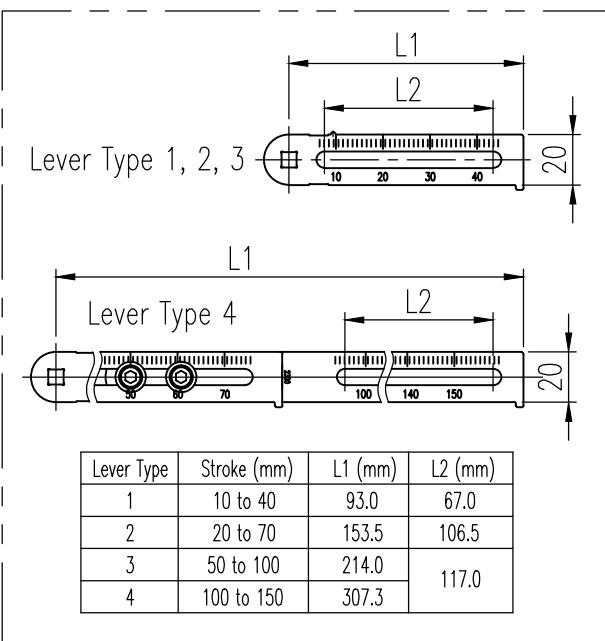
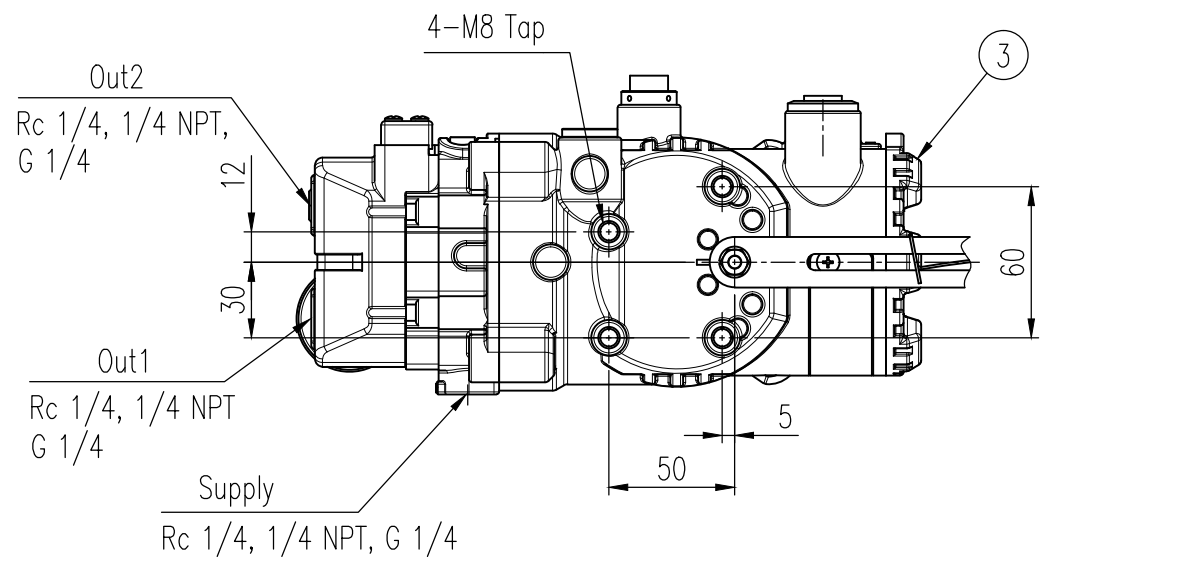
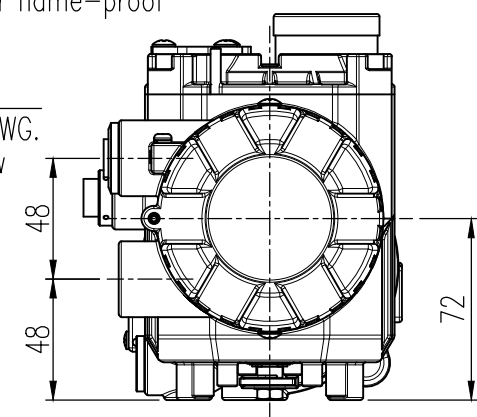
REV.NO.	REVISION DESCRIPTION	DRAWN / DATE	REVIEWED / DATE	APPROVED / DATE
	Previous versions omitted			
△	TYPE 4, 4X(CSA) added.	KCH/20200214	JCS/20200214	KTJ/20200214
△	Drawing updated	KCH/20250117	JCS/20250117	KTJ/20250117

Specifications

Acting Type	<input type="checkbox"/> Single <input type="checkbox"/> Double
Input Signal	4-20 mA DC
Minimum Current Signal	3.6 mA (Standard), 3.7 mA (Analog Output), 3.8 mA (HART or HART+Analog Output)
Impedance	Max. 450 Ohm/20mA DC
Supply Pressure	0.14 to 0.7MPa (1.4 to 7bar)
Explosion Protection	<input type="checkbox"/> Ex d IIC T6/T5 ... <input type="checkbox"/> Non-Explosion proof
Stroke	10 to 150mm
Operating Temp.	<input type="checkbox"/> -30 to 85 °C (-22 to 185 °F) <input type="checkbox"/> -40 to 85 °C (-40 to 185 °F) <input type="checkbox"/> -55 to 85 °C (-67 to 185 °F) : Only Non-Explosion
Ambient Temp. of Explosion proof	NEPSI, ATEX, IECEx T6 : -40 to 70 °C (-40 to 158 °F) FM, CSA, INMETRO ... T5 : -40 to 80 °C (-40 to 176 °F) KCs T6 : -40 to 70 °C (-40 to 158 °F) T5 : -40 to 85 °C (-40 to 185 °F)
Linearity	± 0.5 % F.S.
Hysteresis	± 0.5 % F.S.
Sensitivity	± 0.2 % F.S.
Repeatability	± 0.3 % F.S.
Conduit entry, Air Connection	<input type="checkbox"/> G 1/2, Rc 1/4 <input type="checkbox"/> G 1/2, 1/4 NPT <input type="checkbox"/> G 1/2, G 1/4 <input type="checkbox"/> M20xP1.5, 1/4 NPT <input type="checkbox"/> 1/2 NPT, 1/4 NPT
Gauge Connection	1/8 NPT
Air consumption	Below 2 LPM (Sup. = 0.14 MPa, 1.4 bar)
Flow Capacity	70 LPM (Sup. = 0.14 MPa, 1.4 bar)
Ingress Protection	TYPE 4, 4X(CSA), IP66, (excluding the pressure gauges)
Main Board	MPU: 16 bit Micro Controller A/D Converter: 12 bit D/A Converter: 12 bit
Output Characteristics	Linear, EQ%, Quick Open, User set
Communication	<input type="checkbox"/> None <input type="checkbox"/> HART Communication (HART 7) <input type="checkbox"/> HART with Enhanced Diagnostics & DI / DO
Option	<input type="checkbox"/> None <input type="checkbox"/> 4-20 mA Analog Output <input type="checkbox"/> Limit Switch(2ea) <input type="checkbox"/> 4-20 mA Analog Output + Limit Switch(2ea) 4)
Housing Material	Aluminum
Weight	3.4 kg (7.5 lb)
Lever Type	<input type="checkbox"/> 10 to 40 mm <input type="checkbox"/> 20 to 70 mm <input type="checkbox"/> 50 to 100 mm <input type="checkbox"/> 100 to 150 mm



2-Conduit entry, G 1/2, 1/2 NPT, M20x1.5P
During connecting cable or conduits, it is necessary to follow flame-proof certified procedure or flame-proof certified cable gland or flexible coupling.
Earth (External, Internal)
1. Minimum Size Wire 1mm or 18AWG.
2. M4x5L, 0.7P Round Head Screw
3. M4 Spring washer



SURFACE TEXTURE		PRODUCT NAME		PROJECT NAME	
-		Smart positioner		-	
FINISH TREATMENT		MODEL		TITLE	
-		YT-3400		Linear	
MATERIAL		PROJECTION	SCALE	DRAWING NO.	
-		3rd	1 / 3	YT-3400L-01	
OTHERWISE NOTE		GENERAL TOLERANCE	QUANTITY	SHEET No.	REV.
-		1		1 / 1	3