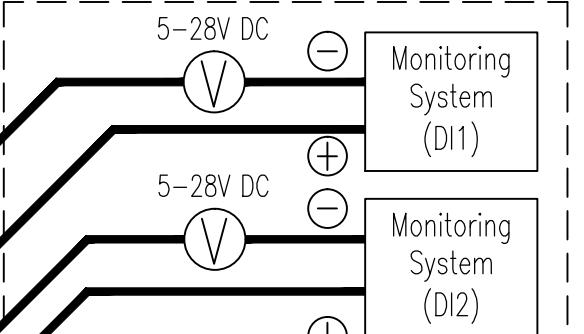
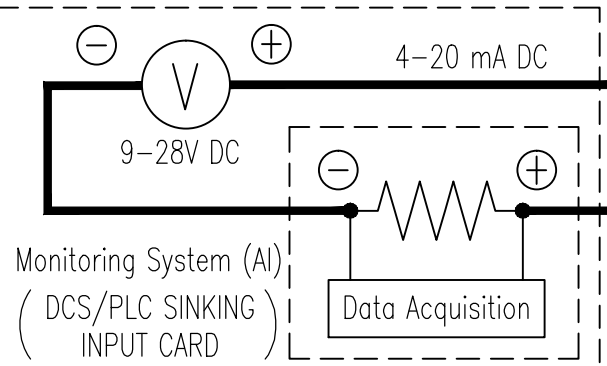
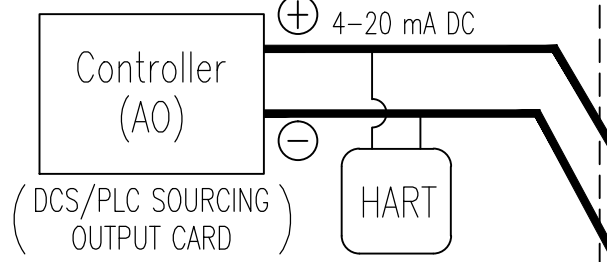
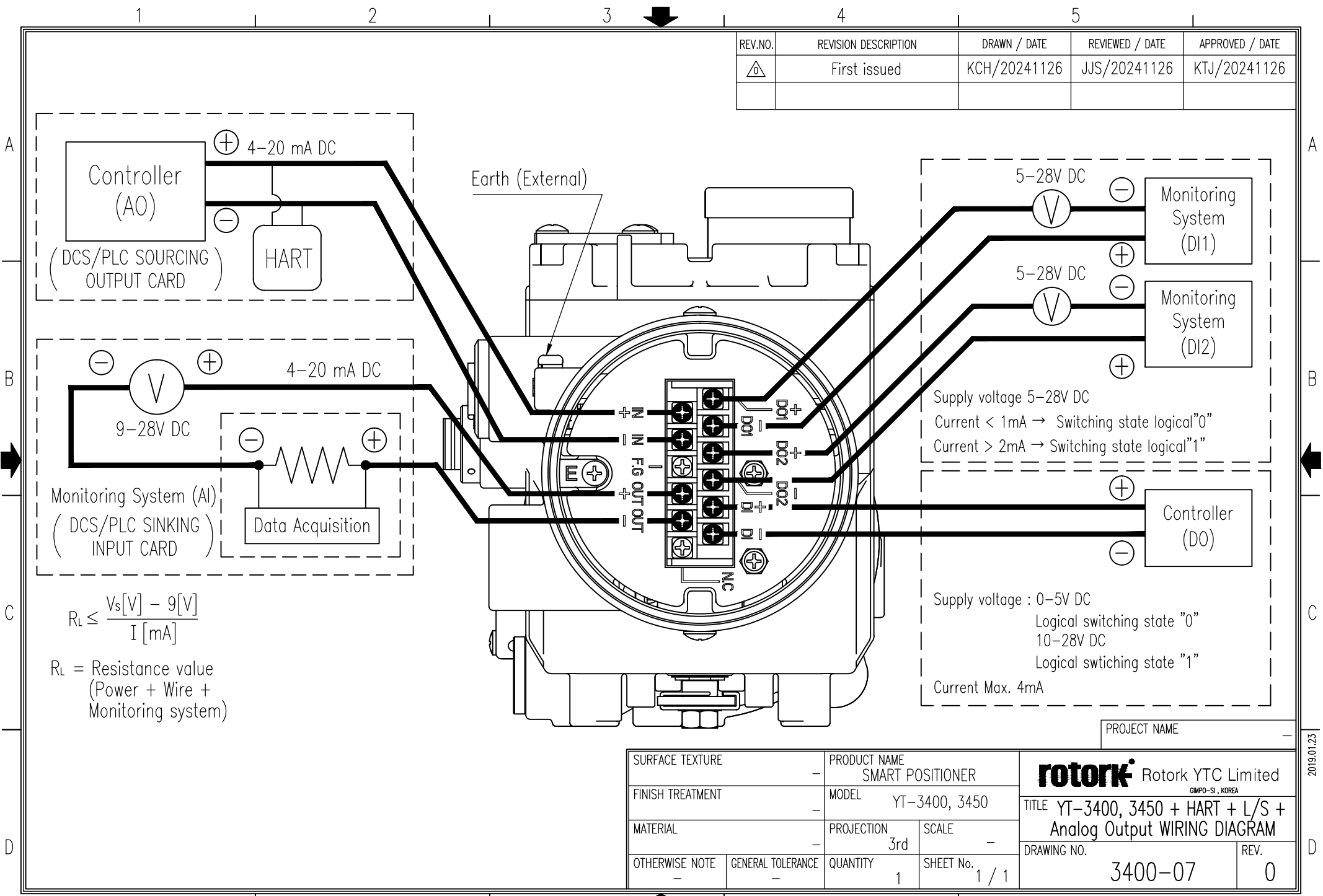
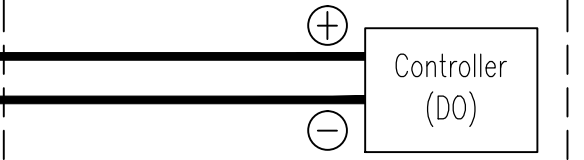


REV.NO.	REVISION DESCRIPTION	DRAWN / DATE	REVIEWED / DATE	APPROVED / DATE
△0	First issued	KCH/20241126	JJS/20241126	KTJ/20241126



Supply voltage 5-28V DC
 Current < 1mA → Switching state logical "0"
 Current > 2mA → Switching state logical "1"



Supply voltage : 0-5V DC
 Logical switching state "0"
 10-28V DC
 Logical switching state "1"
 Current Max. 4mA

$$R_L \leq \frac{V_s[V] - 9[V]}{I [mA]}$$

R_L = Resistance value
 (Power + Wire + Monitoring system)

PROJECT NAME

SURFACE TEXTURE		PRODUCT NAME		Rotork YTC Limited <small>GMPO-SI, KOREA</small>	
-		SMART POSITIONER			
FINISH TREATMENT		MODEL		TITLE YT-3400, 3450 + HART + L/S + Analog Output WIRING DIAGRAM	
-		YT-3400, 3450			
MATERIAL		PROJECTION	SCALE	DRAWING NO. 3400-07	
-		3rd	-		
OTHERWISE NOTE	GENERAL TOLERANCE	QUANTITY	SHEET No.	REV. 0	
-	-	1	1 / 1		