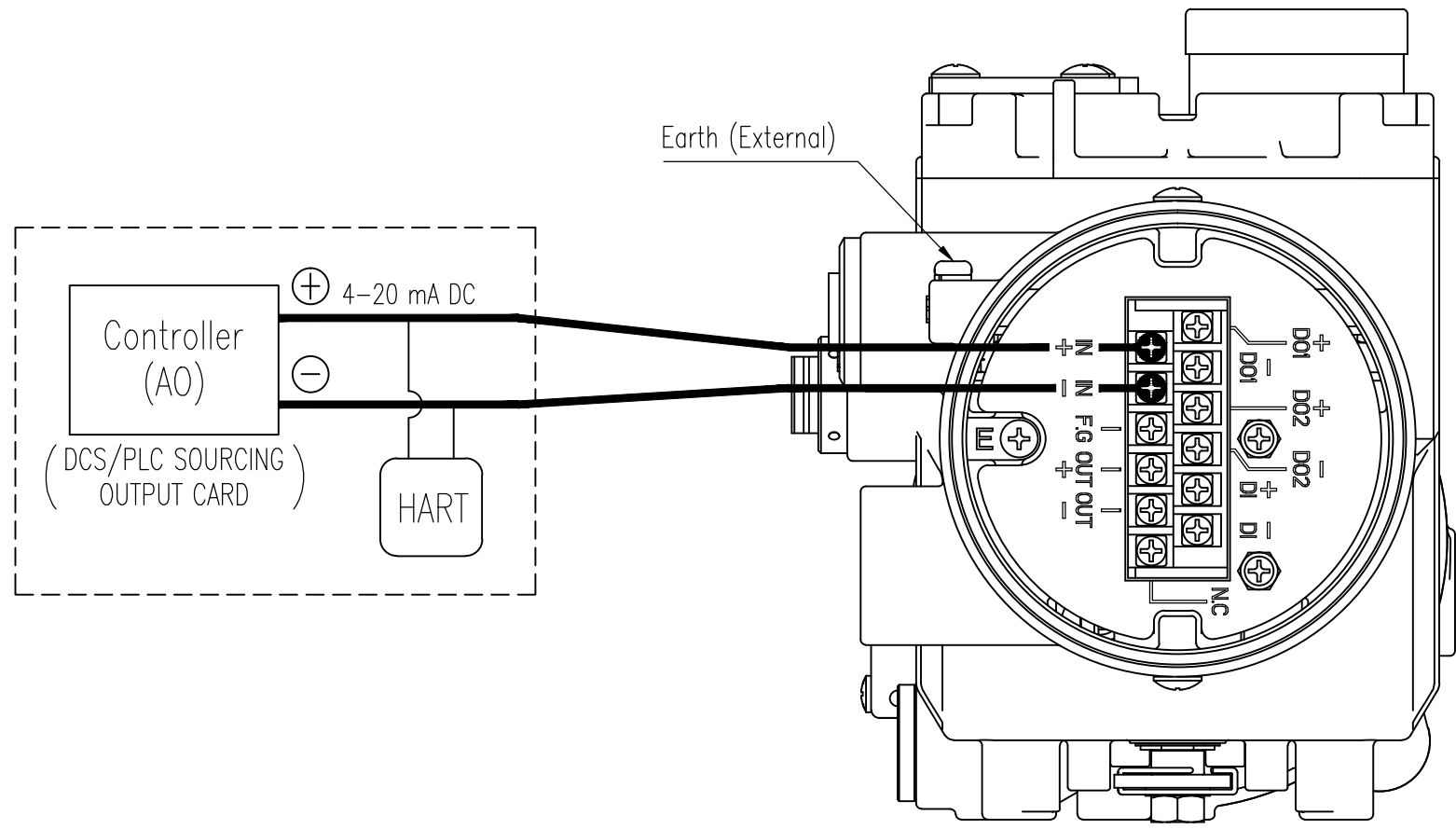


| REV.NO. | REVISION DESCRIPTION | DRAWN / DATE | REVIEWED / DATE | APPROVED / DATE |
|---------|-----------------------------|--------------|-----------------|-----------------|
| | Previous versions omitted | | | |
| 3 | Drawing title block updated | KCH/20190806 | JJS/20190806 | KTJ/20190806 |
| 4 | TERMINAL PCB CHANGED | KYJ/20240215 | JJS/20240215 | KTJ/20240215 |



PROJECT NAME _____

| | | | | | |
|------------------|-------------------|------------------|-----------|---|--|
| SURFACE TEXTURE | | PRODUCT NAME | | Rotork YTC Limited <small>GMPO-SI, KOREA</small> | |
| - | | SMART POSITIONER | | | |
| FINISH TREATMENT | | MODEL | | TITLE | |
| - | | YT-3400, 3450 | | YT-3400, 3450 + HART WIRING DIAGRAM | |
| MATERIAL | | PROJECTION | SCALE | DRAWING NO. | |
| - | | 3rd | - | 3400-05 | |
| OTHERWISE NOTE | GENERAL TOLERANCE | QUANTITY | SHEET No. | REV. | |
| - | - | 1 | 1 / 1 | 4 | |

2019.01.23