

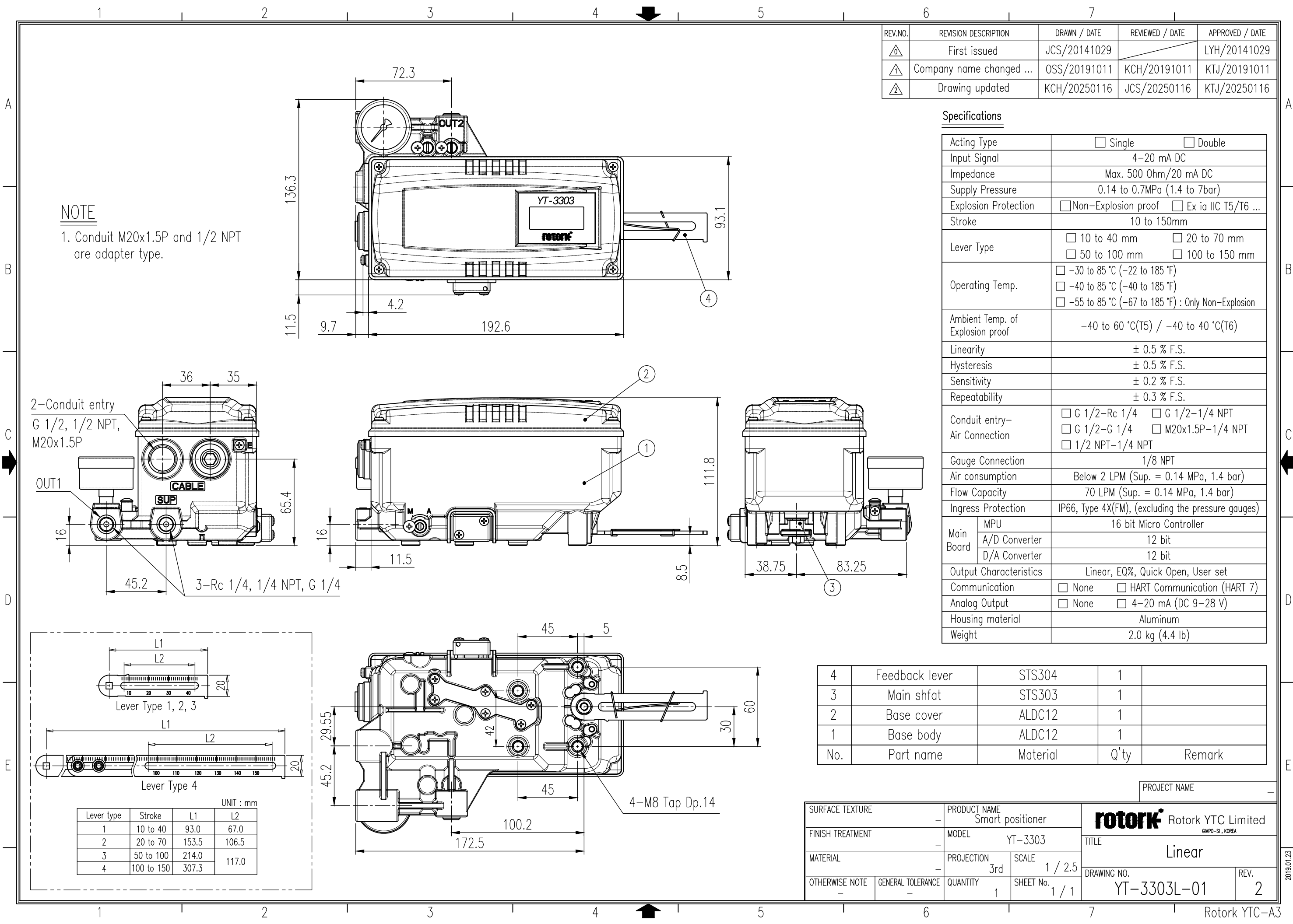
REV.NO.	REVISION DESCRIPTION	DRAWN / DATE	REVIEWED / DATE	APPROVED / DATE
△	First issued	JCS/20141029		LYH/20141029
△	Company name changed ...	OSS/20191011	KCH/20191011	KTJ/20191011
△	Drawing updated	KCH/20250116	JCS/20250116	KTJ/20250116

**Specifications**

Acting Type	<input type="checkbox"/> Single <input type="checkbox"/> Double
Input Signal	4-20 mA DC
Impedance	Max. 500 Ohm/20 mA DC
Supply Pressure	0.14 to 0.7MPa (1.4 to 7bar)
Explosion Protection	<input type="checkbox"/> Non-Explosion proof <input type="checkbox"/> Ex ia IIC T5/T6 ...
Stroke	10 to 150mm
Lever Type	<input type="checkbox"/> 10 to 40 mm <input type="checkbox"/> 20 to 70 mm <input type="checkbox"/> 50 to 100 mm <input type="checkbox"/> 100 to 150 mm
Operating Temp.	<input type="checkbox"/> -30 to 85 °C (-22 to 185 °F) <input type="checkbox"/> -40 to 85 °C (-40 to 185 °F) <input type="checkbox"/> -55 to 85 °C (-67 to 185 °F) : Only Non-Explosion
Ambient Temp. of Explosion proof	-40 to 60 °C(T5) / -40 to 40 °C(T6)
Linearity	± 0.5 % F.S.
Hysteresis	± 0.5 % F.S.
Sensitivity	± 0.2 % F.S.
Repeatability	± 0.3 % F.S.
Conduit entry- Air Connection	<input type="checkbox"/> G 1/2-Rc 1/4 <input type="checkbox"/> G 1/2-1/4 NPT <input type="checkbox"/> G 1/2-G 1/4 <input type="checkbox"/> M20x1.5P-1/4 NPT <input type="checkbox"/> 1/2 NPT-1/4 NPT
Gauge Connection	1/8 NPT
Air consumption	Below 2 LPM (Sup. = 0.14 MPa, 1.4 bar)
Flow Capacity	70 LPM (Sup. = 0.14 MPa, 1.4 bar)
Ingress Protection	IP66, Type 4X(FM), (excluding the pressure gauges)
Main Board	MPU: 16 bit Micro Controller A/D Converter: 12 bit D/A Converter: 12 bit
Output Characteristics	Linear, EQ%, Quick Open, User set
Communication	<input type="checkbox"/> None <input type="checkbox"/> HART Communication (HART 7)
Analog Output	<input type="checkbox"/> None <input type="checkbox"/> 4-20 mA (DC 9-28 V)
Housing material	Aluminum
Weight	2.0 kg (4.4 lb)

**NOTE**

1. Conduit M20x1.5P and 1/2 NPT are adapter type.



4	Feedback lever	STS304	1	
3	Main shaft	STS303	1	
2	Base cover	ALDC12	1	
1	Base body	ALDC12	1	
No.	Part name	Material	Q'ty	Remark

UNIT : mm

Lever type	Stroke	L1	L2
1	10 to 40	93.0	67.0
2	20 to 70	153.5	106.5
3	50 to 100	214.0	117.0
4	100 to 150	307.3	

SURFACE TEXTURE		PRODUCT NAME		PROJECT NAME	
-		Smart positioner		-	
FINISH TREATMENT		MODEL		TITLE	
-		YT-3303		Linear	
MATERIAL		PROJECTION	SCALE	DRAWING NO.	
-		3rd	1 / 2.5	YT-3303L-01	
OTHERWISE NOTE		QUANTITY	SHEET No.	REV.	
-		1	1 / 1	2	