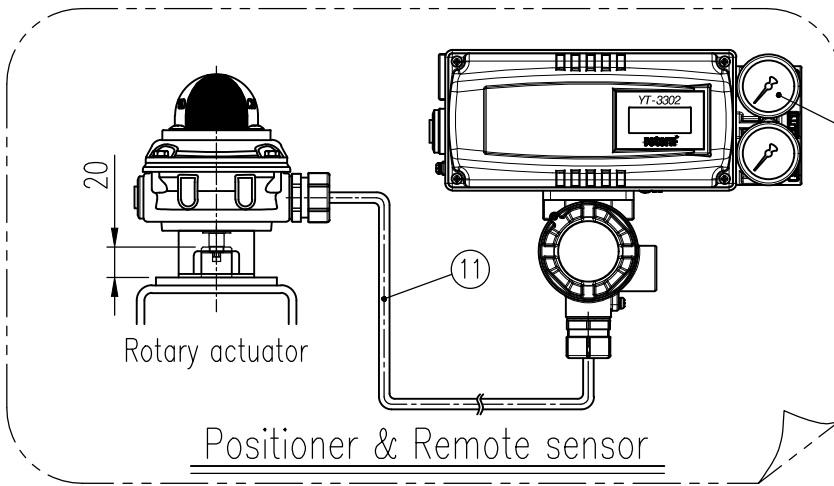
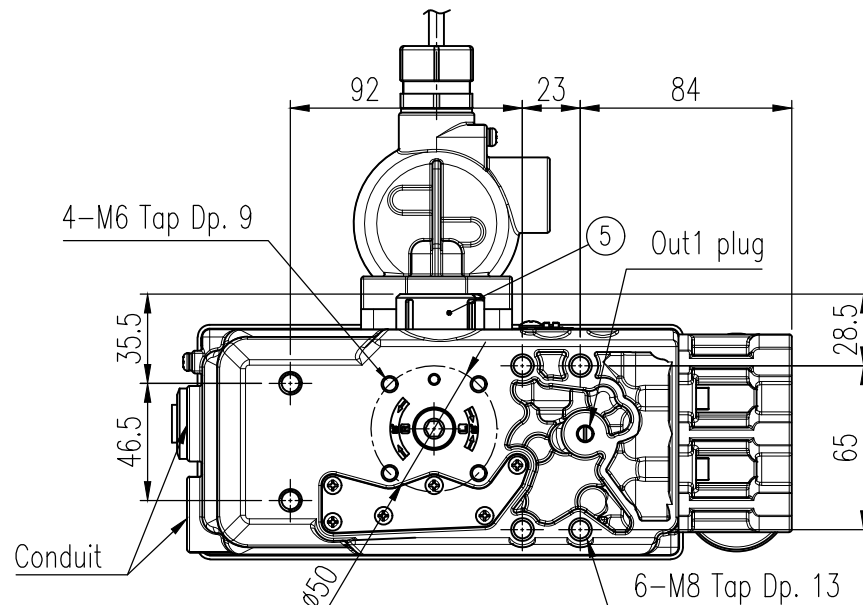
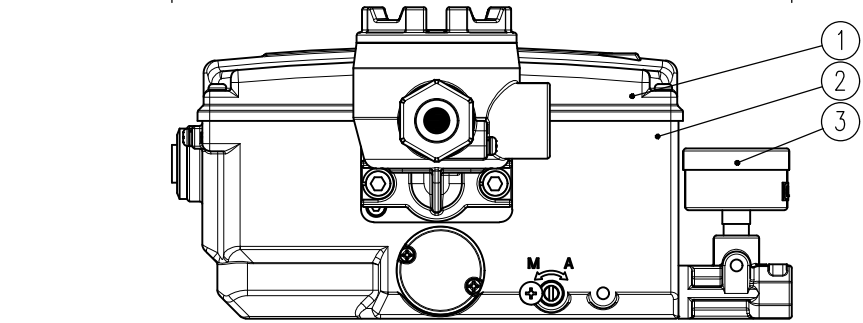
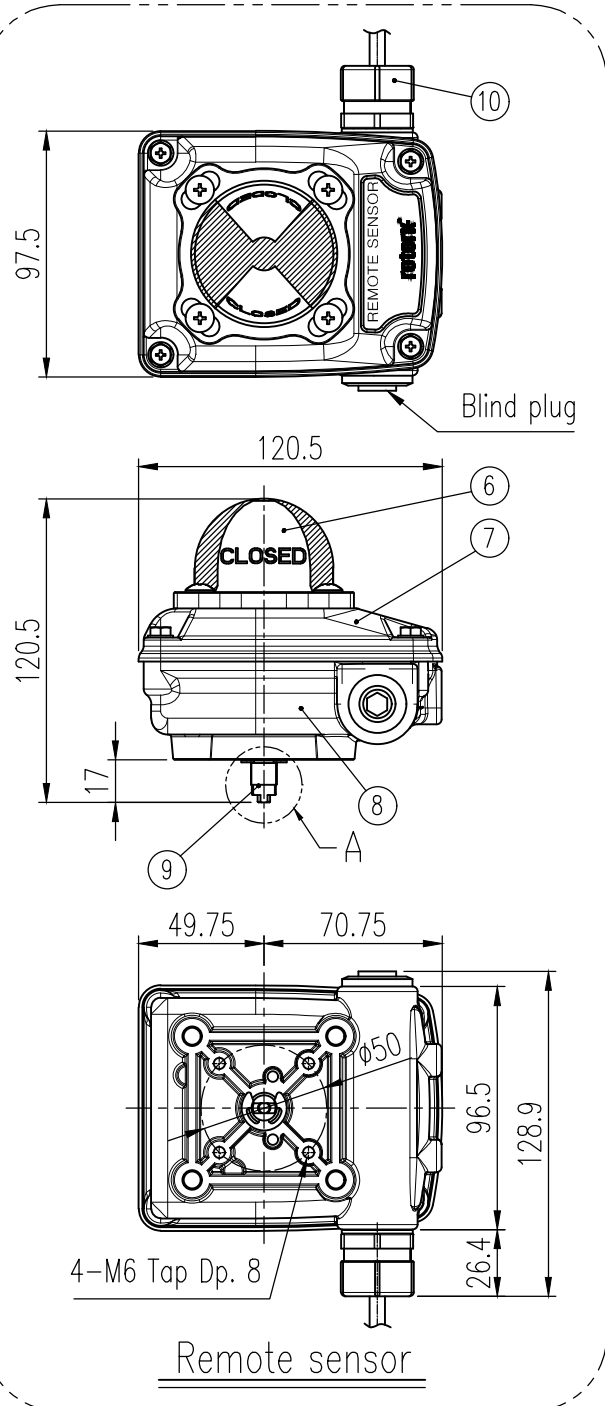
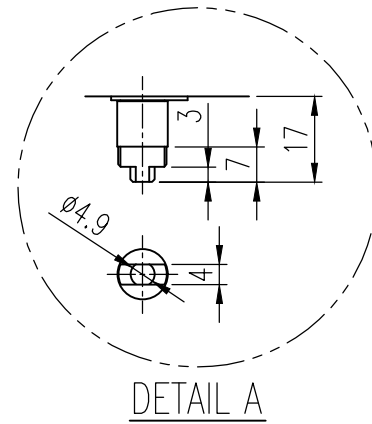
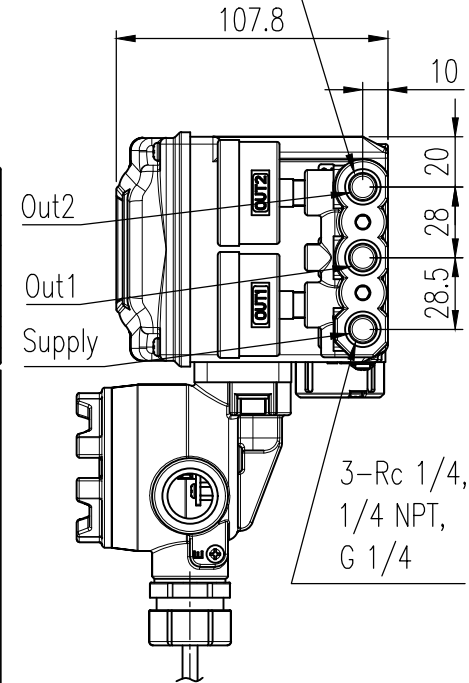
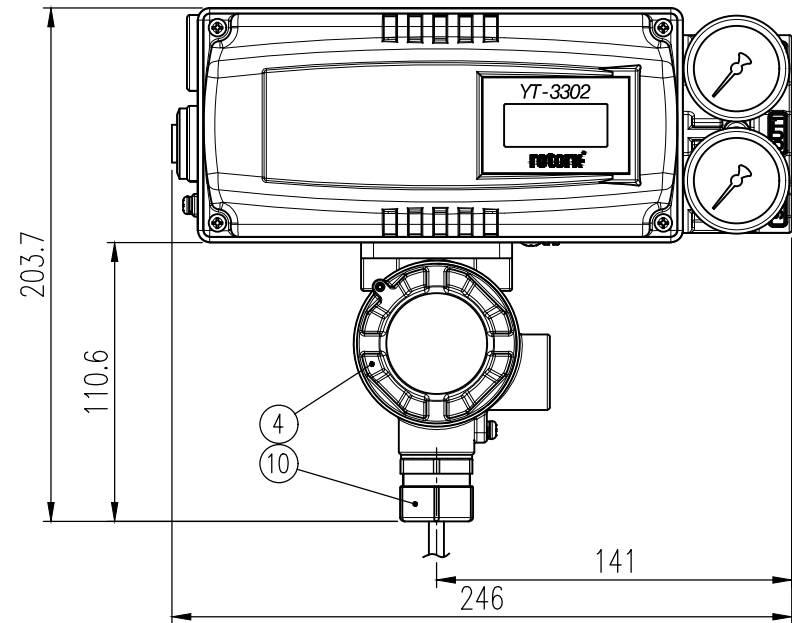


No.	PART NAME	MATERIAL	Q'ty	REMARK
1	Base cover	ALDC12	1	Positioner
2	Base body	ALDC12	1	
3	Pressure gauge	STS304	1 or 2	
4	Junction box	AL, NBR	1	
5	Vent cover	PC	1	Remote sensor
6	Indicator dome	PC	1	
7	Base cover	ALDC12	1	
8	Base body	ALDC12	1	
9	Main shaft	STS303	1	
10	Cable gland	-	2	
11	Cable	-	1	

NOTE

1. Conduit M20x1.5P and 1/2 NPT are adapter type.

This Out2 port will be blocked by a plug for single acting type



This pressure gauge will be replaced with a plug for single acting type.

REV.NO.	REVISION DESCRIPTION	DRAWN / DATE	REVIEWED / DATE	APPROVED / DATE
	Previous versions omitted			
△	To remote sensor ...	KCH/20241002	JCS/20241002	KTJ/20241002
△	Drawing updated	KCH/20250116	JCS/20250116	KTJ/20250116

Specifications

Motion Type	Rotary	
Housing Material	Aluminum	
Acting Type	<input type="checkbox"/> Single	<input type="checkbox"/> Double
Input Signal	4-20 mA DC	
Minimum Current Signal	3.2 mA (Standard), 3.6 mA (Analog Output), 3.8 mA (HART or Analog Output+HART)	
Noise Range	50 mVp.p	
Supply Pressure	0.14 to 0.7 MPa (1.4 to 7 bar, 20 to 102 psi)	
Stroke	55 to 110°	
Cable length	<input type="checkbox"/> 5 m <input type="checkbox"/> 10 m <input type="checkbox"/> 15 m <input type="checkbox"/> 20 m	
Impedance	Max. 500 Ohm @ 20 mA DC	
Conduit entry, Air Connection	<input type="checkbox"/> G 1/2, Rc 1/4 <input type="checkbox"/> G 1/2, 1/4 NPT <input type="checkbox"/> G 1/2, G 1/4 <input type="checkbox"/> M20x1.5P, 1/4 NPT <input type="checkbox"/> 1/2 NPT, 1/4 NPT	
Gauge Connection	1/8 NPT	
Explosion Protection	<input type="checkbox"/> Non-Explosion proof <input type="checkbox"/> Ex ia IIC T5/T6 ... <input type="checkbox"/> Standard : -30 to 85 °C (-22 to 185 °F) <input type="checkbox"/> Low temp. : -40 to 85 °C (-40 to 185 °F) <input type="checkbox"/> Arctic temp. : -55 to 85 °C (-67 to 185 °F) (only Non-Explosion)	
Operating Temp.	Positioner	
	Sensor	-55 to 120 °C (-67 to 248 °F)
Ambient Temp. of Explosion proof	-40 to 60 °C(T5) / -40 to 40 °C(T6)	
Linearity	± 0.5 % F.S.	
Hysteresis	± 0.5 % F.S.	
Sensitivity	± 0.2 % F.S.	
Repeatability	± 0.3 % F.S.	
Air consumption	Below 2 LPM (Sup. = 0.14 MPa, 1.4 bar)	
Flow Capacity	70 LPM (Sup. = 0.14 MPa, 1.4 bar)	
Ingress Protection	Positioner	IP54, Type 4X(FM) (excluding the pressure gauges)
	Sensor	IP66
Output Characteristics	Linear, EQ%, Quick Open, User set	
Vibration	No Resonance up to 100 Hz @ 6 G	
Humidity	5 to 95 % RH @ 40 °C	
Main Board	MPU	16 bit Micro Controller
	A/D Converter	12 bit
	D/A Converter	12 bit
Communication	<input type="checkbox"/> None <input type="checkbox"/> HART Communication (HART 7)	
Analog Output	<input type="checkbox"/> None <input type="checkbox"/> 4-20 mA (DC 9 to 28 V)	
Weight	Positioner	2.5 kg (5.5 lb)
	Sensor	1 kg (2.1 lb)
	Cable (5 m)	0.6 kg (1.3 lb)

SURFACE TEXTURE		PRODUCT NAME		PROJECT NAME	
-		Smart positioner		-	
FINISH TREATMENT		MODEL		TITLE	
-		YT-3302		Rotary type	
MATERIAL		PROJECTION	SCALE	DRAWING NO.	
-		3rd	1 / 3	YT-3302R-01	
OTHERWISE NOTE		QUANTITY	SHEET No.	REV.	
-		1	1 / 1	3	