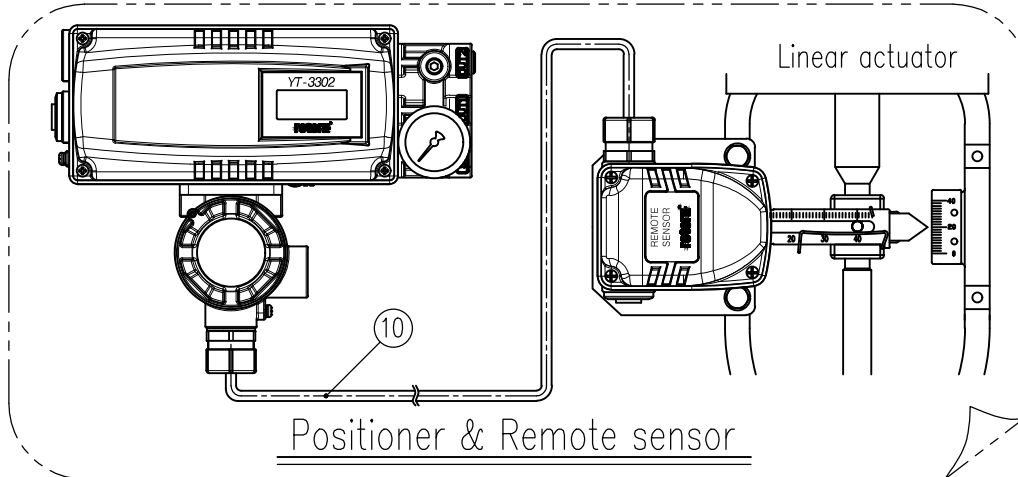
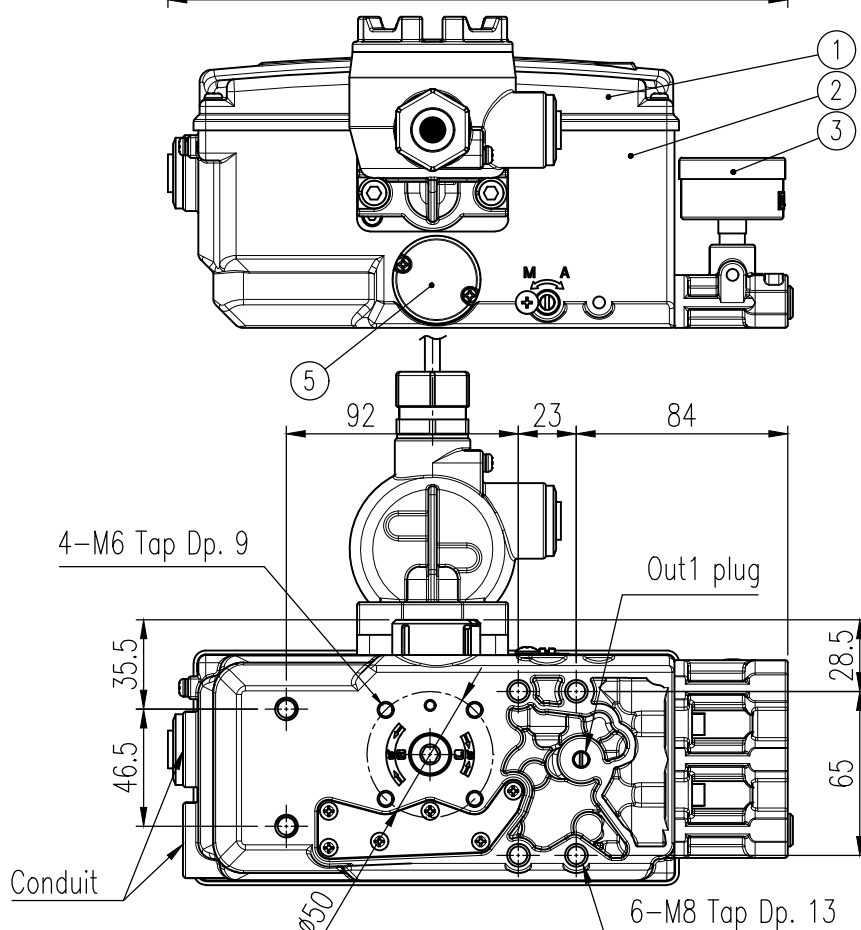
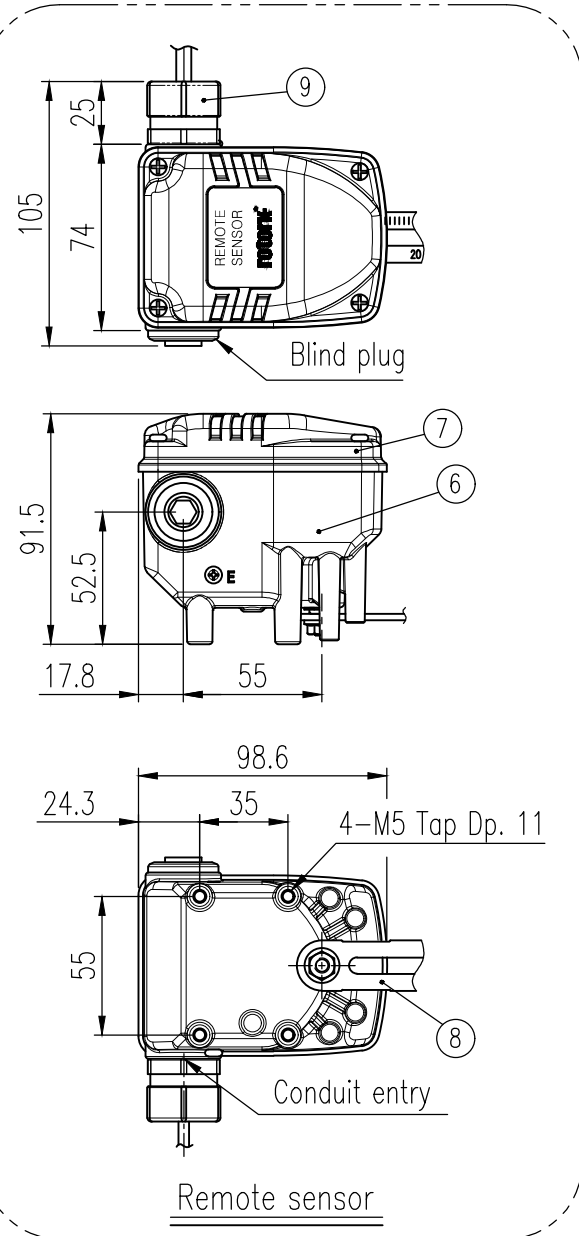
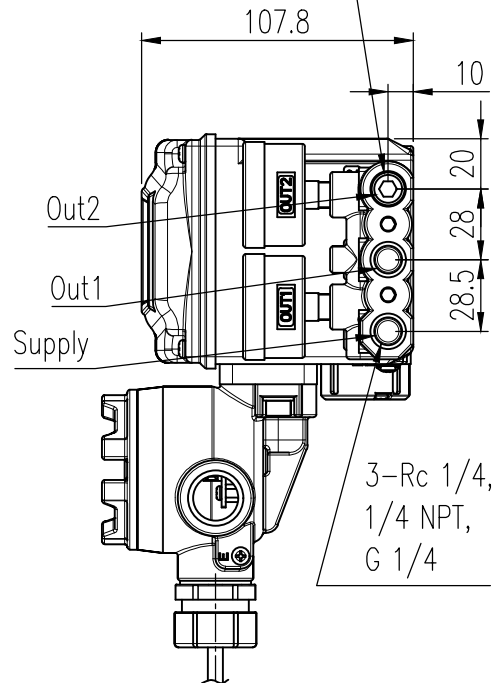
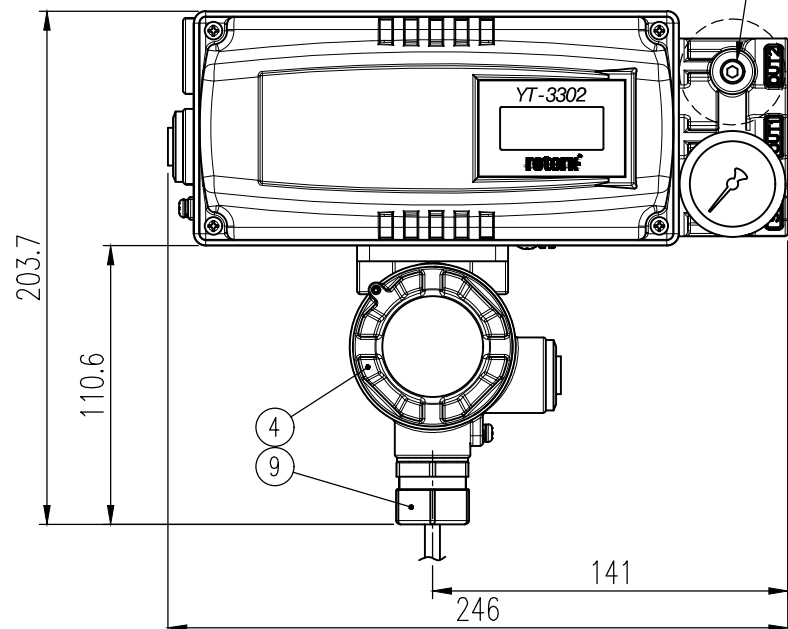


No.	PART NAME	MATERIAL	Q'ty	REMARK
1	Base cover	ALDC12	1	Positioner
2	Base body	ALDC12	1	
3	Pressure gauge	STS304	1 or 2	
4	Junction box	ALDC12	1	
5	Vent cover	PC	1	
6	Base body	ALDC12	1	Remote sensor
7	Base cover	ALDC12	1	
8	Feedback lever	STS304	1	
9	Cable gland	-	2	
10	Cable	-	1	

This plug will not be attached for double acting type

This plug will be replaced with a pressure gauge for double acting type.

REV.NO.	REVISION DESCRIPTION	DRAWN / DATE	REVIEWED / DATE	APPROVED / DATE
	Previous versions omitted			
△	To remote sensor ...	KCH/20241002	JCS/20241002	KTJ/20241002
△	Drawing updated	KCH/20250116	JCS/20250116	KTJ/20250116



Specifications

Motion Type	Linear
Housing Material	Aluminum
Acting Type	<input type="checkbox"/> Single <input type="checkbox"/> Double
Input Signal	4-20 mA DC
Minimum Current Signal	3.2 mA (Standard), 3.6 mA (Analog Output), 3.8 mA (HART or Analog Output+HART)
Noise Range	50 mVp.p
Supply Pressure	0.14 to 0.7 MPa (1.4 to 7 bar, 20 to 102 psi)
Stroke	10 to 150 mm (0.4" to 6")
Lever Type	<input type="checkbox"/> 10 to 40 mm <input type="checkbox"/> 20 to 70mm <input type="checkbox"/> 50 to 100mm <input type="checkbox"/> 100 to 150mm
Cable length	<input type="checkbox"/> 5 m <input type="checkbox"/> 10 m <input type="checkbox"/> 15 m <input type="checkbox"/> 20 m
Impedance	Max. 500 Ohm @ 20 mA DC
Conduit entry, Air Connection	<input type="checkbox"/> G 1/2, Rc 1/4 <input type="checkbox"/> G 1/2, 1/4 NPT <input type="checkbox"/> G 1/2, 1/4 NPT <input type="checkbox"/> M20x1.5P, 1/2 NPT, 1/4 NPT
Gauge Connection	1/8 NPT
Explosion Protection	<input type="checkbox"/> Non-Explosion proof <input type="checkbox"/> Ex ia IIC T5/T6 ...
Operating Temp.	Positioner
	Standard : -30 to 85 °C (-22 to 185 °F)
	Low temp. : -40 to 85 °C (-40 to 185 °F)
Sensor	Arctic temp. : -55 to 85 °C (-67 to 185 °F) (only Non-Explosion)
Ambient Temp. of Explosion proof	-40 to 60 °C(T5) / -40 to 40 °C(T6)
Linearity	± 0.5 % F.S.
Hysteresis	± 0.5 % F.S.
Sensitivity	± 0.2 % F.S.
Repeatability	± 0.3 % F.S.
Air consumption	Below 2 LPM (Sup. = 0.14 MPa, 1.4 bar)
Flow Capacity	70 LPM (Sup. = 0.14 MPa, 1.4 bar)
Ingress Protection	Positioner
	Sensor
Output Characteristics	IP54, Type 4X(FM) (excluding the pressure gauges)
Vibration	IP66
Humidity	Linear, EQ%, Quick Open, User set
Main Board	MPU
	A/D Converter
	D/A Converter
Communication	16 bit Micro Controller
Analog Output	12 bit
Weight	Positioner
	Sensor
	Cable (5 m)
	None <input type="checkbox"/> HART Communication (HART 7) <input type="checkbox"/>
	None <input type="checkbox"/> 4-20 mA (DC 9 to 28 V) <input type="checkbox"/>
	2.5 kg (5.5 lb)
	0.6 kg (1.2 lb)
	0.6 kg (1.3 lb)

NOTE

1. Conduit M20x1.5P and 1/2 NPT are adapter type.

SURFACE TEXTURE	PRODUCT NAME	rotork Rotork YTC Limited GMP0-SI, KOREA
FINISH TREATMENT	Smart positioner	
MATERIAL	MODEL	TITLE
OTHERWISE NOTE	YT-3302	
GENERAL TOLERANCE	PROJECTION	DRAWING NO.
	3rd	
	SCALE	REV.
	1 / 3	
	QUANTITY	YT-3302L-01
	SHEET No.	3
	1 / 1	