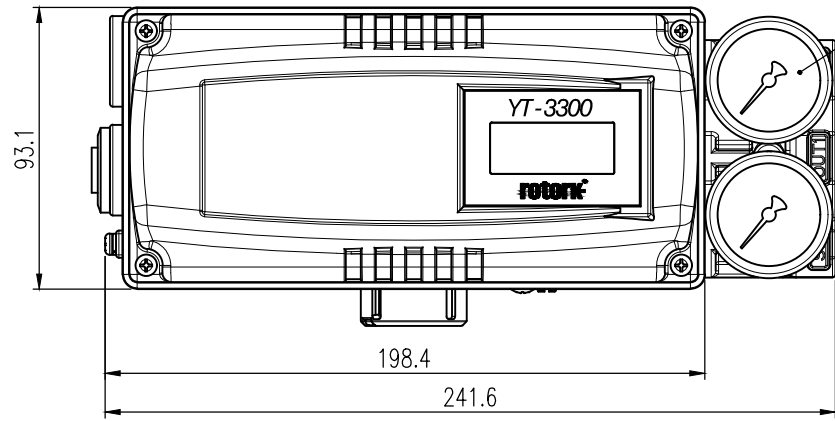
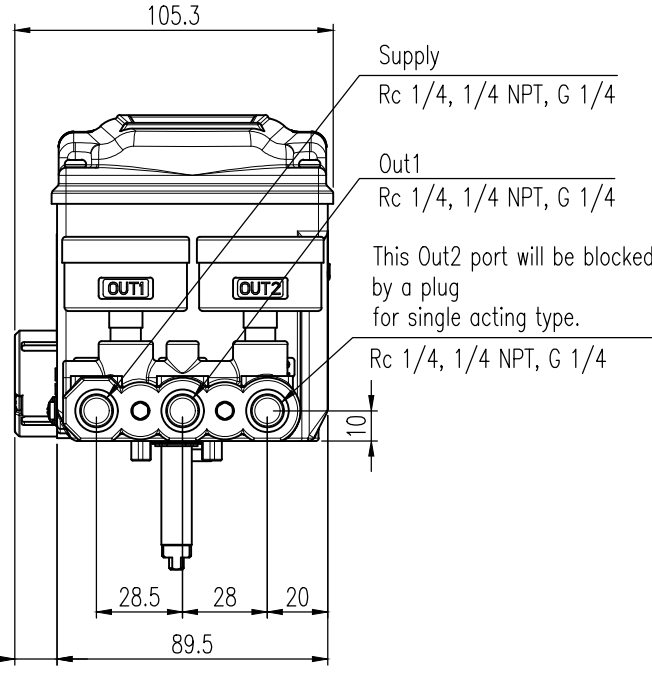
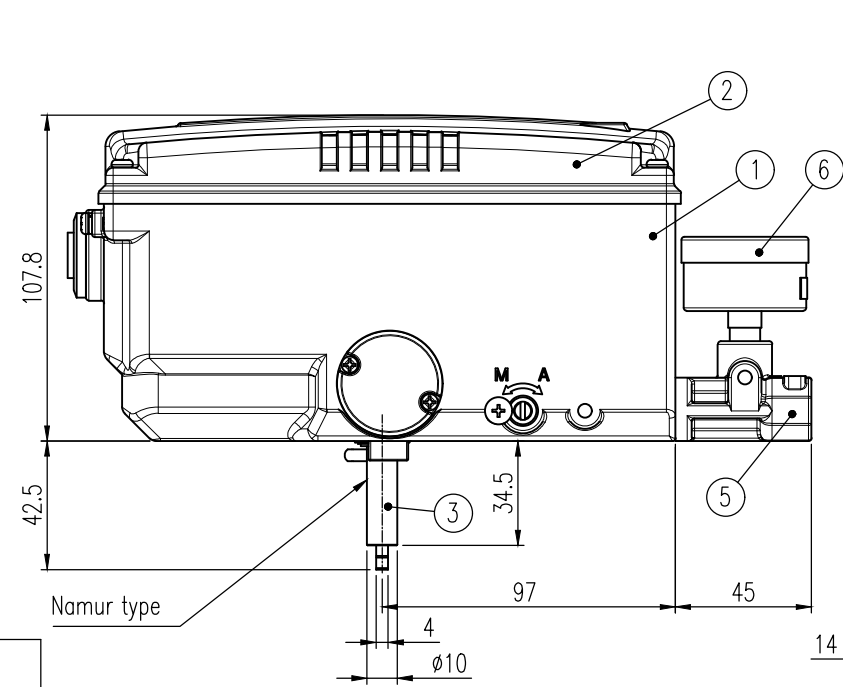
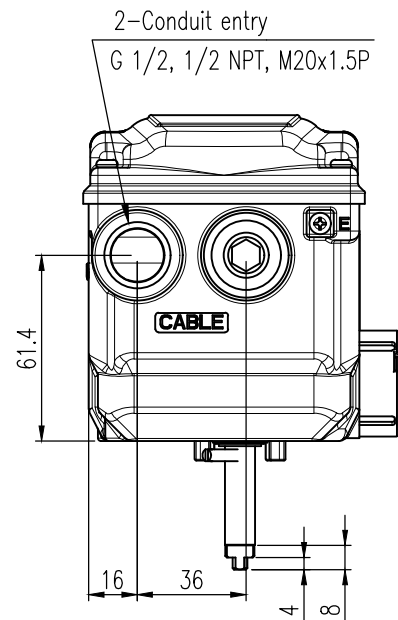


REV.NO.	REVISION DESCRIPTION	DRAWN / DATE	REVIEWED / DATE	APPROVED / DATE
	Previous versions omitted			
△	Drawing arrangement	OSS/20191010	KCH/20191010	KTJ/20191010
△	Drawing updated	KCH/20250116	JCS/20250116	KTJ/20250116



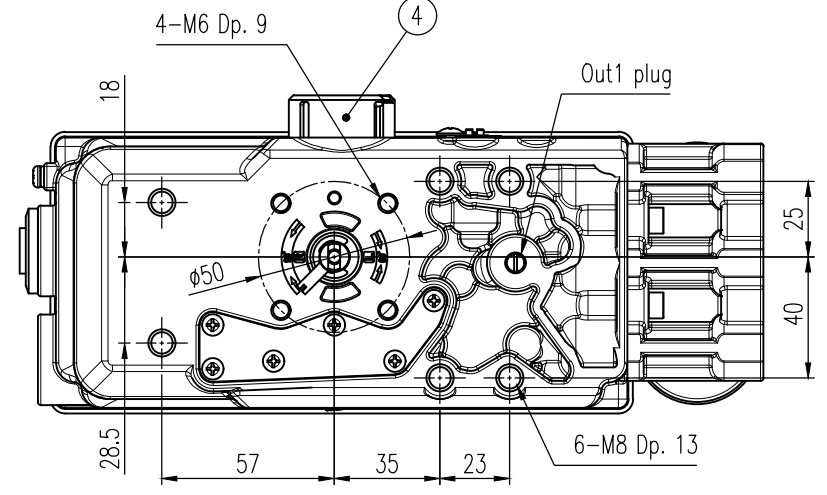
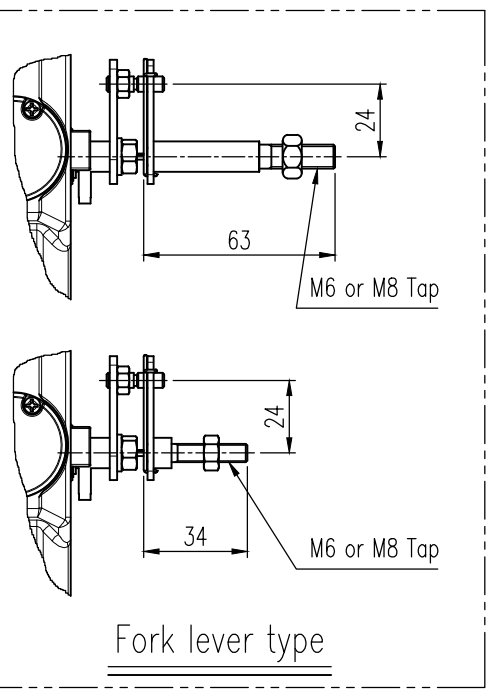
This pressure gauge will be replaced with a plug for single acting type.



Specifications

Acting Type	<input type="checkbox"/> Single <input type="checkbox"/> Double	
Input Signal	4-20 mA DC	
Impedance	Max. 500 Ohm/20 mA DC	
Supply Pressure	0.14 to 0.7MPa (1.4 to 7bar)	
Explosion Protection	<input type="checkbox"/> Non-Explosion proof <input type="checkbox"/> Ex ia IIC T5/T6 ...	
Stroke	55 to 110'	
Feedback connection type	<input type="checkbox"/> M6x34L <input type="checkbox"/> M6x63L <input type="checkbox"/> NAMUR <input type="checkbox"/> M8x34L <input type="checkbox"/> M8x63L	
Operating Temp.	<input type="checkbox"/> -30 to 85 °C (-22 to 185 °F) <input type="checkbox"/> -40 to 85 °C (-40 to 185 °F) <input type="checkbox"/> -55 to 85 °C (-67 to 185 °F) : Only Non-Explosion	
Ambient Temp. of Explosion proof	-40 to 60 °C(T5) / -40 to 40 °C(T6)	
Linearity	± 0.5 % F.S.	
Hysteresis	± 0.5 % F.S.	
Sensitivity	± 0.2 % F.S.	
Repeatability	± 0.3 % F.S.	
Conduit entry, Air Connection	<input type="checkbox"/> G 1/2, Rc 1/4 <input type="checkbox"/> G 1/2, 1/4 NPT <input type="checkbox"/> G 1/2, G 1/4 <input type="checkbox"/> M20x1.5P, 1/4 NPT <input type="checkbox"/> 1/2 NPT, 1/4 NPT	
Gauge Connection	1/8 NPT	
Air consumption	Below 2 LPM (Sup. = 0.14 MPa, 1.4 bar)	
Flow Capacity	70 LPM (Sup. = 0.14 MPa, 1.4 bar)	
Ingress Protection	IP66, Type 4X(FM), (excluding the pressure gauges)	
Main Board	MPU	16 bit Micro Controller
	A/D Converter	12 bit
	D/A Converter	12 bit
Output Characteristics	Linear, EQ%, Quick Open, User set	
Communication	<input type="checkbox"/> None <input type="checkbox"/> HART Communication (HART 7)	
Analog Output	<input type="checkbox"/> None <input type="checkbox"/> 4-20 mA (DC 9-28 V)	
Housing material	Aluminum	
Weight	2.0 kg (4.4 lb)	

6	Pressure gauge	STS304	2	
5	Gauge block	ALDC12	2	
4	Vent cover	PC	1	
3	Main shaft	STS303	1	
2	Base cover	ALDC12	1	
1	Base body	ALDC12	1	
No.	Part name	Material	Q'ty	Remark



SURFACE TEXTURE	PRODUCT NAME	Smart positioner		rotork Rotork YTC Limited GMPQ-SI, KOREA
FINISH TREATMENT	MODEL	YT-3300R		
MATERIAL	PROJECTION	SCALE	TITLE	
OTHERWISE NOTE	GENERAL TOLERANCE	QUANTITY	Rotary, Standard	
		1	DRAWING NO. YT-3300R-1	
			REV. 3	