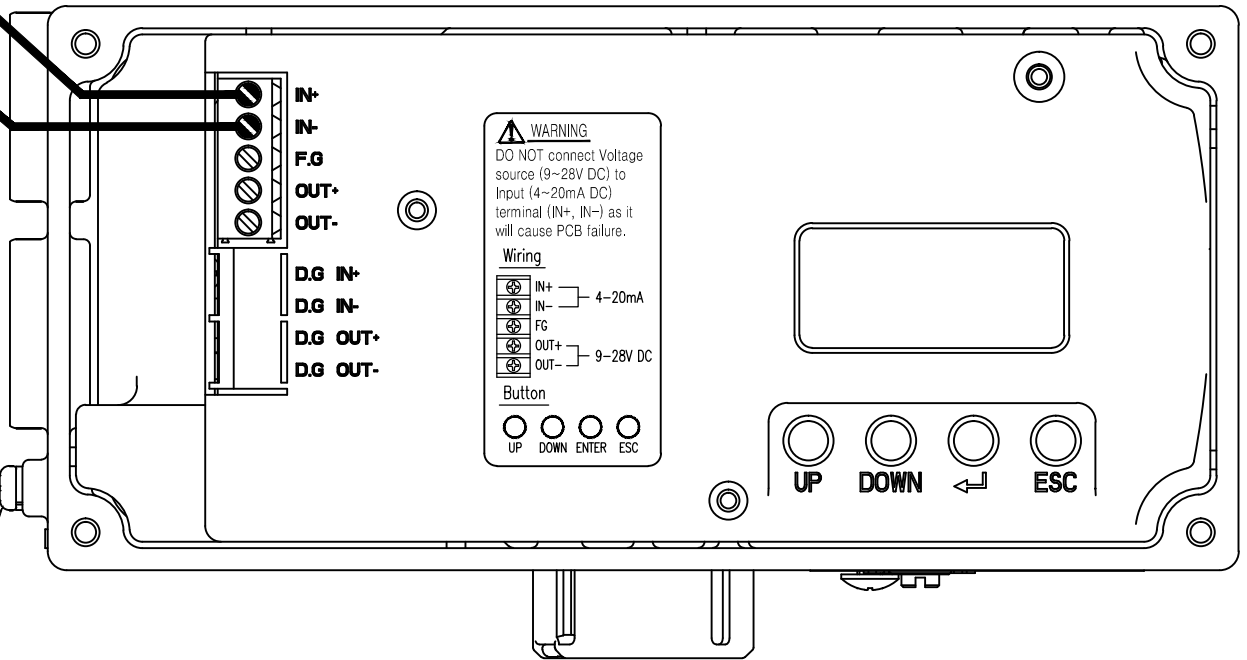
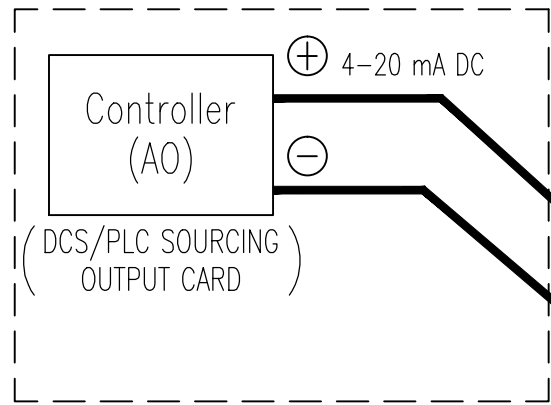


REV.NO.	REVISION DESCRIPTION	DRAWN / DATE	REVIEWED / DATE	APPROVED / DATE
	Previous versions omitted			
3	Drawing title block updated	KCH/20190801	JJS/20190801	KTJ/20190801
4	Number range dispys changed	KYJ/20241119	JJS/20241119	KTJ/20241119



Earth (External)

PROJECT NAME _____

SURFACE TEXTURE		PRODUCT NAME		Rotork YTC Limited <small>GMPO-SI, KOREA</small>	
FINISH TREATMENT		MODEL			
MATERIAL		PROJECTION	SCALE	TITLE	
OTHERWISE NOTE		GENERAL TOLERANCE	QUANTITY	DRAWING NO.	
				3300-01	
		SHEET No.		REV.	
		1 / 1		4	