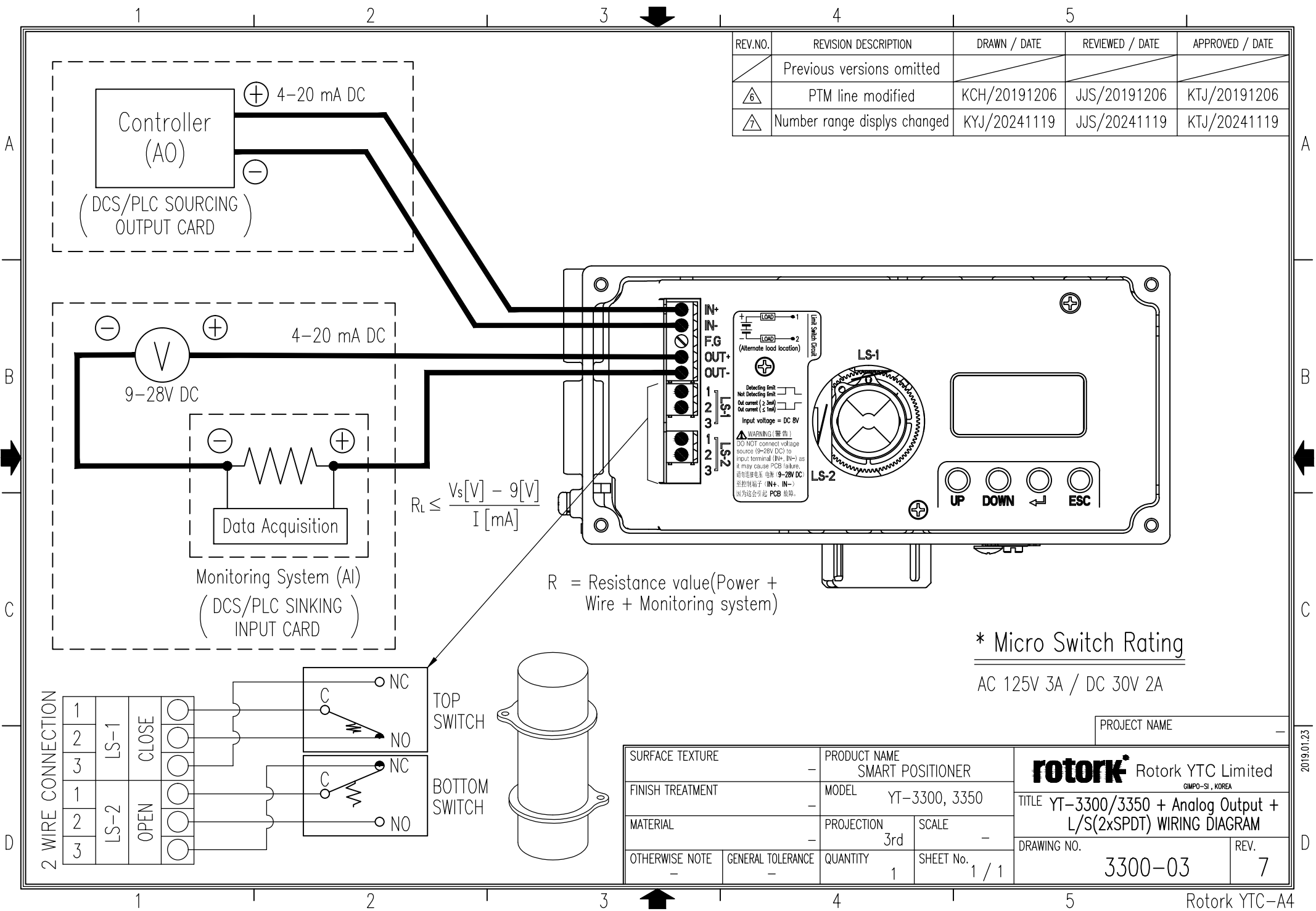


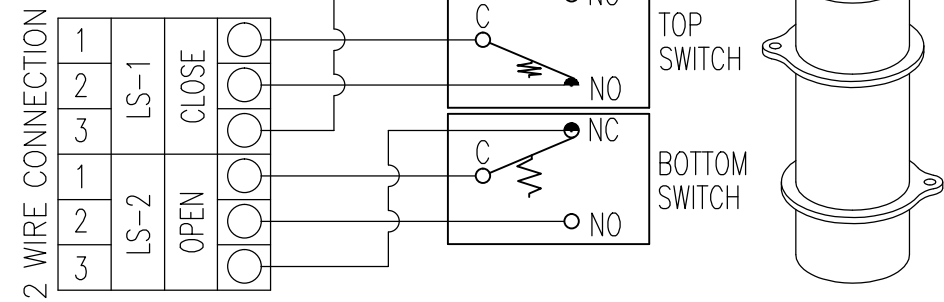
REV.NO.	REVISION DESCRIPTION	DRAWN / DATE	REVIEWED / DATE	APPROVED / DATE
	Previous versions omitted			
△6	PTM line modified	KCH/20191206	JJS/20191206	KTJ/20191206
△7	Number range dispys changed	KYJ/20241119	JJS/20241119	KTJ/20241119



$$R_L \leq \frac{V_s[V] - 9[V]}{I [mA]}$$

R = Resistance value(Power + Wire + Monitoring system)

* Micro Switch Rating
AC 125V 3A / DC 30V 2A



SURFACE TEXTURE		PRODUCT NAME		PROJECT NAME	
-		SMART POSITIONER		-	
FINISH TREATMENT		MODEL		TITLE	
-		YT-3300, 3350		YT-3300/3350 + Analog Output + L/S(2xSPDT) WIRING DIAGRAM	
MATERIAL		PROJECTION	SCALE	DRAWING NO.	
-		3rd	-	3300-03	
OTHERWISE NOTE		GENERAL TOLERANCE	QUANTITY	SHEET No.	REV.
-		-	1	1 / 1	7