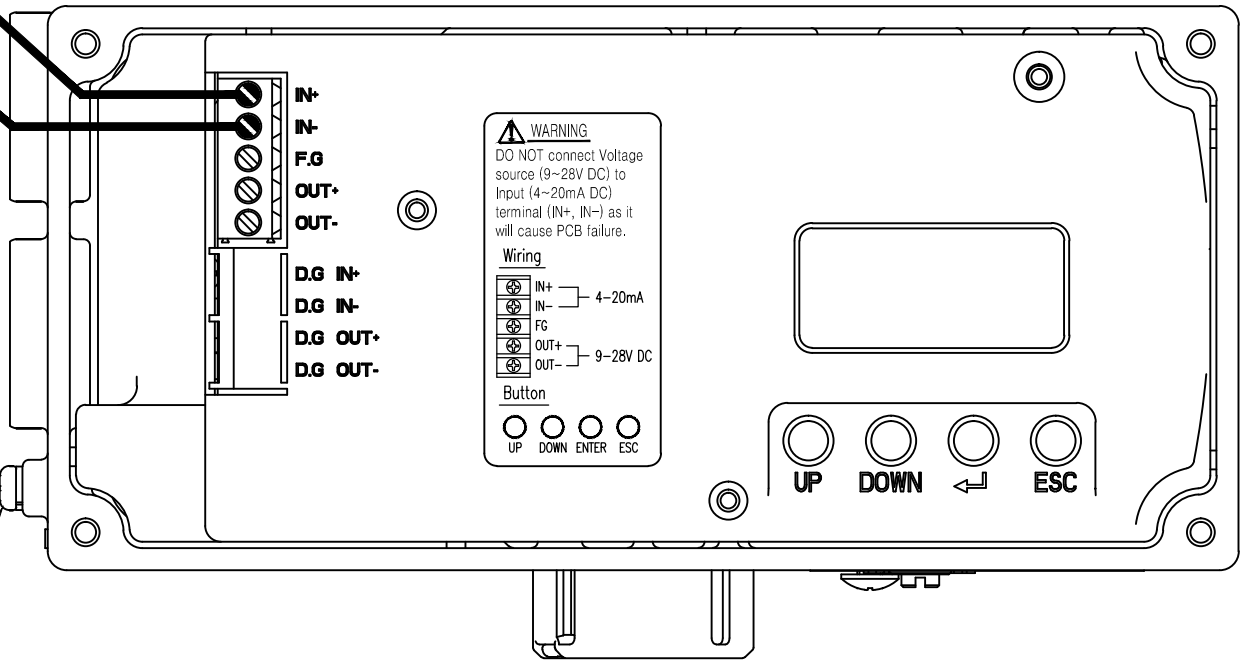
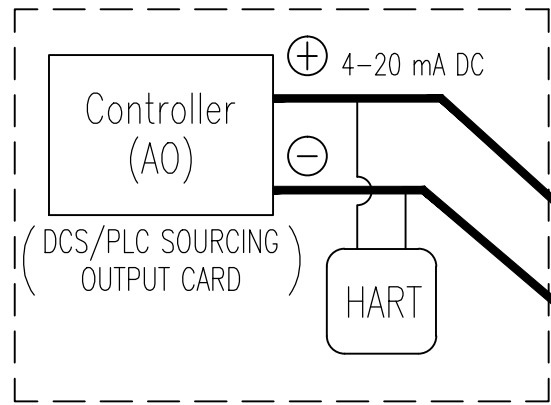


REV.NO.	REVISION DESCRIPTION	DRAWN / DATE	REVIEWED / DATE	APPROVED / DATE
	Previous versions omitted			
3	Drawing title block updated	KCH/20190801	JJS/20190801	KTJ/20190801
4	Number range dispys changed	KYJ/20241119	JJS/20241119	KTJ/20241119



Earth (External)

PROJECT NAME _____

SURFACE TEXTURE		-		PRODUCT NAME SMART POSITIONER		Rotork YTC Limited GIMPO-SI., KOREA	
FINISH TREATMENT		-		MODEL YT-3300, 3350			
MATERIAL		-		PROJECTION 3rd	SCALE -	TITLE YT-3300/3350 + HART WIRING DIAGRAM	
OTHERWISE NOTE		-		GENERAL TOLERANCE	QUANTITY 1	DRAWING NO. 3300-05	REV. 4

2019.01.23