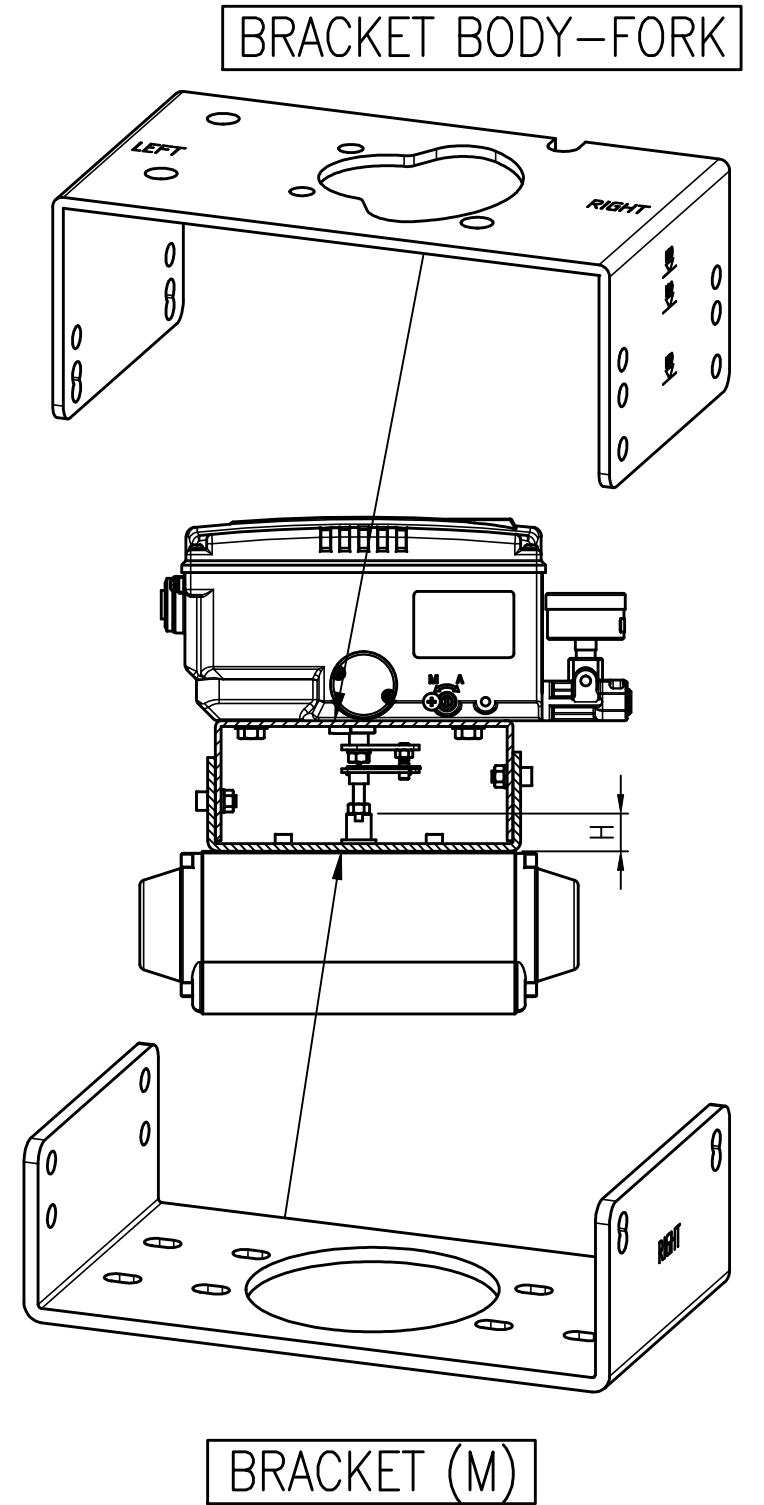
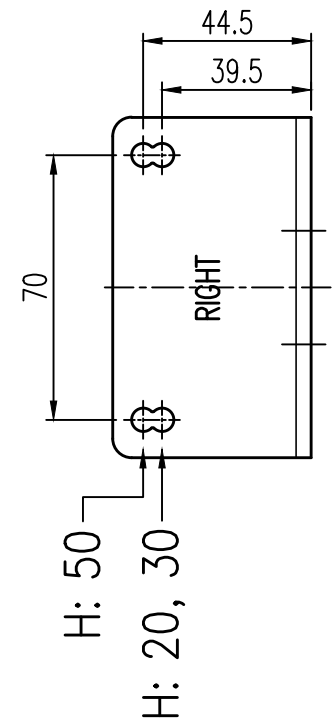
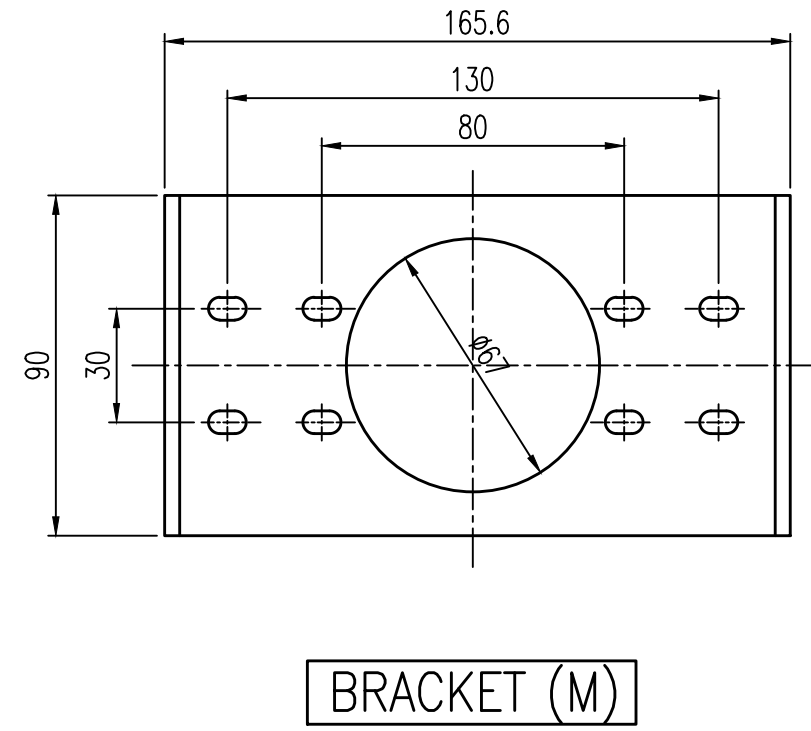
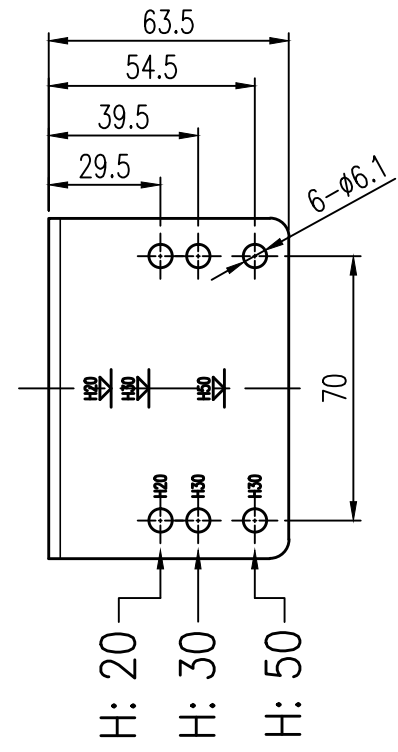
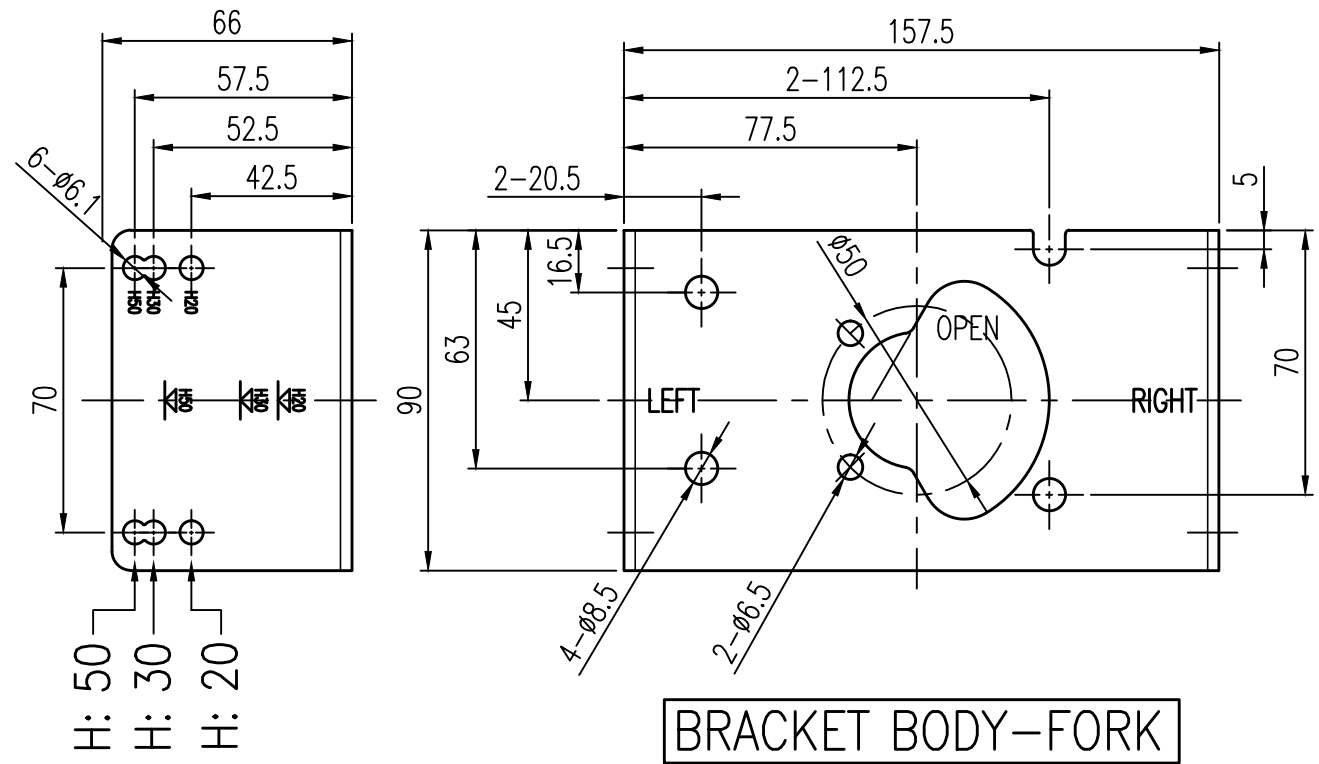


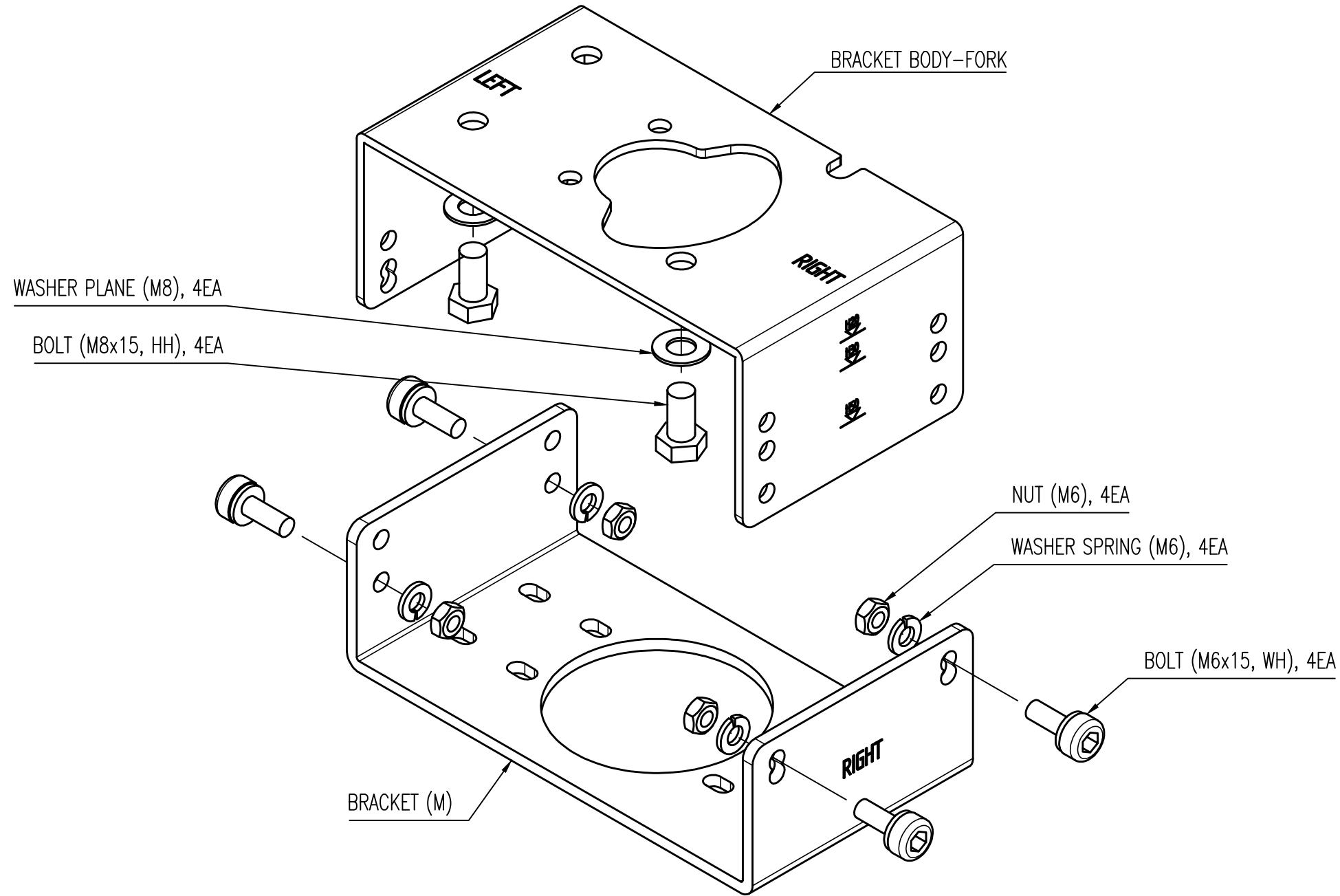
REV.NO.	REVISION DESCRIPTION	DRAWN / DATE	REVIEWED / DATE	APPROVED / DATE
△1	ISSUE FOR APPROVAL	DHK/20130802	CHK/20130802	YHL/20130802
△1	Added marking about direction	KSH/20180626	KCH/20180626	KTJ/20180626
△1	Positioner model added ...	KCH/20241204		



NOTE
1. Common to YT-3300R, 3350R, 3700R, 3750R △2

SURFACE TEXTURE		PRODUCT NAME		PROJECT NAME	
-		SMART POSITIONER		-	
FINISH TREATMENT		MODEL		rotork Rotork YTC Limited	
-		YT-3300R ...		GMP-O-SI, KOREA	
MATERIAL		PROJECTION		TITLE	
-		3rd		△2 YT-33x0 37x0 RORATY FORK	
OTHERWISE NOTE		SCALE		BRACKET ASS'Y	
-		1 / 2		DRAWING NO.	
GENERAL TOLERANCE		SHEET No.		REV.	
-		1 / 2		△2 3300F AA 07 A0	
		QUANTITY		2	
		1			

REV.NO.	REVISION DESCRIPTION	DRAWN / DATE	REVIEWED / DATE	APPROVED / DATE
△1	ISSUE FOR APPROVAL	DHK/20130802	CHK/20130802	YHL/20130802
△1	Added marking about direction	KSH/20180626	KCH/20180626	KTJ/20180626
△1	Positioner model added ...	KCH/20241204		



NOTE

1. Common to YT-3300R, 3350R, 3700R, 3750R △2

SURFACE TEXTURE		PRODUCT NAME		PROJECT NAME	
-		SMART POSITIONER		-	
FINISH TREATMENT		MODEL		TITLE	
-		YT-3300R ...		YT-33x0 37x0 RORATY FORK BRACKET ASS'Y	
MATERIAL		PROJECTION	SCALE	DRAWING NO.	
-		3rd	1 / 1.5	△2 3300F AA 07 A0	
OTHERWISE NOTE		GENERAL TOLERANCE	QUANTITY	REV.	
-		-	1	2	

2019.01.23