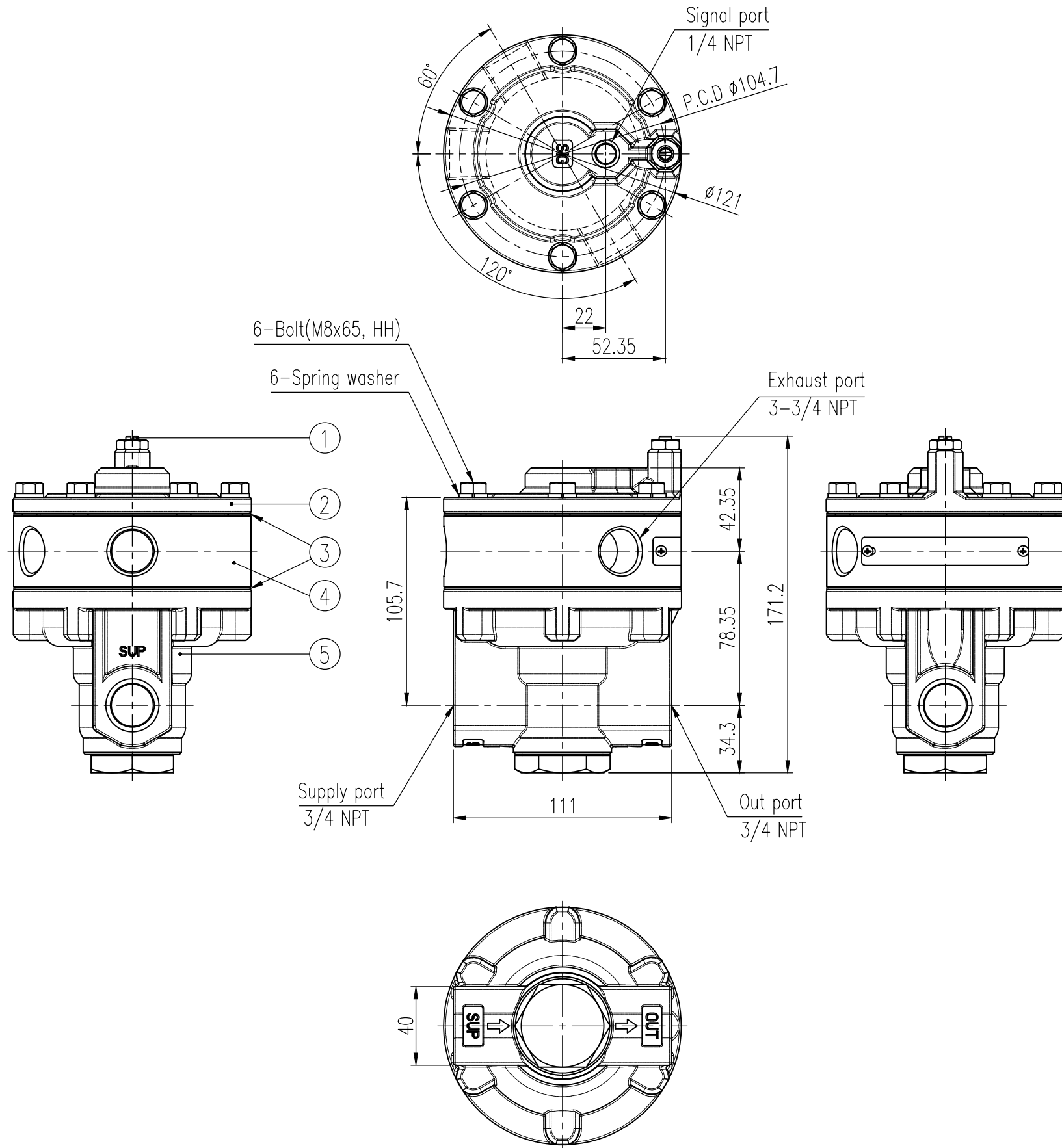


REV.NO.	REVISION DESCRIPTION	DRAWN / DATE	REVIEWED / DATE	APPROVED / DATE
	Previous versions omitted			
△	Company name changed ...	KSH/20190924	KCH/20190924	KTJ/20190924
△	Range display changed	KCH/20241220	JCS/20241220	KTJ/20241220

### Specification

Item	Description	
Max. Supply Pressure	1 MPa (10 bar)	
Max. Signal/Output Pressure	0.7 MPa (7 bar)	
Signal/Output Pressure Ratio	1 : 1	
Flow Capacity(Cv)	Exhaust	5.24
	Output	4.91
Supply/Output Connection,	3/4 NPT	
Signal Connection	1/4 NPT	
Exhaust Connection	3/4 NPT (3 points)	
Linearity	± 1 % F.S.	
Ambient Temperature	Standard	<input type="checkbox"/> -20 to 70 °C (-4 to 158 °F)
	High	<input type="checkbox"/> -20 to 120 °C (-4 to 248 °F)
	Low	<input type="checkbox"/> -40 to 70 °C (-40 to 158 °F)
	Arctic	<input type="checkbox"/> -60 to 70 °C (-76 to 158 °F)
Housing Material	Stainless Steel 316	
Weight	5.5 kg (12.1 lb)	

No.	Part name	Material	Q'ty	Remark
1	Adjust bolt	STS316	1	
2	Base cover	STS316	1	
3	Diaphragm	NBR	2	Standard
		Silicone	2	High/Low/Arctic Temp.
4	Exhaust ring	STS316	1	
5	Base body	STS316	1	



SURFACE TEXTURE		PRODUCT NAME Volume booster		PROJECT NAME	
FINISH TREATMENT		MODEL YT-315		rotork Rotork YTC Limited GIMPO-SI, KOREA	
MATERIAL		PROJECTION 3rd	SCALE 1 / 2.5	TITLE Tapped Exhaust type	
OTHERWISE NOTE		GENERAL TOLERANCE	QUANTITY 1	DRAWING NO. YT-315-02	REV. 3