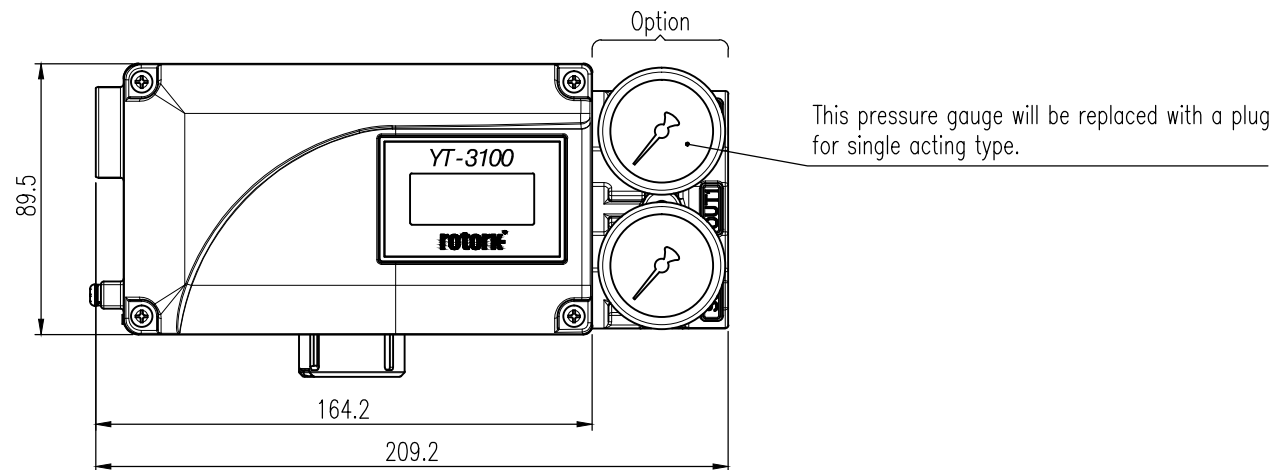
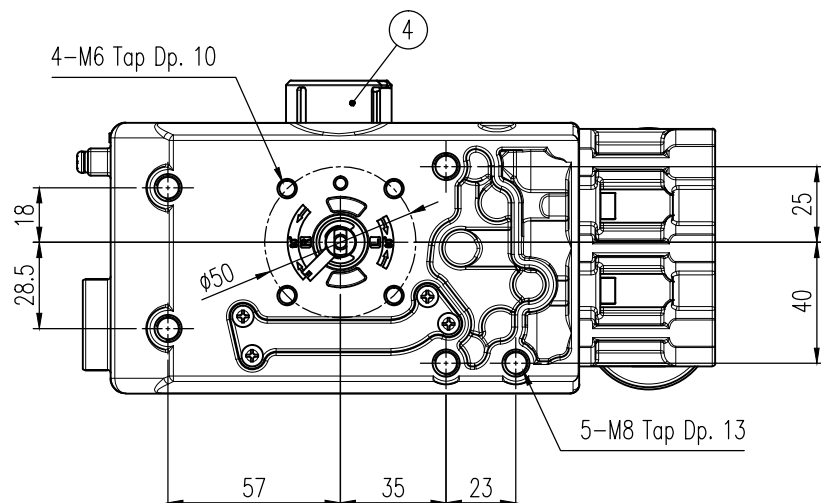
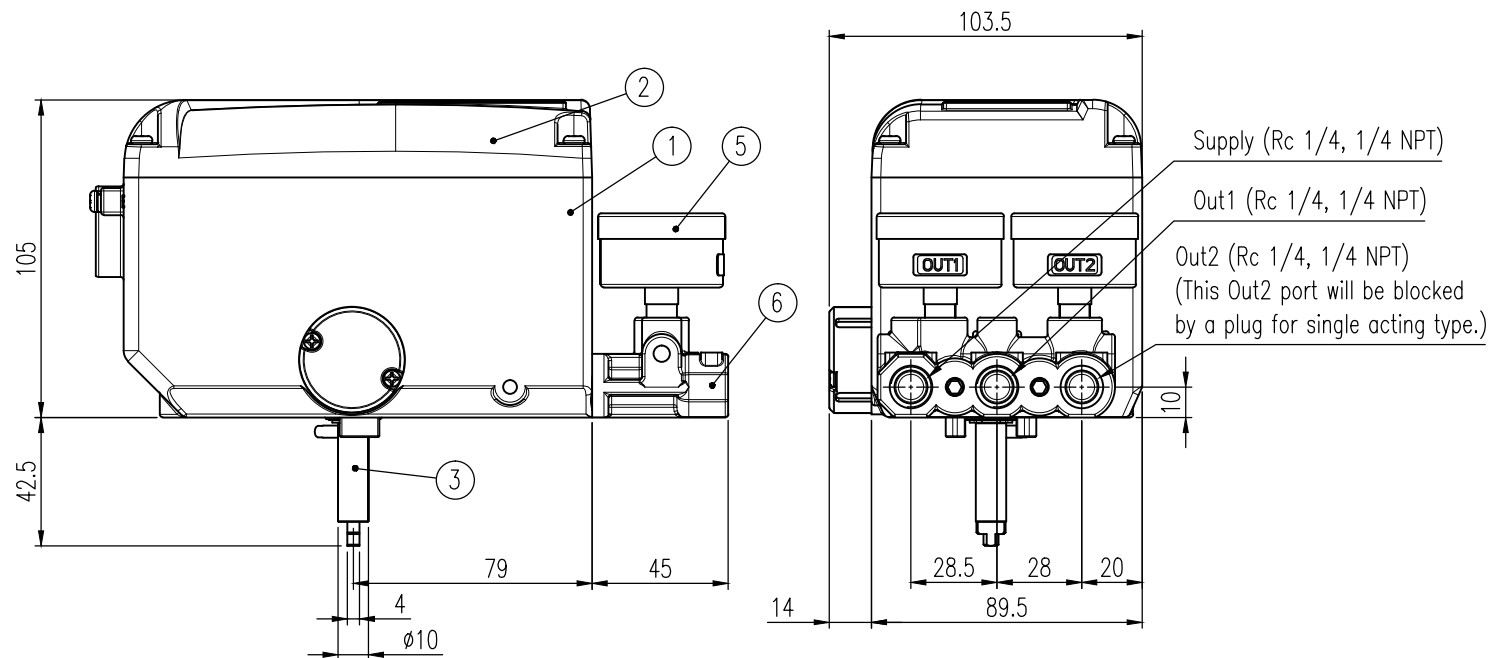
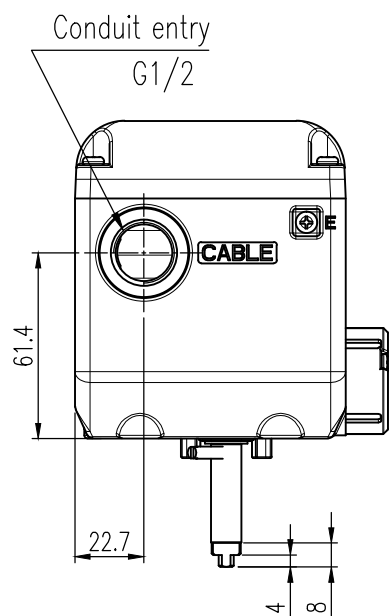


REV.NO.	REVISION DESCRIPTION	DRAWN / DATE	REVIEWED / DATE	APPROVED / DATE
△	First Issued	KBJ/20191015	KCH/20191015	KTJ/20191015
△	Drawing updated	KCH/20250116	JCS/20250116	KTJ/20250116



Specifications

Acting Type	<input type="checkbox"/> Single <input type="checkbox"/> Double
Explosion Protection	<input type="checkbox"/> Non-Explosion proof <input type="checkbox"/> Ex ia IIC T5/T6 Gb
Ambient Temp. of Explosion proof	-30 to 60 °C(T5) / -30 to 40 °C(T6)
Operating Temp.	-30 to 85 °C (-22 to 185 °F)
Input Signal	4-20mA DC
Supply Pressure	0.14 to 0.7 MPa (1.4 to 7 bar, 20 to 102 psi)
Stroke	55 to 110°
Impedance	Max. 500 Ohm/20 mA DC
Conduit	G 1/2
Air Connection	<input type="checkbox"/> Rc 1/4 <input type="checkbox"/> 1/4 NPT
Gauges block	<input type="checkbox"/> No <input type="checkbox"/> Yes
Gauges Connection	1/8 NPT
Feedback Option	<input type="checkbox"/> None <input type="checkbox"/> 4-20mA (DC 9-28V)
Linearity	± 0.5 % F.S.
Hysteresis	± 0.5 % F.S.
Sensitivity	± 0.2 % F.S.
Repeatability	± 0.3 % F.S.
Air consumption	Below 2 LPM (Sup. = 0.14 MPa) Below 0.07 CFM (Sup. = 20 psi)
Flow Capacity	70 LPM (Sup. = 0.14 MPa) 2.47 CFM (Sup. = 20 psi)
Output Characteristics	Linear, EQ%, Quick Open, User set (5, 21 points)
Feedback connection type	Namur
Housing Material	Body : Aluminum Cover : Polycarbonate
Ingress Protection	IP66 (excluding the pressure gauges)
Weight	1.7 kg (3.7 lb)



No.	Part name	Material	Q'ty	Remark
1	Base body	ALDC12	1	
2	Base cover	Polycarbonate	1	
3	Main shaft	STS303	1	
4	Vent cover	Polycarbonate	1	
5	Pressure gauge	STS304	1	
6	Gauge block	-	1	Option

SURFACE TEXTURE		PRODUCT NAME		Rotork YTC Limited GMP0-SI, KOREA	
-		Smart positioner			
FINISH TREATMENT		MODEL		TITLE	
-		YT-3100		Rotary, Standard	
MATERIAL		PROJECTION	SCALE	DRAWING NO.	
-		3rd	1 / 2.5	YT-3100R-1	
OTHERWISE NOTE		GENERAL TOLERANCE	QUANTITY	SHEET No.	REV.
-		1		1 / 1	1