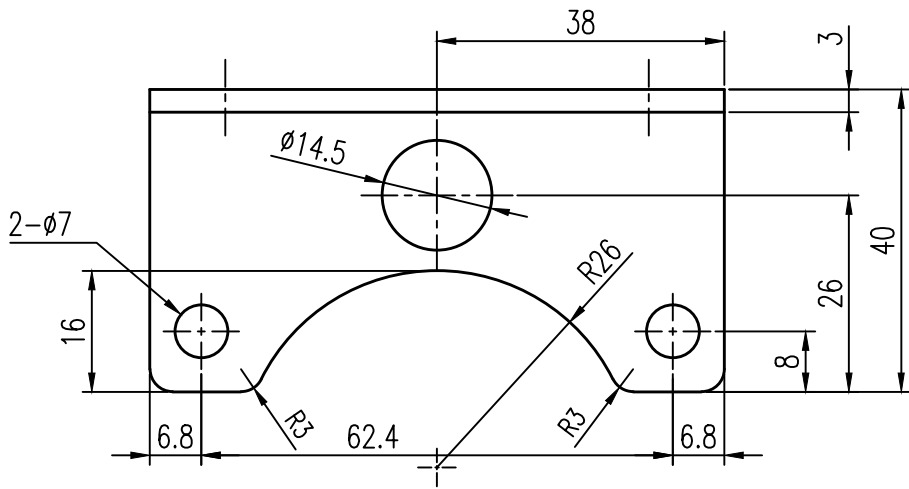


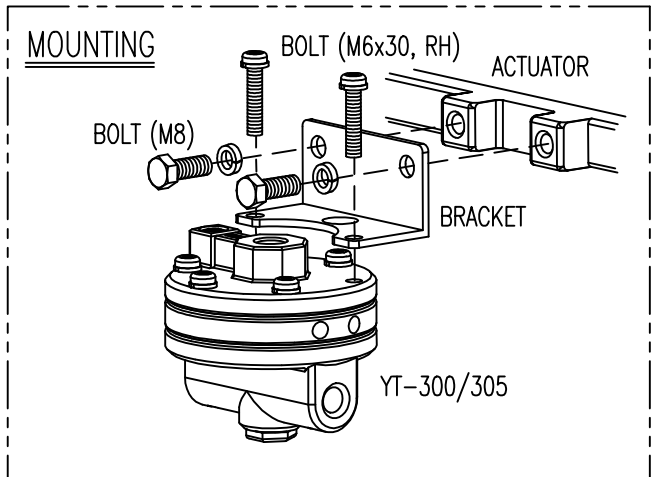
1 2 3 4 5

REV.NO.	REVISION DESCRIPTION	DRAWN / DATE	REVIEWED / DATE	APPROVED / DATE
△0	First issued	HSS/20061013	KCH/20061013	LYH/20061013
△1	Drawing form chanced	KCH/20241204		

A



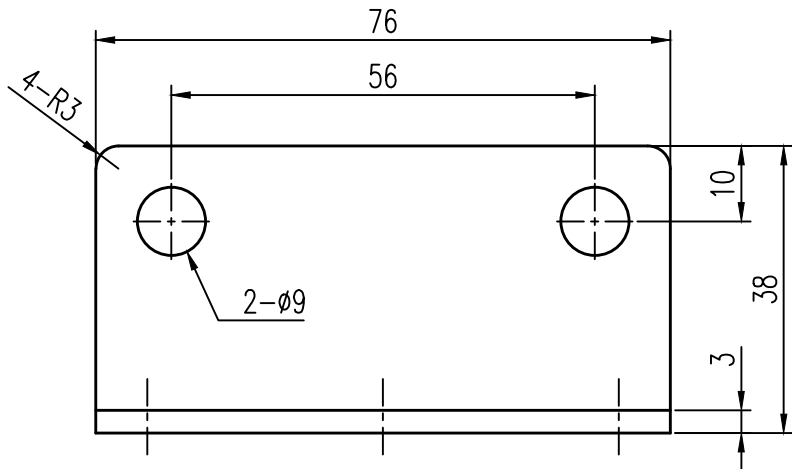
B



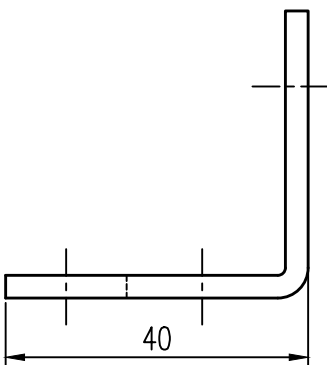
A

B

C



D



PROJECT NAME

SURFACE TEXTURE		PRODUCT NAME		Rotork YTC Limited <small>GMPO-SI, KOREA</small>	
FINISH TREATMENT		MODEL			
MATERIAL		PROJECTION	SCALE	TITLE △1 YT-30x MOUNTING BRACKET	
OTHERWISE NOTE		QUANTITY	SHEET No.		
GENERAL TOLERANCE				DRAWING NO.	
				REV.	
				△1 0300F AA 03 A0 1	

2019.01.23

D

1 2 3 4 5 Rotork YTC-A4