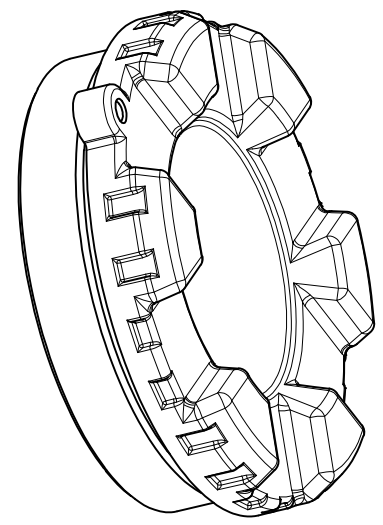
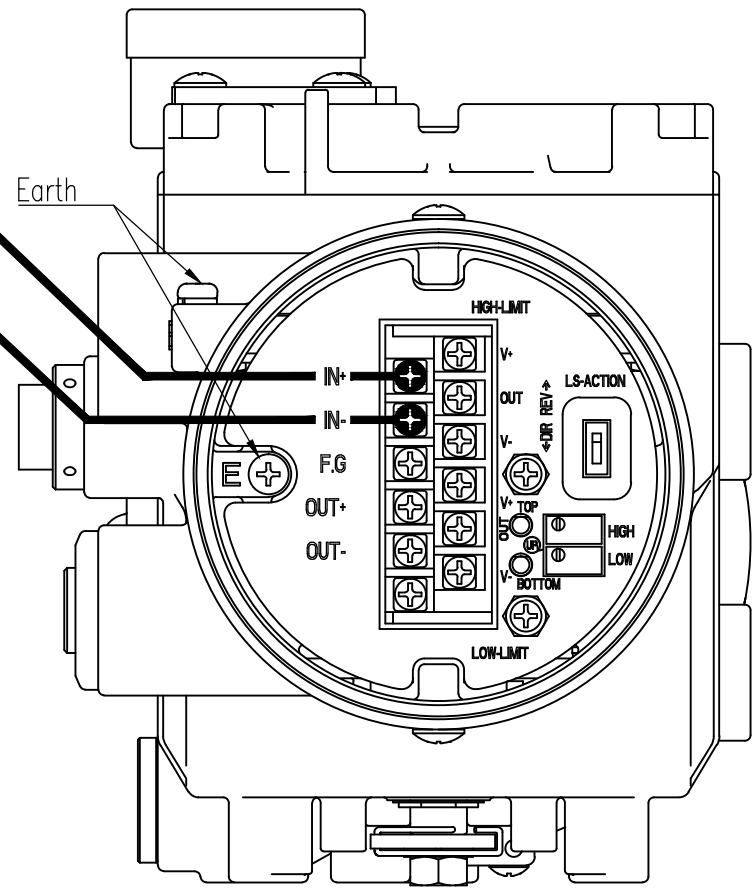
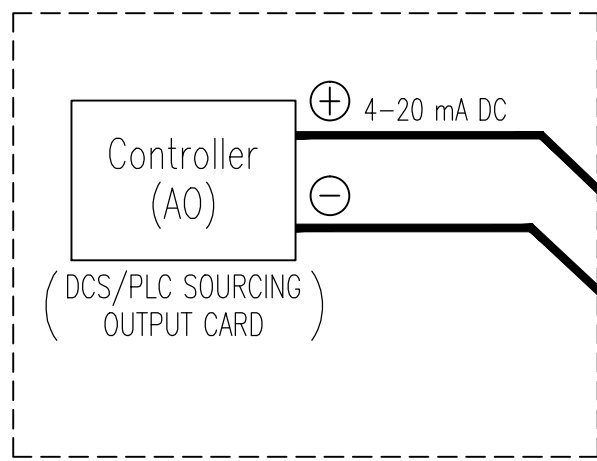



REV.NO.	REVISION DESCRIPTION	DRAWN / DATE	REVIEWED / DATE	APPROVED / DATE
	Previous versions omitted			
3	Drawing arrangement	KSH/20161124	JJS/20161124	KTJ/20161124
4	Number range dispys changed	KYJ/20241119	JJS/20241119	KTJ/20241119



PROJECT NAME \_\_\_\_\_

SURFACE TEXTURE		PRODUCT NAME		 Rotork YTC Limited <small>GMPO-SI, KOREA</small>	
FINISH TREATMENT		SMART POSITIONER			
MATERIAL		MODEL		TITLE	
OTHERWISE NOTE		PROJECTION		YTC-2600 Standard WIRING DIAGRAM	
GENERAL TOLERANCE		SCALE		DRAWING NO.	
		3rd		2600-01	
		QUANTITY		REV.	
		1		4	
		SHEET No.			
		1 / 1			