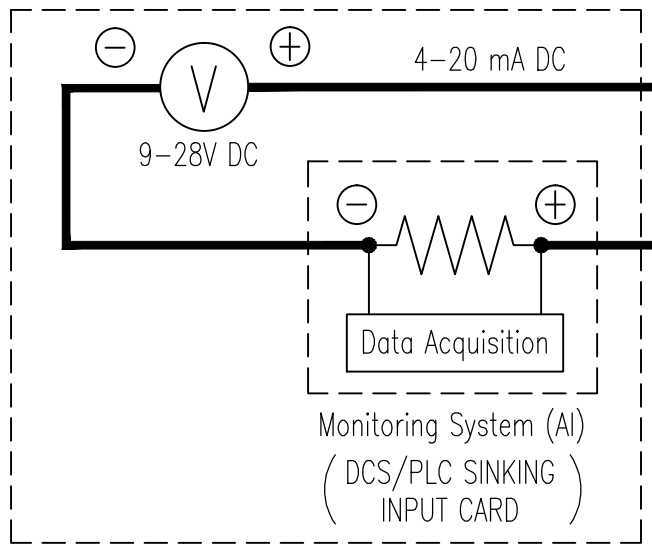
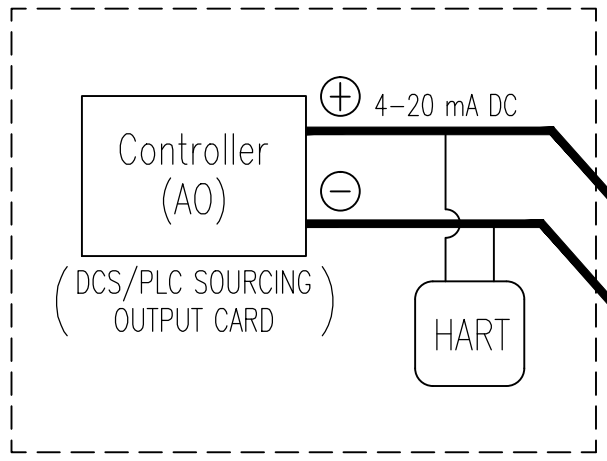
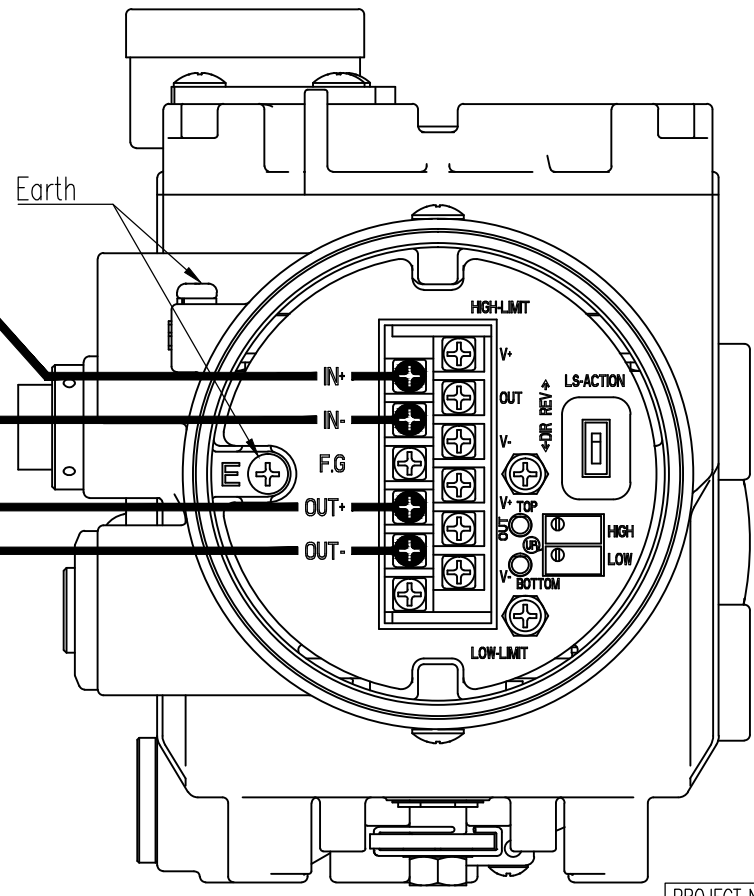


REV.NO.	REVISION DESCRIPTION	DRAWN / DATE	REVIEWED / DATE	APPROVED / DATE
	Previous versions omitted			
5	PTM line modified	KCH/20191206	JJS/20191206	KTJ/20191206
6	Number range dispys changed	KYJ/20241119	JJS/20241119	KTJ/20241119



$R_L$  = Resistance value(Power + Wire + Monitoring system)

$$R_L \leq \frac{V_s[V] - 9[V]}{I [mA]}$$



PROJECT NAME \_\_\_\_\_

SURFACE TEXTURE		PRODUCT NAME	
-		SMART POSITIONER	
FINISH TREATMENT		MODEL	
-		YT-2600	
MATERIAL		PROJECTION	SCALE
-		3rd	-
OTHERWISE NOTE	GENERAL TOLERANCE	QUANTITY	SHEET No.
-	-	1	1 / 1

Rotork YTC Limited <small>GMPO-SI, KOREA</small>			
		TITLE	
YT-2600 + HART + Analog Output WIRING DIAGRAM		DRAWING NO.	REV.
2600-06		6	