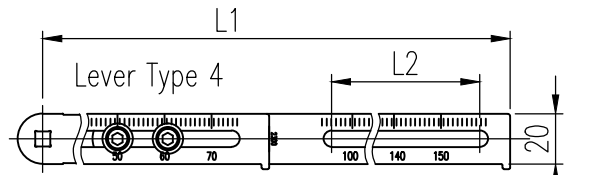
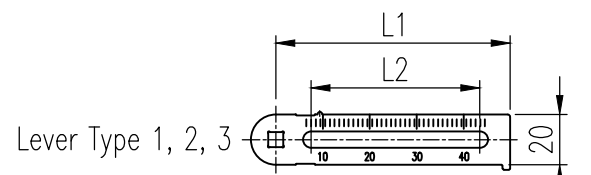
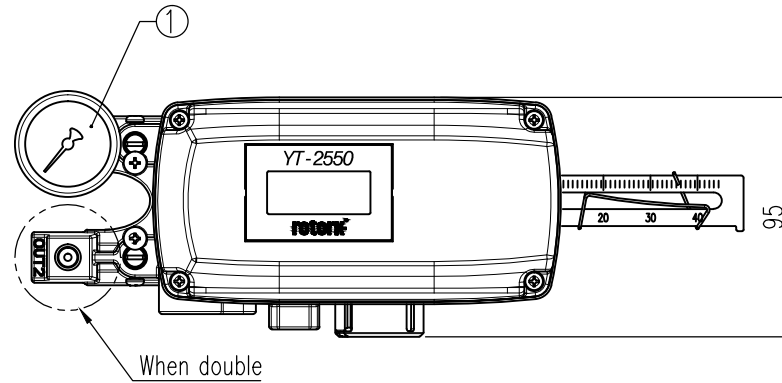


REV.NO.	REVISION DESCRIPTION	DRAWN / DATE	REVIEWED / DATE	APPROVED / DATE
/	Previous versions omitted	/	/	/
△	Drawing arrangement	KBJ/20190903	KCH/20190903	KTJ/20190903
△	Drawing updated	KCH/20250116	JCS/20250116	KTJ/20250116

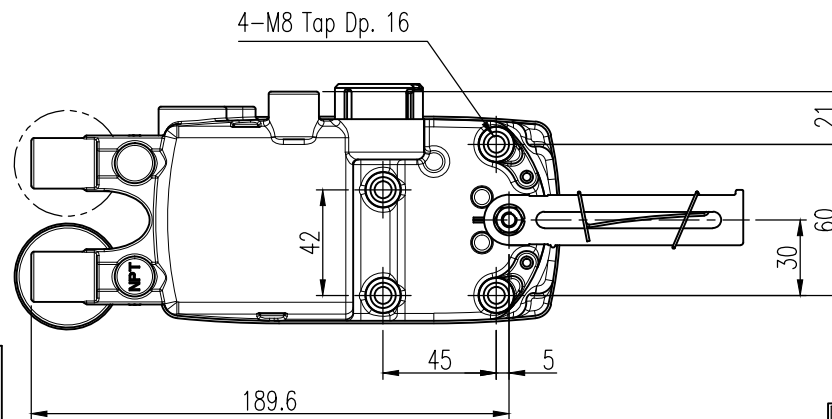
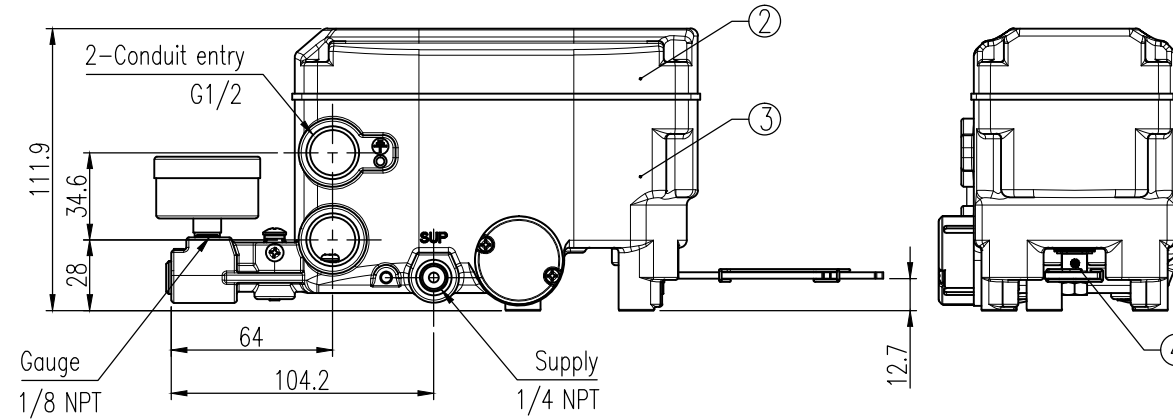
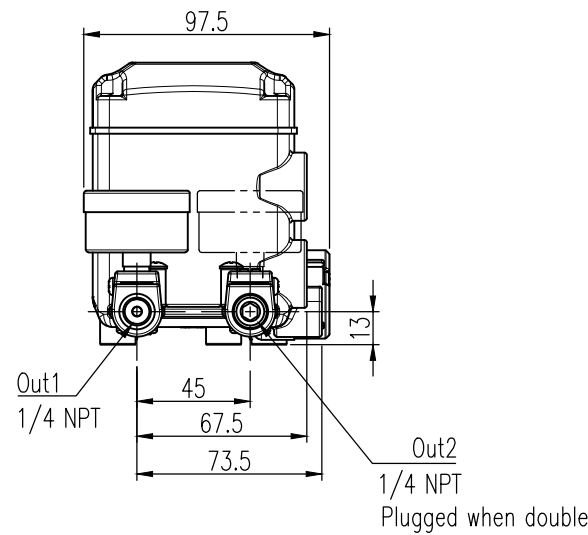


Lever Type	Stroke (mm)	L1 (mm)	L2 (mm)
1	10 to 40	93.0	67.0
2	20 to 70	153.5	106.5
3	50 to 100	214.0	117.0
4	100 to 150	307.3	117.0



**SPECIFICATIONS**

Acting Type	<input type="checkbox"/> Single	<input type="checkbox"/> Double
Explosion Protection	<input type="checkbox"/> Non-Explosion proof	<input type="checkbox"/> Ex ia IIC T5/T6 ...
Operating Temp.	-30 to 80 °C (-22 to 176 °F)	
Ambient Temp. of Explosion proof	-30 to 60 °C(T5) / -30 to 40 °C(T6)	
Lever Type	<input type="checkbox"/> 10 to 40mm <input type="checkbox"/> 20 to 70mm <input type="checkbox"/> 50 to 100mm <input type="checkbox"/> 100 to 150mm	
Input Signal	4-20mA DC	
Supply Pressure	0.14 to 0.7 MPa (1.4 to 7 bar, 20 to 102 psi)	
Stroke	10 to 150mm (0.4" to 6")	
Impedance	Max. 500 Ohm @ 20 mA DC	
Conduit entry	G 1/2	
Air Connection	1/8 NPT	
Gauge Connection	1/4 NPT	
Linearity	± 0.5 % F.S.	
Hysteresis	± 0.5 % F.S.	
Sensitivity	± 0.2 % F.S.	
Repeatability	± 0.3 % F.S.	
Main Board	MPU	16 bit Micro Controller
	A/D Converter	12 bit
	D/A Converter	12 bit
Communication	<input type="checkbox"/> None	<input type="checkbox"/> HART Communication
Option	<input type="checkbox"/> None	<input type="checkbox"/> Analog Output
Fail Option(Power)	<input type="checkbox"/> Fail Freeze	<input type="checkbox"/> Fail Safe
Air consumption	Fail Freeze	0.01 LPM (Sup. = 0.14 MPa)
	Fail Safe	0.06 LPM (Sup. = 0.14 MPa)
Flow Capacity	Fail Freeze	60 LPM (Sup. = 0.14 MPa)
	Fail Safe	40 LPM (Sup. = 0.14 MPa)
Output Characteristics	Linear, EQ%, Quick Open, User set	
Housing Material	Stainless steel 316	
Ingress Protection	IP66 (excluding the pressure gauges)	
Weight	2.9kg (6.4 lb)	



NO.	PART NAME	MATERIAL	Q'TY		REMARK
			SINGLE	DOUBLE	
1	PRESSURE GAUGE	STS304	1	2	
2	BASE COVER	STS316		1	
3	BASE BODY	STS316		1	
4	MAIN SHAFT	STS316		1	

SURFACE TEXTURE	PRODUCT NAME	<b>rotork</b> Rotork YTC Limited GMP0-SI, KOREA
FINISH TREATMENT	SMART POSITIONER	
MATERIAL	MODEL	TITLE
OTHERWISE NOTE	PROJECTION	Linear, Standard
GENERAL TOLERANCE	SCALE	DRAWING NO.
	3rd	YTC-2550L-01
	QUANTITY	REV.
	1	3
	SHEET No.	
	1 / 1	