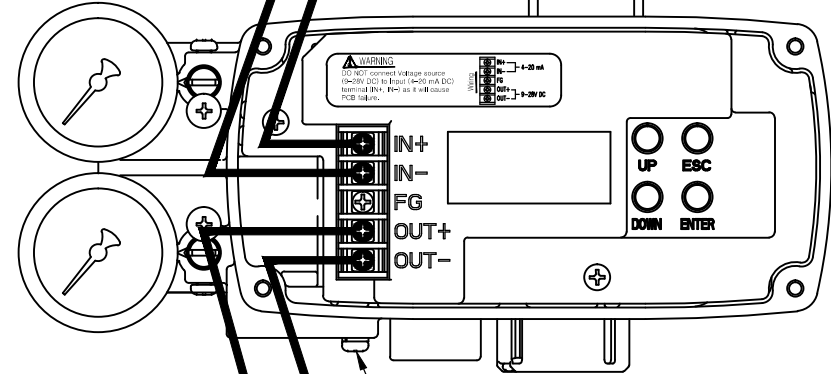
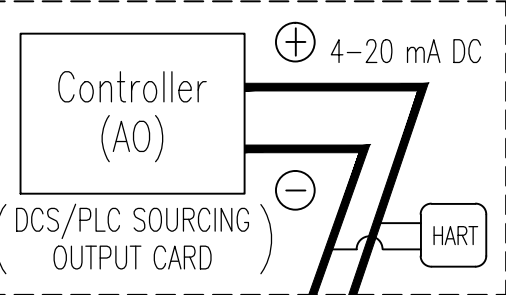
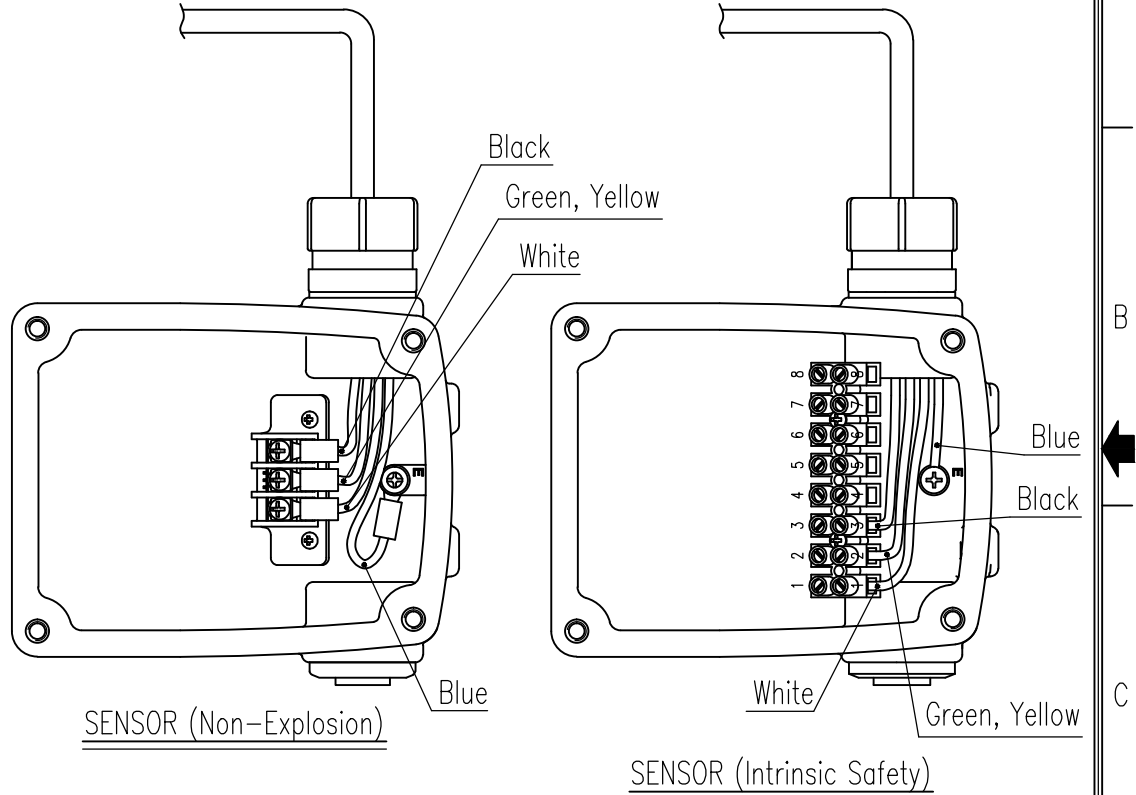
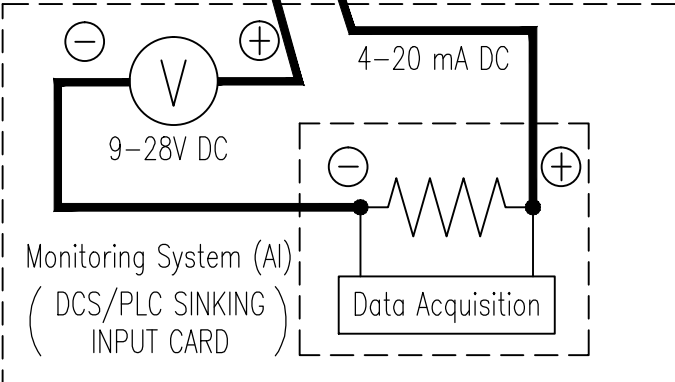


REV.NO.	REVISION DESCRIPTION	DRAWN / DATE	REVIEWED / DATE	APPROVED / DATE
	Previous versions omitted			
2	PTM line modified	KCH/20191206	JJS/20191206	KTJ/20191206
3	Number range dispys changed	KYJ/20241119	JJS/20241119	KTJ/20241119



$$R_L \leq \frac{V_s[V] - 9[V]}{I [mA]}$$



R_L = Resistance value (Power + Wire + Monitoring system)

SURFACE TEXTURE		PRODUCT NAME		PROJECT NAME	
-		SMART POSITIONER		-	
FINISH TREATMENT		MODEL		TITLE	
-		YT-2501R		YT-2501R + HART + Analog Output WIRING DIAGRAM	
MATERIAL		PROJECTION	SCALE	DRAWING NO.	
-		3rd	-	2501R-04	
OTHERWISE NOTE	GENERAL TOLERANCE	QUANTITY	SHEET No.	REV.	
-	-	1	1 / 1	3	