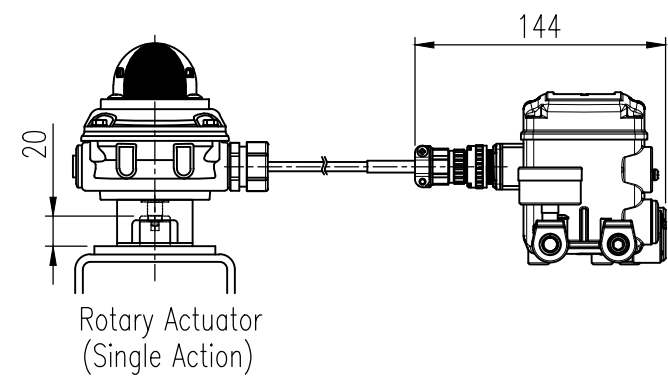
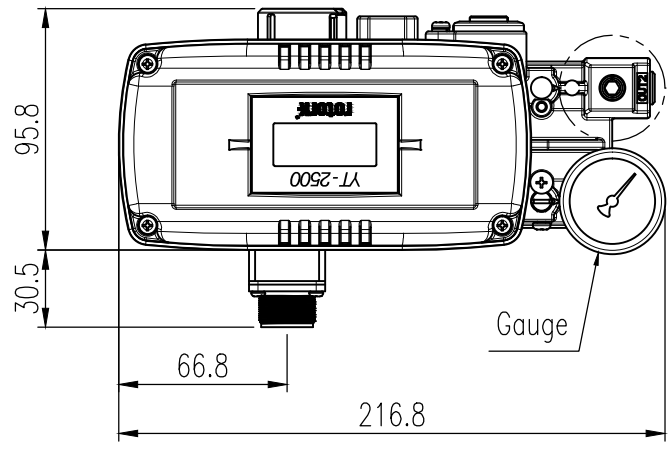


| REV.NO. | REVISION DESCRIPTION | DRAWN / DATE | REVIEWED / DATE | APPROVED / DATE |
|---------|---------------------------|--------------|-----------------|-----------------|
| | Previous versions omitted | | | |
| △3 | To remote sensor ... | KCH/20241002 | JCS/20241002 | KTJ/20241002 |
| △4 | Drawing updated | KCH/20250204 | JCS/20250204 | KTJ/20250204 |

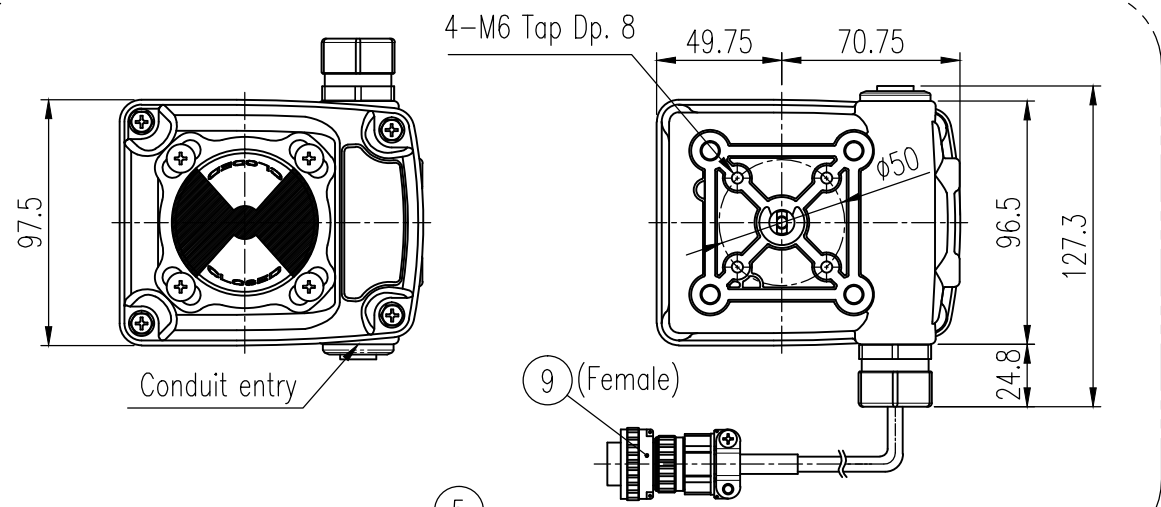
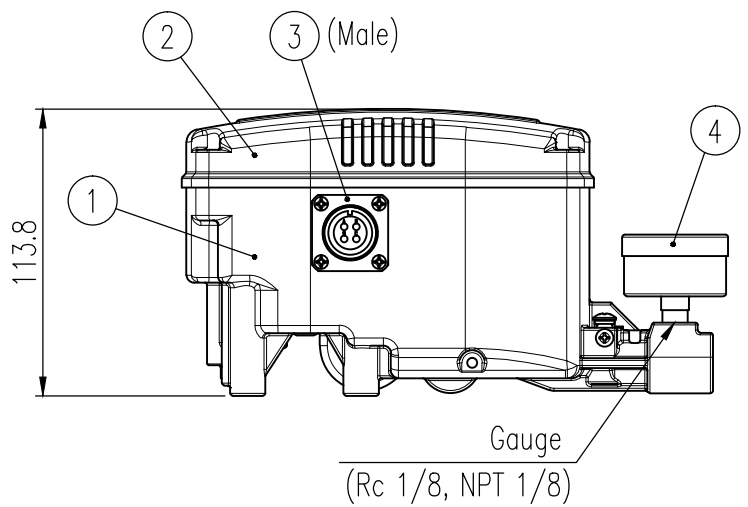


Positioner & Remote sensor

Detail A

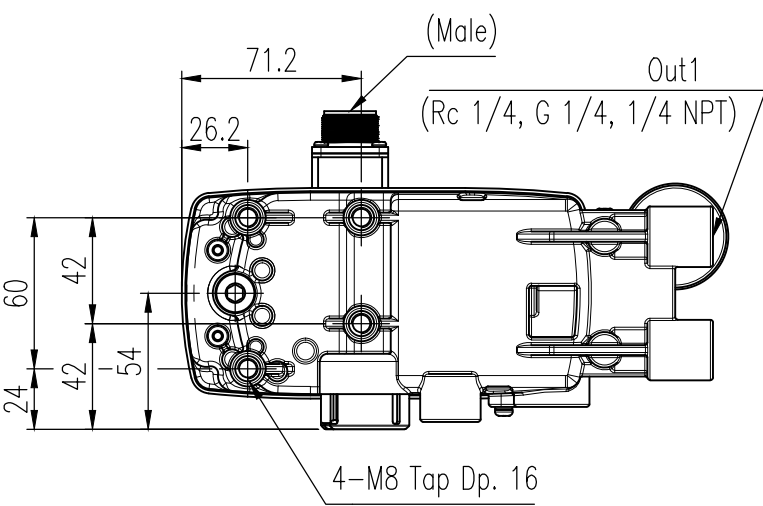
Specifications

| | | |
|---|--|---------------------------------|
| Motion Type | Linear | |
| Housing Material | Aluminum | |
| Acting Type | <input type="checkbox"/> Single | <input type="checkbox"/> Double |
| Input Signal | 4-20 mA DC | |
| Minimum Current Signal | 3.5 mA(Standard), 3.8 mA(HART option) | |
| Noise Range | 50 mVp.p | |
| Supply Pressure | 0.14 to 0.7 MPa (1.4 to 7 bar, 20 to 102 psi) | |
| Stroke | 55 to 110" | |
| Impedance | Max. 500 Ohm @ 20 mA DC | |
| Conduit entry, Air Connection, Gauge Connection | G 1/2, G 1/2, G 1/2, M20x1.5P, 1/2 NPT, Rc 1/4, 1/4 NPT, 1/4, 1/4 NPT, 1/4 NPT, Rc 1/8, 1/8 NPT, 1/8 NPT, 1/8 NPT, 1/8 NPT | |
| Ingress Protection | IP66 (excluding the pressure gauges) | |
| Explosion Protection | <input type="checkbox"/> Non-Explosion proof <input type="checkbox"/> Ex ia IIC T5/T6 ... | |
| Operating Temp. | Positioner | -30 to 80 °C (-22 to 176 °F) |
| | Sensor | -55 to 120 °C (-67 to 248 °F) |
| Ambient Temp. of Explosion proof | -30 to 60 °C(T5) / -30 to 40 °C(T6) | |
| Linearity | ± 0.5 % F.S. | |
| Hysteresis | ± 0.5 % F.S. | |
| Sensitivity | ± 0.2 % F.S. | |
| Repeatability | ± 0.3 % F.S. | |
| Fail Option (Power) | <input type="checkbox"/> Fail Freeze <input type="checkbox"/> Fail Safe | |
| Flow Capacity | Fail Freeze | 60 LPM (Sup. = 0.14 MPa) |
| | Fail Safe | 40 LPM (Sup. = 0.14 MPa) |
| Air consumption | Fail Freeze | 0.01 LPM (Sup. = 0.14 MPa) |
| | Fail Safe | 0.06 LPM (Sup. = 0.14 MPa) |
| Output Characteristics | Linear, EQ%, Quick Open, User set | |
| Vibration | No Resonance up to 100 Hz @ 6 G | |
| Humidity | 5 to 95 % RH @ 40 °C | |
| Main Board | MPU | 16 bit Micro Controller |
| | A/D Converter | 12 bit |
| | D/A Converter | 12 bit |
| Communication | <input type="checkbox"/> None <input type="checkbox"/> HART Communication (HART 5) | |
| Analogue Output | <input type="checkbox"/> None <input type="checkbox"/> 4-20 mA (DC 9 to 28 V) | |
| Weight | Positioner | 1.6 kg (3.4 lb) |
| | Sensor | 1.0 kg (2.1 lb) |
| | Cable (5 m) | 0.6 kg (1.3 lb) |

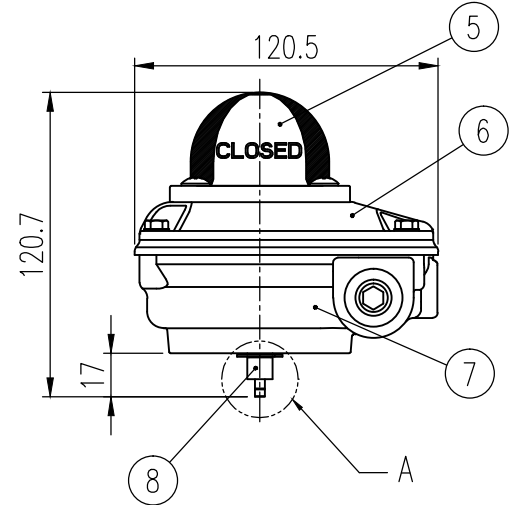


Conduit entry

9 (Female)



Positioner



Remote sensor

| No. | Part Name | Material | Q'ty | | Remark |
|-----|--------------------|----------|--------|--------|---------------|
| | | | Single | Double | |
| 1 | Base Body | ALDC12 | 1 | | Positioner |
| 2 | Base Cover | ALDC12 | 1 | | |
| 3 | Connector (Male) | AL, NBR | 1 | | |
| 4 | Pressure Gauge | STS304 | 1 | 2 | |
| 5 | Indicator | PC | 1 | | Remote sensor |
| 5 | Base Cover | ALDC12 | 1 | | |
| 6 | Base Body | ALDC12 | 1 | | |
| 7 | Main Shaft | STS304 | 1 | | |
| 8 | Connector (Female) | AL, NBR | 1 | | |

| | | |
|-------------------|---------------------------|--|
| SURFACE TEXTURE | PRODUCT NAME | rotork® Rotork YTC Limited GMP0-SI, KOREA |
| FINISH TREATMENT | SMART POSITIONER (REMOTE) | |
| MATERIAL | MODEL | TITLE Rotary, Standard |
| OTHERWISE NOTE | YTC-2501R | |
| GENERAL TOLERANCE | PROJECTION | DRAWING NO. YT-2501R-01 |
| | 3rd | |
| | SCALE | REV. 4 |
| | 1 / 3 | |
| | QUANTITY | |
| | 1 | |
| | SHEET No. | |
| | 1 / 1 | |