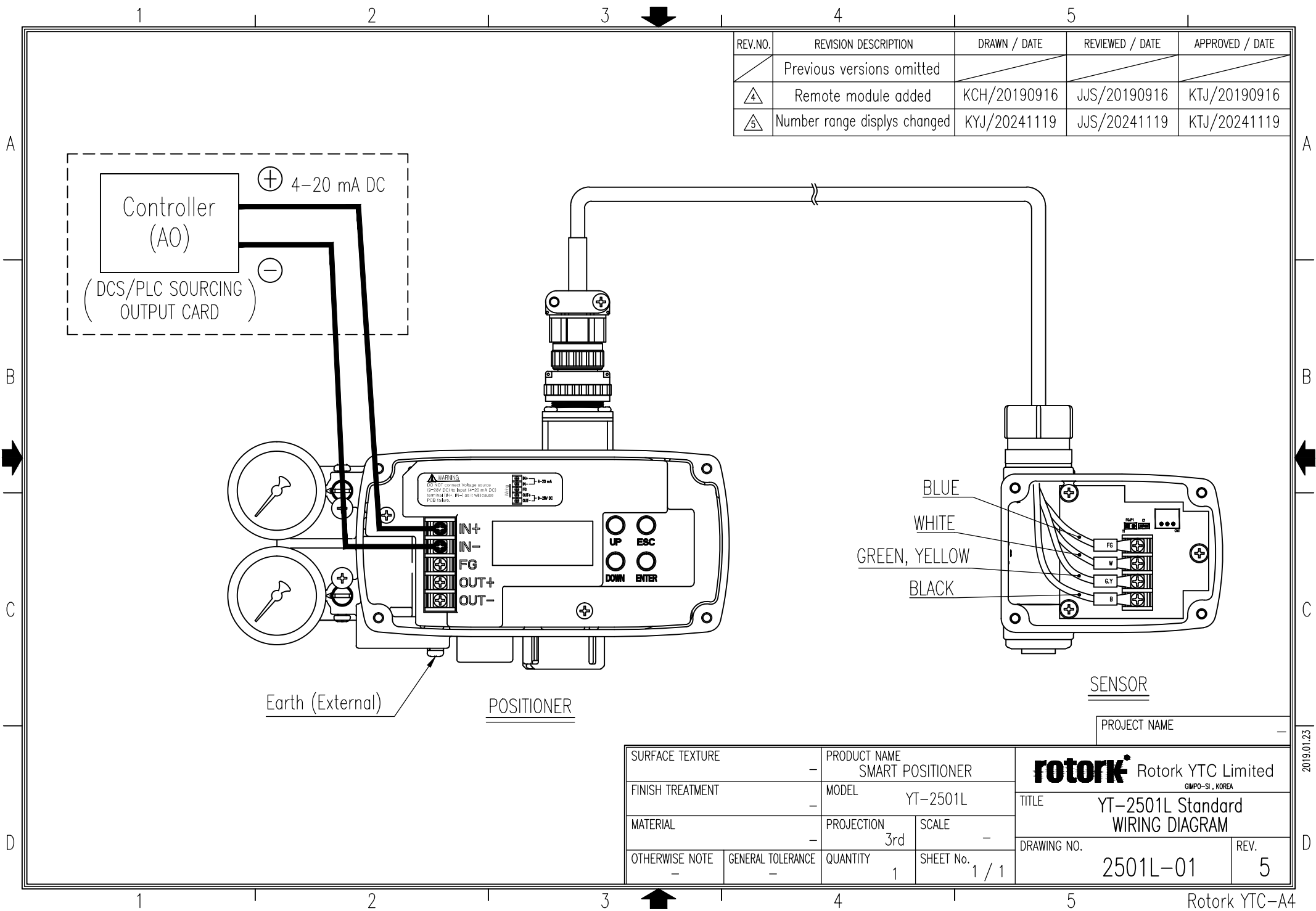


REV.NO.	REVISION DESCRIPTION	DRAWN / DATE	REVIEWED / DATE	APPROVED / DATE
	Previous versions omitted			
4	Remote module added	KCH/20190916	JJS/20190916	KTJ/20190916
5	Number range dispys changed	KYJ/20241119	JJS/20241119	KTJ/20241119



Earth (External)

POSITIONER

BLUE  
WHITE  
GREEN, YELLOW  
BLACK

SENSOR

PROJECT NAME \_\_\_\_\_

SURFACE TEXTURE		-		PRODUCT NAME SMART POSITIONER		Rotork YTC Limited GIMPO-SI., KOREA	
FINISH TREATMENT		-		MODEL YT-2501L			
MATERIAL		-		PROJECTION 3rd	SCALE -	TITLE YT-2501L Standard WIRING DIAGRAM	
OTHERWISE NOTE		-		QUANTITY 1	SHEET No. 1 / 1	DRAWING NO. 2501L-01	REV. 5

2019.01.23