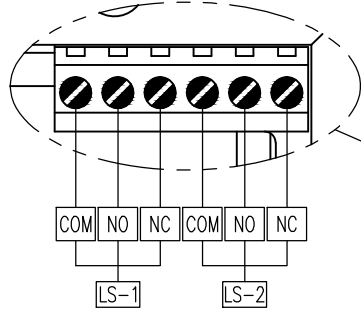
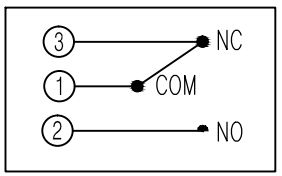


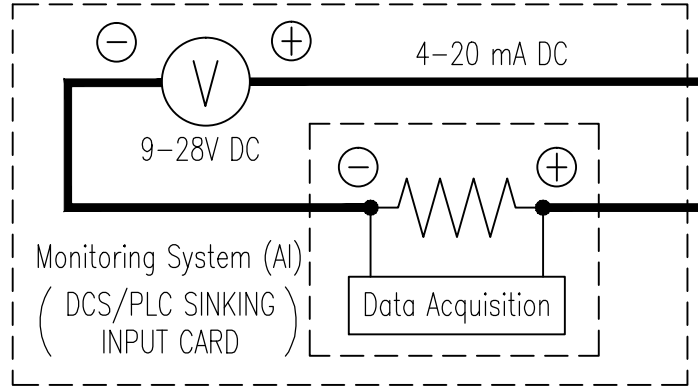
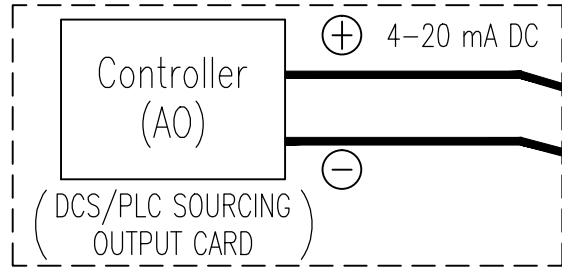
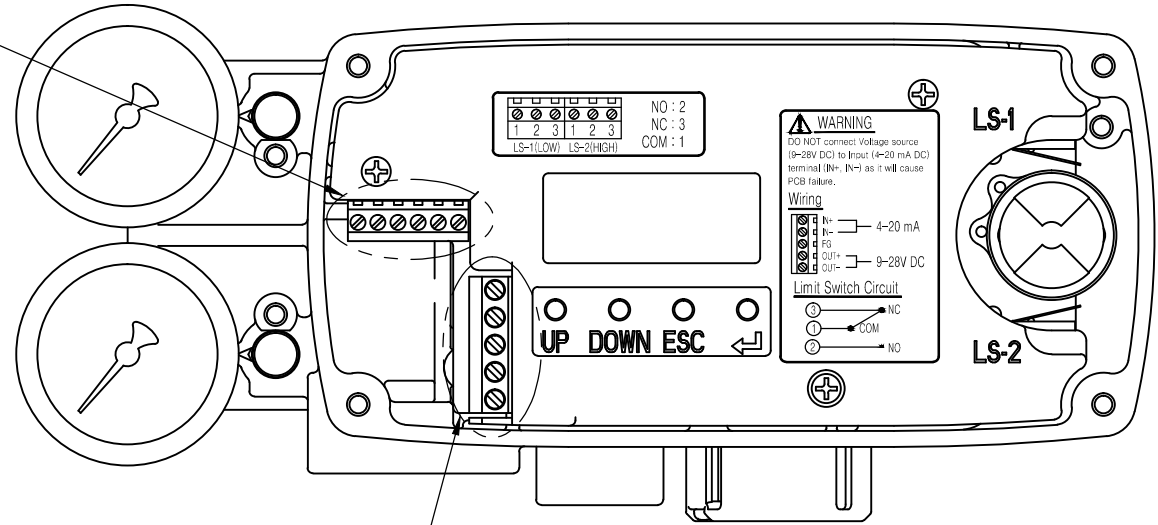
REV.NO.	REVISION DESCRIPTION	DRAWN / DATE	REVIEWED / DATE	APPROVED / DATE
	Previous versions omitted			
5	PTM line modified	KCH/20191206	JJS/20191206	KTJ/20191206
6	Number range displys changed	KYJ/20241119	JJS/20241119	KTJ/20241119



2 WIRE CONNECTION



<MECHANICAL SWITCH TERMINAL>



* Micro Switch Rating

AC 125V 3A / DC 30V 2A

$$R_L \leq \frac{V_s[V] - 9[V]}{I [mA]}$$

R_L = Resistance value(Power + Wire + Monitoring system)

PROJECT NAME _____

SURFACE TEXTURE		PRODUCT NAME SMART POSITIONER	
FINISH TREATMENT		MODEL YT-2500, 2550	
MATERIAL		PROJECTION 3rd	SCALE -
OTHERWISE NOTE	GENERAL TOLERANCE	QUANTITY 1	SHEET No. 1 / 1

Rotork YTC Limited GIMPO-SI, KOREA			
		TITLE YT-2500/2550 + Analog Output + L/S(2xSPDT) WIRING DIAGRAM	
DRAWING NO. 2500-03		REV. 6	