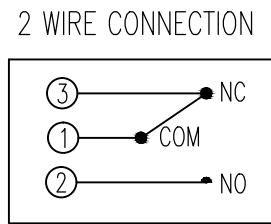
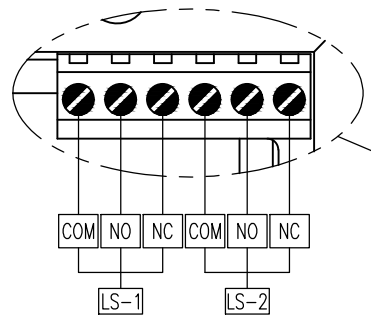
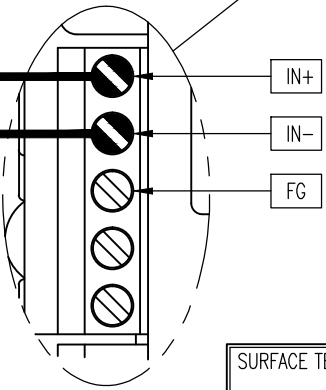
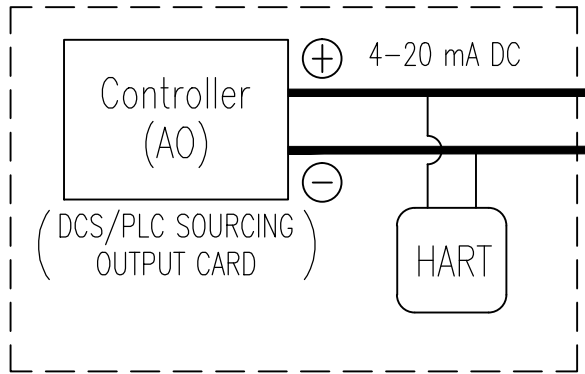
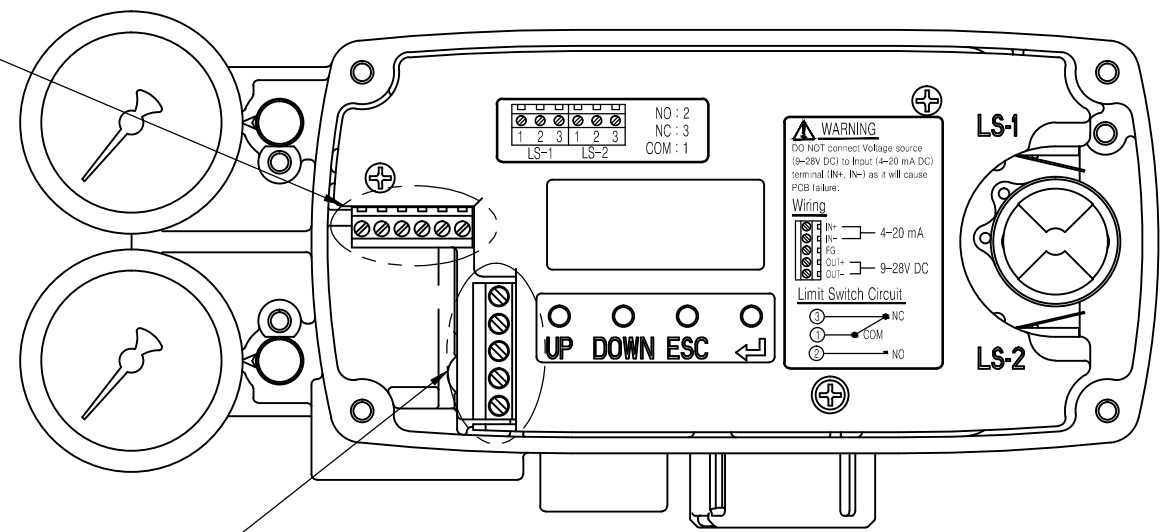


REV.NO.	REVISION DESCRIPTION	DRAWN / DATE	REVIEWED / DATE	APPROVED / DATE
	Previous versions omitted			
4	Drawing title block updated	KCH/20190731	JJS/20190731	KTJ/20190731
5	Number range displys changed	KYJ/20241119	JJS/20241119	KTJ/20241119



<MECHANICAL SWITCH TERMINAL>



* Micro Switch Rating
AC 125V 3A / DC 30V 2A

PROJECT NAME _____

SURFACE TEXTURE		PRODUCT NAME SMART POSITIONER		Rotork YTC Limited GIMPO-SI, KOREA	
FINISH TREATMENT		MODEL YT-2500, 2550			
MATERIAL		PROJECTION 3rd	SCALE -	TITLE YT-2500/2550 + HART + L/S(2xSPDT) WIRING DIAGRAM	
OTHERWISE NOTE	GENERAL TOLERANCE	QUANTITY 1	SHEET No. 1 / 1	DRAWING NO. 2500-07	REV. 5