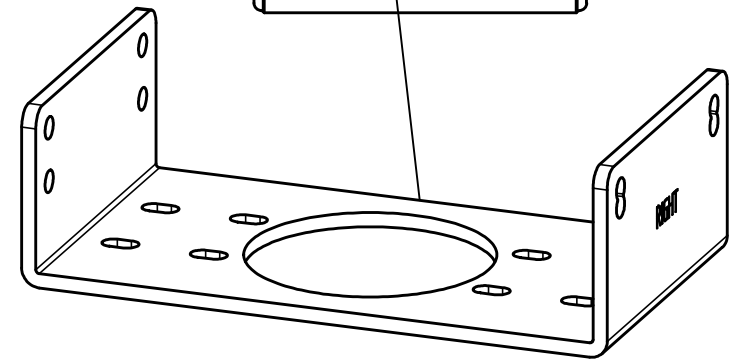
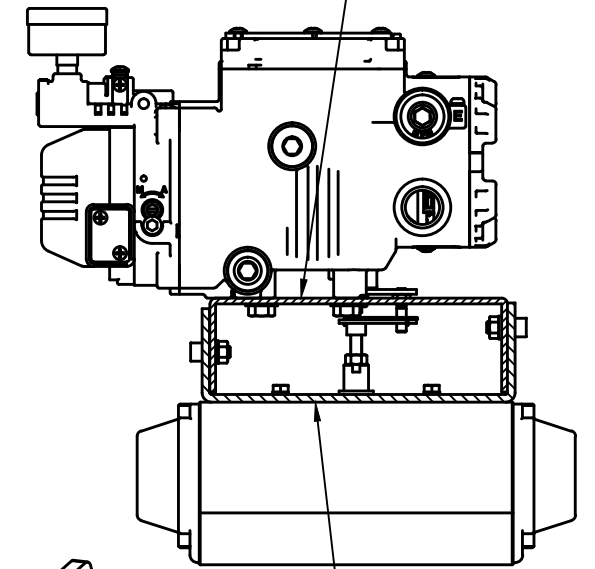
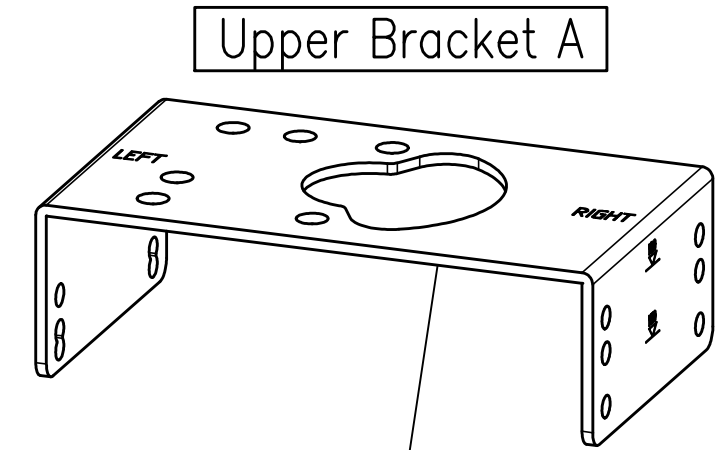
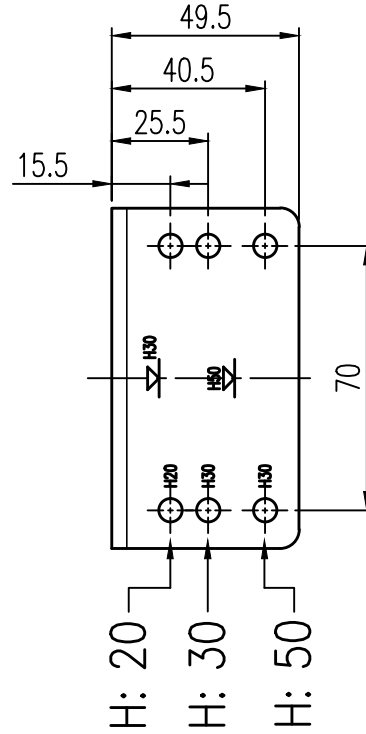
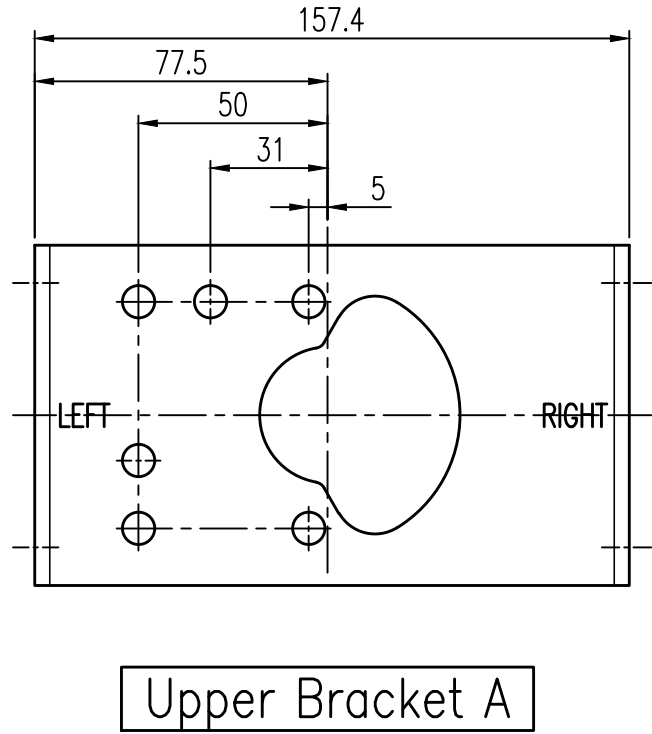
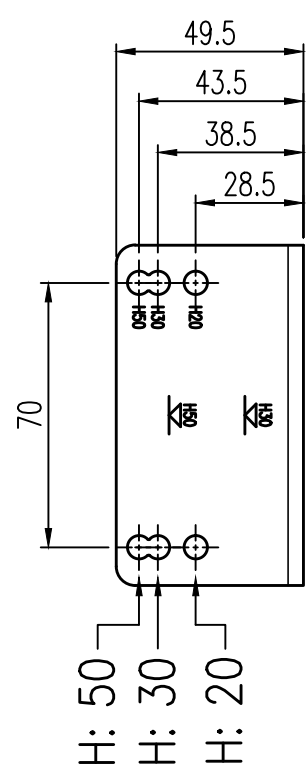
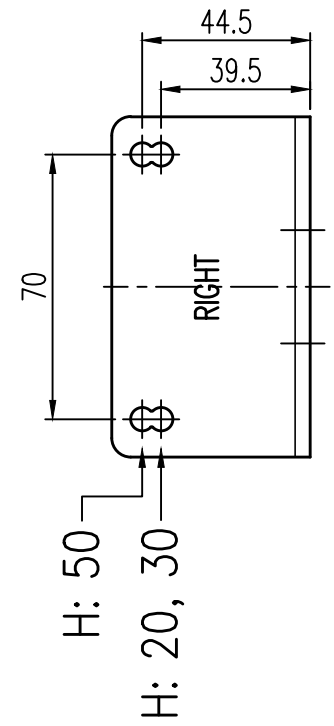
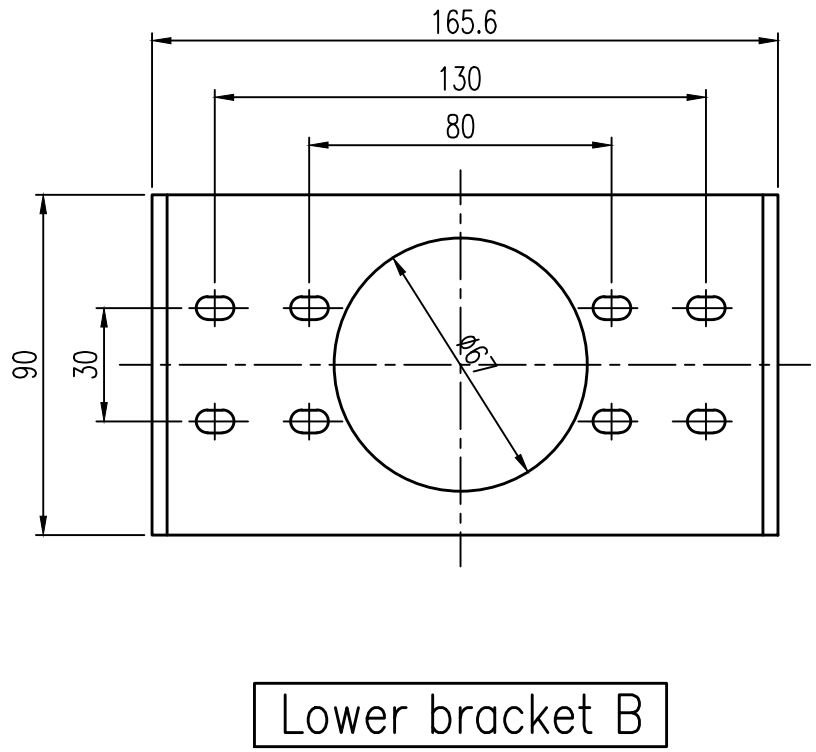
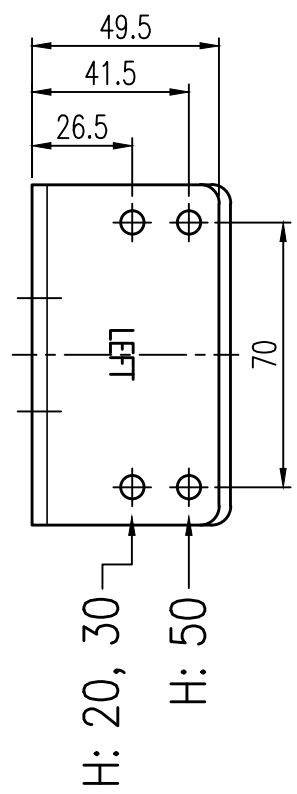


REV.NO.	REVISION DESCRIPTION	DRAWN / DATE	REVIEWED / DATE	APPROVED / DATE
/	Previous versions omitted	/	/	/
△	REVISION	KYJ/20221115	/	/
△	Positioner model added	KCH/20241204	/	/



Lower bracket B



**NOTE**

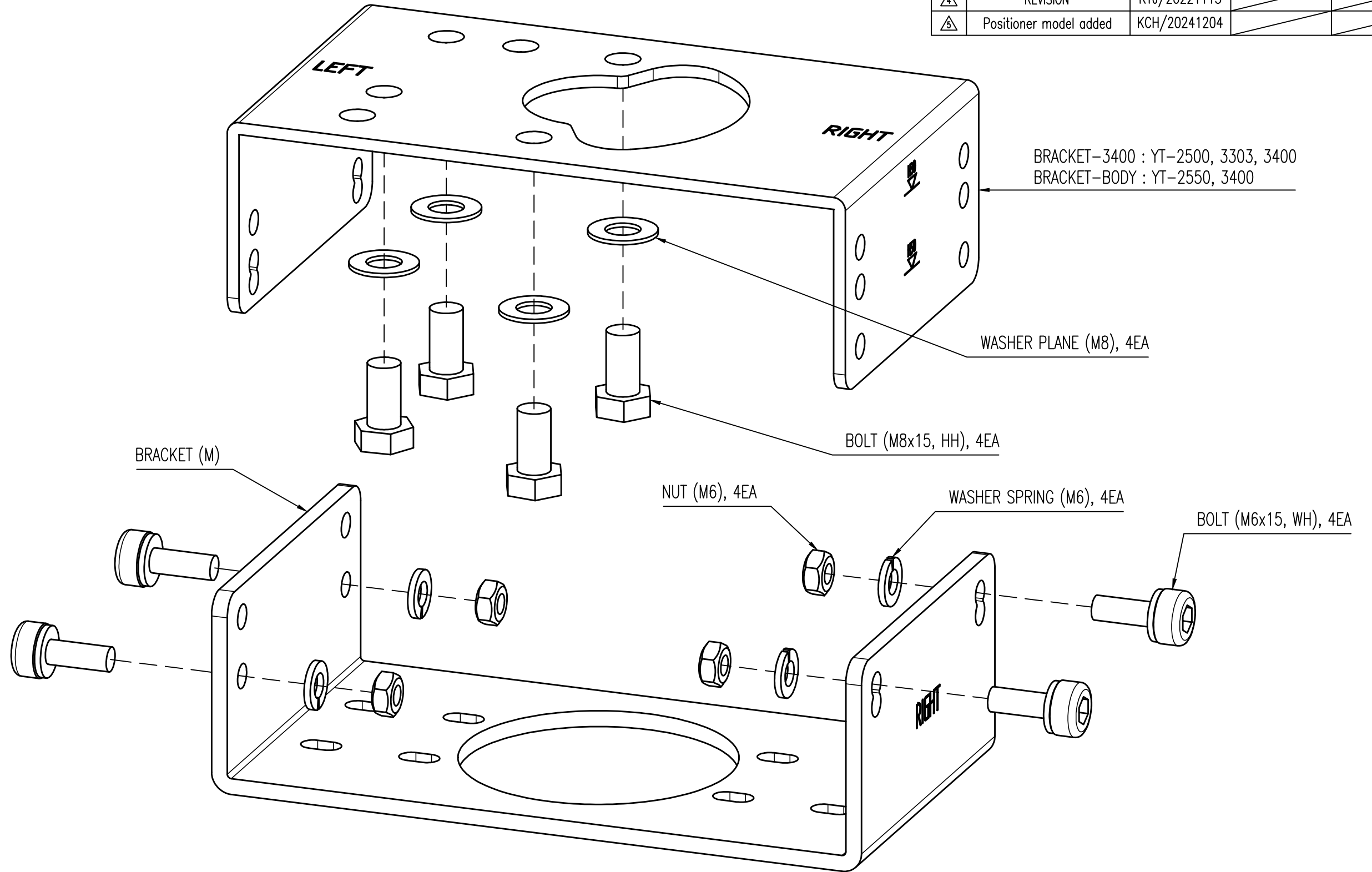
1. Common to YT-2500R, 2550R, 2600R, 3303R, 3400R, 3450R



SURFACE TEXTURE		PRODUCT NAME		PROJECT NAME	
-		SMART POSITIONER		-	
FINISH TREATMENT		MODEL		TITLE	
-		YT-2500R ...		△ 5 YT-2500 etc RORATY BRACKET ASS'Y	
MATERIAL		PROJECTION	SCALE	DRAWING NO.	
-		3rd	1 / 2	△ 5 2500F AA 01 A0	
OTHERWISE NOTE		GENERAL TOLERANCE	QUANTITY	REV.	
-		1		5	

2019.01.23

REV.NO.	REVISION DESCRIPTION	DRAWN / DATE	REVIEWED / DATE	APPROVED / DATE
	Previous versions omitted			
△	REVISION	KYJ/20221115		
△	Positioner model added	KCH/20241204		



BRACKET-3400 : YT-2500, 3303, 3400  
BRACKET-BODY : YT-2550, 3400

WASHER PLANE (M8), 4EA

BOLT (M8x15, HH), 4EA

BRACKET (M)

NUT (M6), 4EA

WASHER SPRING (M6), 4EA

BOLT (M6x15, WH), 4EA

NOTE

1. Common to YT-2500R, 2550R, 2600R, 3303R, 3400R, 3450R

△5

SURFACE TEXTURE		PRODUCT NAME		PROJECT NAME	
-		SMART POSITIONER		-	
FINISH TREATMENT		MODEL		TITLE	
-		YT-2500R ...		△5 YT-2500 etc RORATY BRACKET ASS'Y	
MATERIAL		PROJECTION	SCALE	DRAWING NO.	
-		3rd	1 / 1	△5 2500F AA 01 A0	
OTHERWISE NOTE		GENERAL TOLERANCE	QUANTITY	REV.	
-		-	1	5	
			SHEET No.		
			2 / 2		

2019.01.23