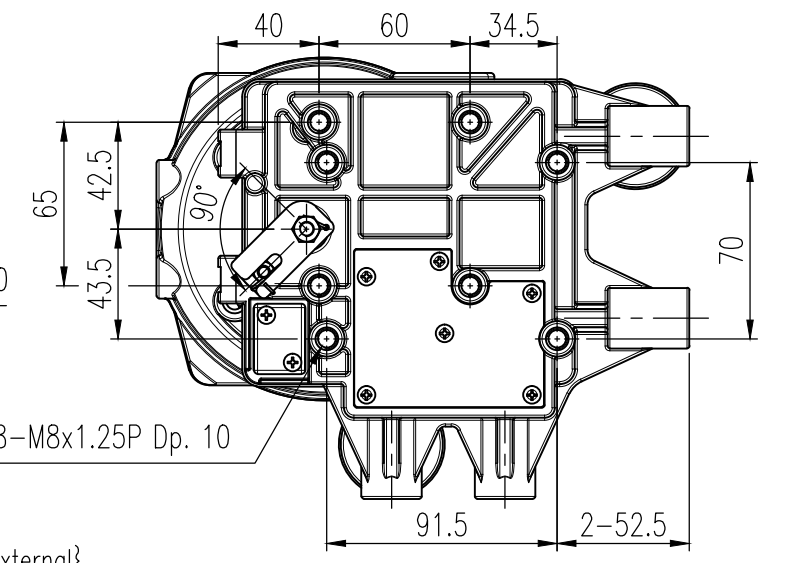
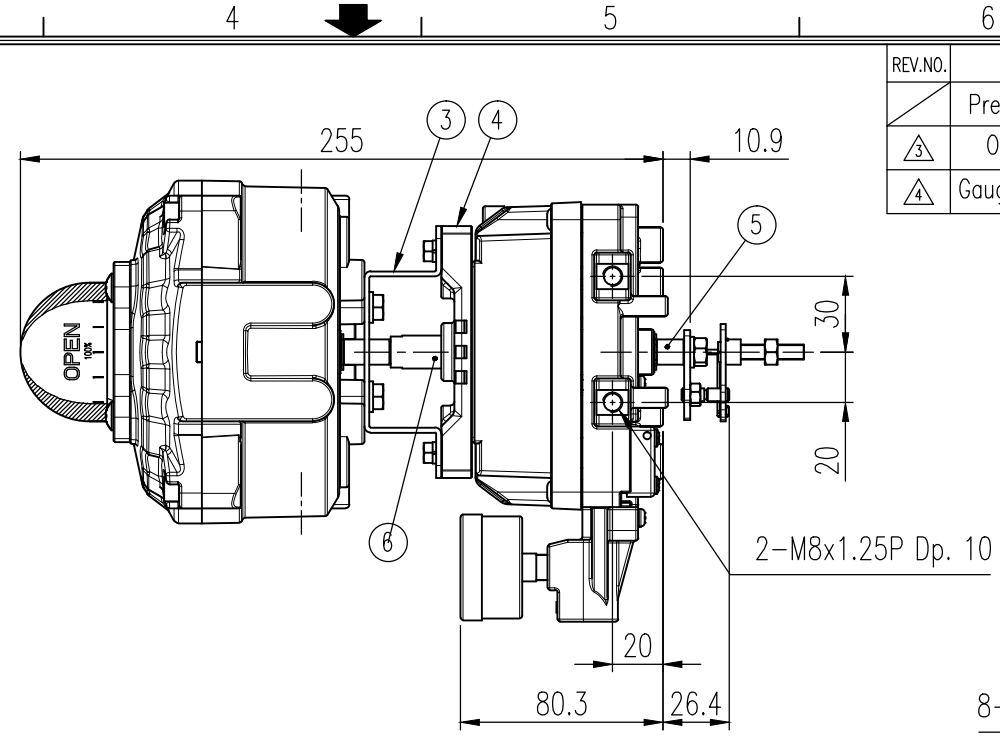
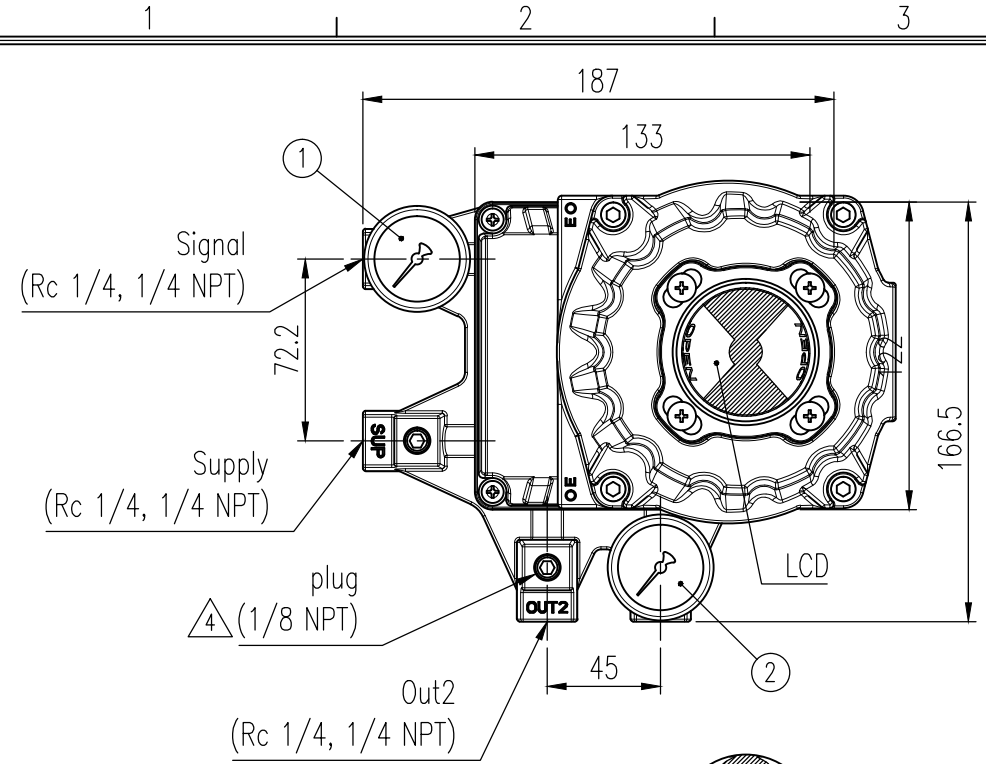


REV.NO.	REVISION DESCRIPTION	DRAWN / DATE	REVIEWED / DATE	APPROVED / DATE
	Previous versions omitted			
△	Operating → Ambient	KYJ/20201127	JCS/20201127	KTJ/20201127
△	Gauge threads integrated ...	KCH/20250102	JCS/20250102	KTJ/20250102



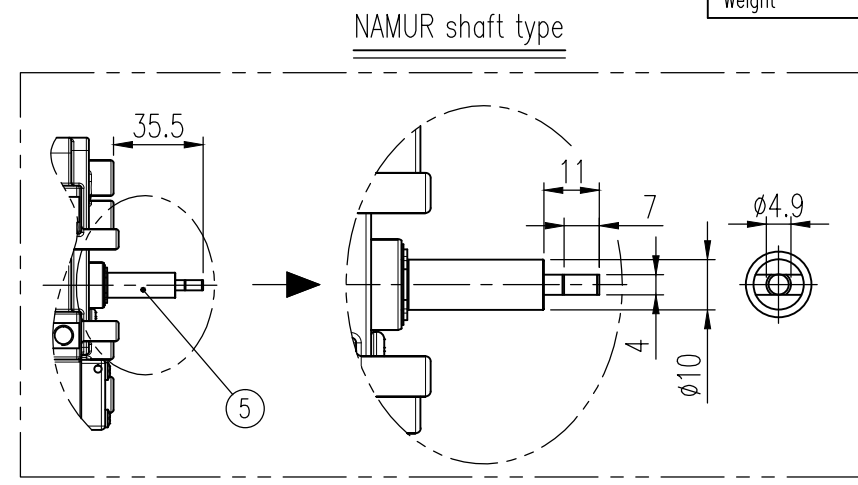
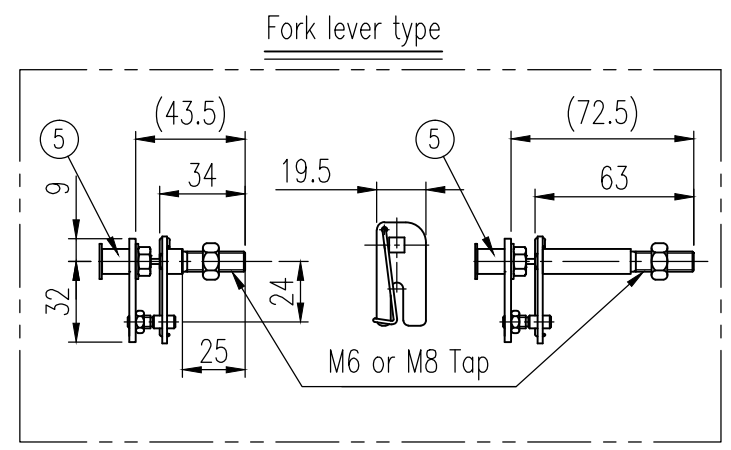
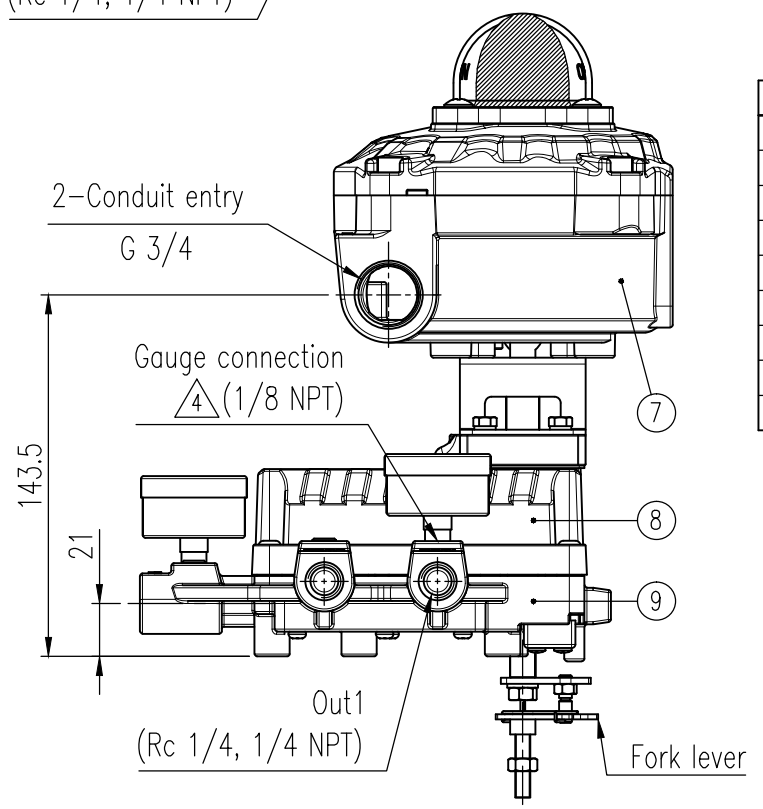
No.	Part name	Material	Q'ty	Remark
1	Pressure gauge	STS304	1	Signal, 0.2 MPa
2	Pressure gauge	STS304	1	Out1, 0.8 MPa
3	Bracket	STS304	1	
4	Bracket block	ALDC12	1	
5	Main shaft	STS303	1	
6	Adapter	STS303	1	
7	YT-870	-	1	
8	Base cover	ALDC12	1	
9	Base body	ALDC12	1	

Specification {YT-870(Limit switch & SPTM) External}

Model		YT-870	
Limit Switch	Switch Type	Mechanical Switch, 2 x SPDT <input type="checkbox"/> (2 x SPDT)	Inductive Proximity Sensor <input type="checkbox"/> x 2
		SS-5GL (OMRON)	PS17-5DNU (Autonics, NPT type)
Switch Rating	AC	250 V 3A, 125 V 5A	-
	DC	250 V 0.2 A, 125 V 0.4 A, 30 V 4 A, 14 V 5 A, 8 V 5 A	12 to 24 V
Terminal		8 Point	
SPTM	Input Type	2 Wire	X
	Load Resistance	$R_{ext} \leq (V_s - 9) / 20 \text{ mA}$, 750 ohms @ $V_s = 24 \text{ V}$	
	Supply Voltage	9-28 V DC	
Ingress Protection		Type 4, 4X (CSA), IP 67	
Explosion Protection		Flameproof enclosure: KCs, ATEX, IECEx, CSA, CCC Refer to certificates for details.	
Ambient Temp.		-20 to 60°C (-4 to 140°F)	
Conduit entry		G 3/4 (for CSA or CCC, 1/2 NPT)	
Housing Material		Aluminum	
Weight		1.5kg (3.3 lb)	

Specification (Positioner)

Motion type	Rotary	
Acting Type	<input type="checkbox"/> Single	<input type="checkbox"/> Double
Input Signal	0.02 to 0.1 MPa (0.2 to 1 bar)	
Supply Pressure	0.14 to 0.7 MPa (1.4 to 7 bar)	
Stroke	55 to 100°	
Air Connection,	<input type="checkbox"/> Rc 1/4	<input type="checkbox"/> 1/4 NPT
Gauge Connection	1/8 NPT	
Ambient Temp.	-20 to 70 °C (-4 to 158 °F)	
Pressure Gauge	Signal	0.2 MPa
	Output 1	0.8 MPa
Linearity	± 2.0 % F.S.	
Hysteresis	± 1.0 % F.S.	
Sensitivity	± 0.5 % F.S.	
Repeatability	± 0.5 % F.S.	
Flow Capacity	> 80 LPM (Sup. = 0.14 MPa, 1.4 bar)	
Air Consumption	< 2.5 LPM (Sup. = 0.14 MPa, 1.4 bar)	
Ingress Protection	IP66 (excluding the pressure gauges)	
Weight	1.7 kg (3.1 lb)	
Feedback connection type	<input type="checkbox"/> M6x34L	<input type="checkbox"/> M6x63L
	<input type="checkbox"/> M8x34L	<input type="checkbox"/> M8x63L
	<input type="checkbox"/> NAMUR	
Housing Material	Aluminum	
Painting	Polyester Powder Coating	



SURFACE TEXTURE	PRODUCT NAME	PROJECT NAME
FINISH TREATMENT	P/P Positioner	
MATERIAL	MODEL	TITLE
OTHERWISE NOTE	YT-1200R + YT-870	
GENERAL TOLERANCE	PROJECTION	DRAWING NO.
	3rd	
	SCALE	REV.
	1 / 3	
	QUANTITY	1
	SHEET No.	1 / 1

rotork Rotork YTC Limited	
GMP-O-SI, KOREA	
Rotary, External L/S, Explosion proof	
YT-1200R-06	4

2019.01.23