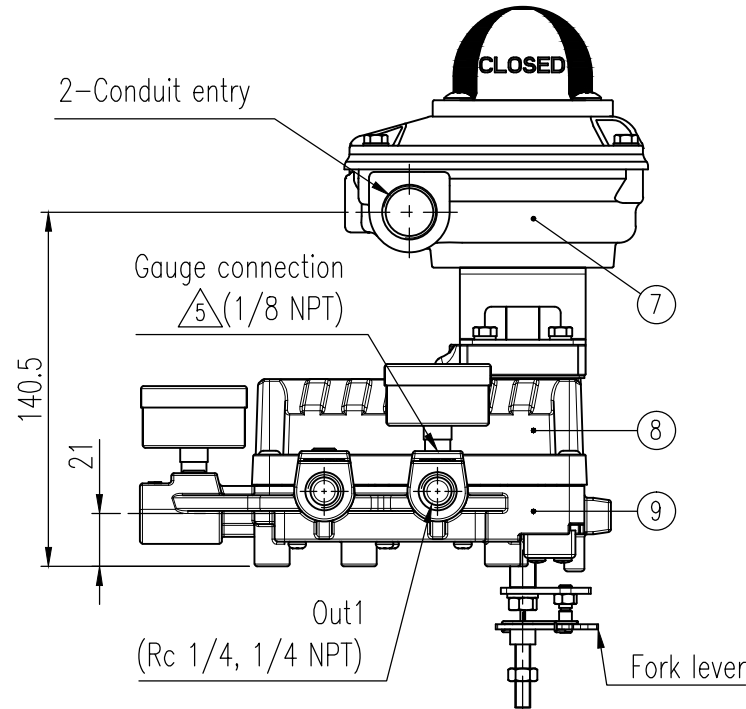
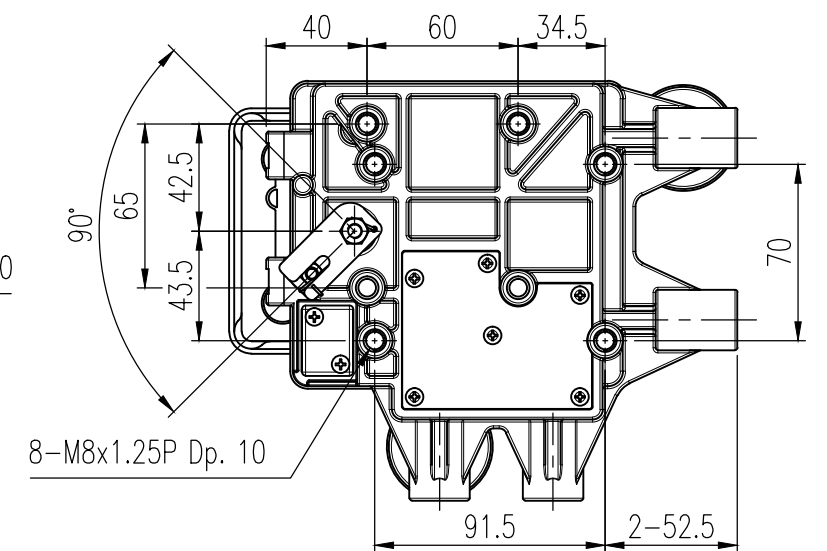
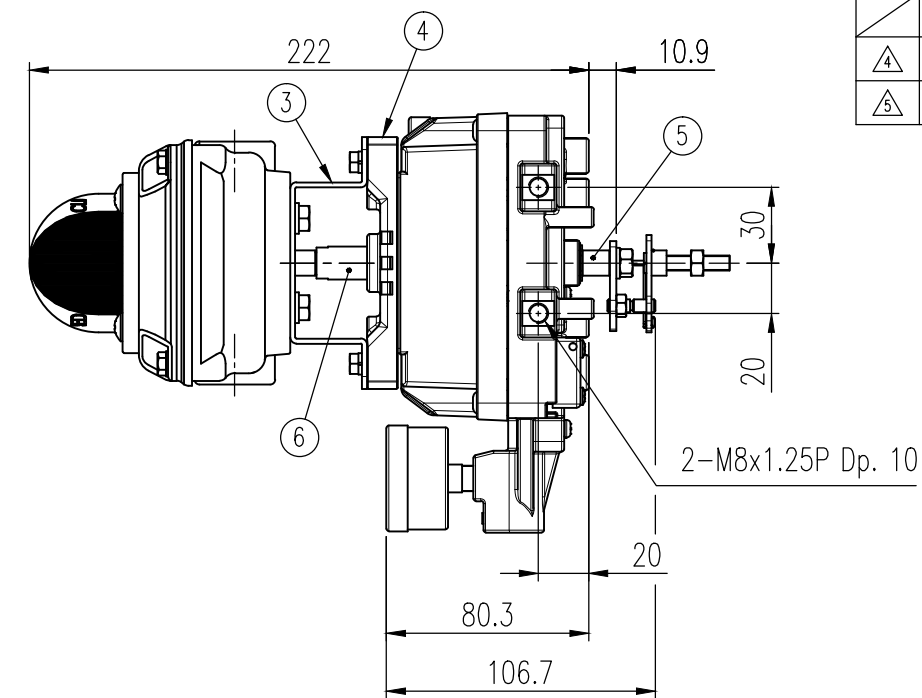
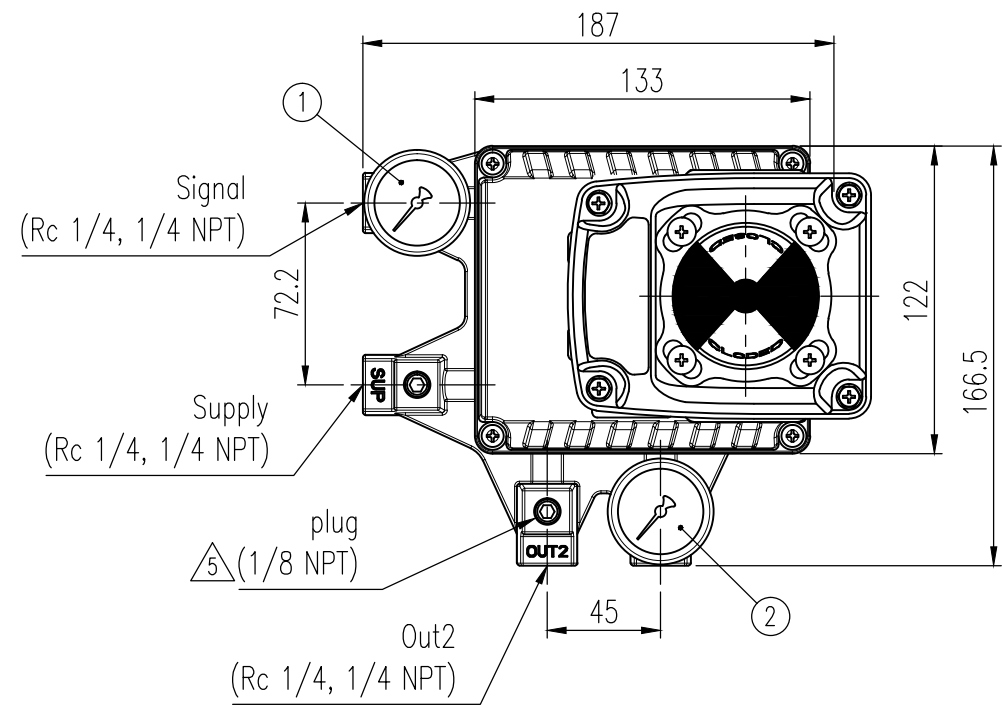


REV.NO.	REVISION DESCRIPTION	DRAWN / DATE	REVIEWED / DATE	APPROVED / DATE
	Previous versions omitted			
△	Operating → Ambient	KCH/20201127	JCS/20201127	KTJ/20201127
△	Gauge threads integrated ...	KCH/20250116	JCS/20250116	KTJ/20250116



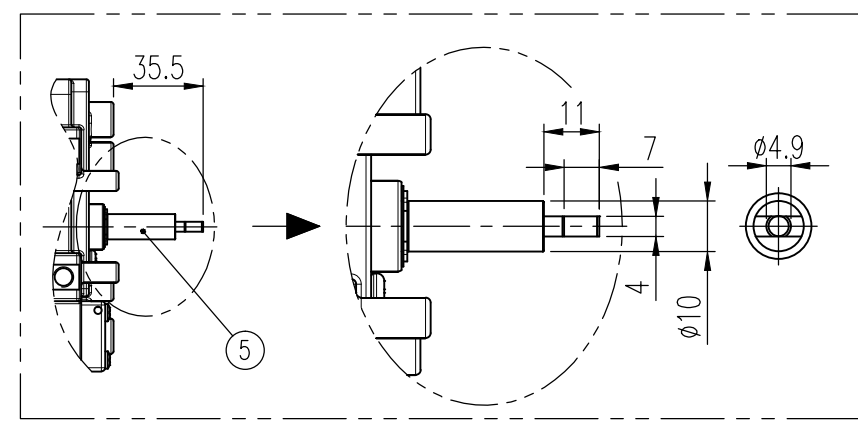
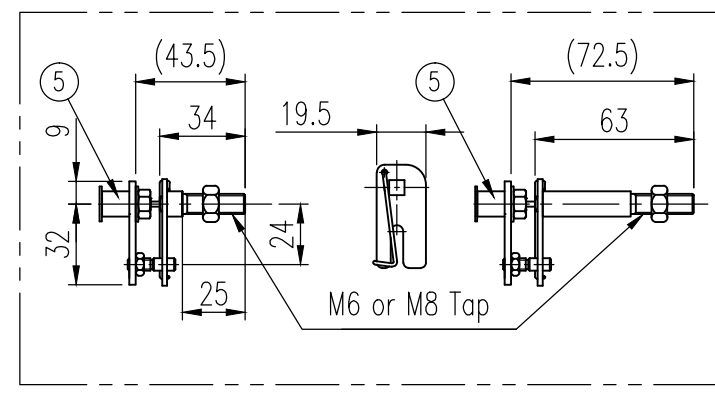
No.	Part name	Material	Q'ty	Remark
1	Pressure gauge	STS304	1	Signal, 0.2 MPa
2	Pressure gauge	STS304	1	Out1, 0.8 MPa
3	Bracket	STS304	1	
4	Bracket block	ALDC12	1	
5	Main shaft	STS303	1	
6	Adapter	STS303	1	
7	YT-850	-	1	
8	Base cover	ALDC12	1	
9	Base body	ALDC12	1	

Specification (YT-850 external)

Limit switch external	
Switch Type	Mechanical Type (2 x SPDT)
Model No.	SS-5GL (OMRON)
Switch Rating	AC 250 V 3 A, 125 V 5 A
	DC 250 V 0.2 A, 125 V 0.4 A, 30 V 4 A, 14 V 5 A, 8 V 5 A
Terminal	8 Points
Conduit Entry	<input type="checkbox"/> G 1/2 <input type="checkbox"/> 1/2 NPT <input type="checkbox"/> M20x1.5P
Explosion Protection	Non-Explosion proof
Ingress Protection	IP67
Ambient Temperature	-25 to 70 °C (-13 to 158 °F)

Specification (Positioner)

Motion type		Rotary	
Acting Type	<input type="checkbox"/> Single	<input type="checkbox"/> Double	
Input Signal	0.02 to 0.1 MPa (0.2 to 1 bar)		
Supply Pressure	0.14 to 0.7 MPa (1.4 to 7 bar)		
Stroke	55 to 100°		
Air Connection	<input type="checkbox"/> Rc 1/4	<input type="checkbox"/> 1/4 NPT	
Gauge Connection	1/8 NPT		
Ambient Temp.	-20 to 70 °C (-4 to 158 °F)		
Pressure Gauge	Signal	0.2 MPa	
	Output 1	0.8 MPa	
Linearity	± 2.0 % F.S.		
Hysteresis	± 1.0 % F.S.		
Sensitivity	± 0.5 % F.S.		
Repeatability	± 0.5 % F.S.		
Flow Capacity	> 80 LPM (Sup. = 0.14 MPa, 1.4 bar)		
Air Consumption	< 2.5 LPM (Sup. = 0.14 MPa, 1.4 bar)		
Ingress Protection	IP66 (excluding the pressure gauges)		
Weight	1.7 kg (3.1 lb)		
Feedback connection type	<input type="checkbox"/> M6x34L	<input type="checkbox"/> M6x63L	<input type="checkbox"/> NAMUR
	<input type="checkbox"/> M8x34L	<input type="checkbox"/> M8x63L	
Housing Material	Aluminum		
Painting	Polyester Powder Coating		



SURFACE TEXTURE	PRODUCT NAME	PROJECT NAME
FINISH TREATMENT	P/P Positioner	
MATERIAL	MODEL	rotork® Rotork YTC Limited GMP-O-SI, KOREA
OTHERWISE NOTE	YT-1200R + YT-850	
GENERAL TOLERANCE	PROJECTION	TITLE
	3rd	
	SCALE	DRAWING NO.
	1 / 3	
	QUANTITY	REV.
	1	5
	SHEET No.	
	1 / 1	

2019.01.23