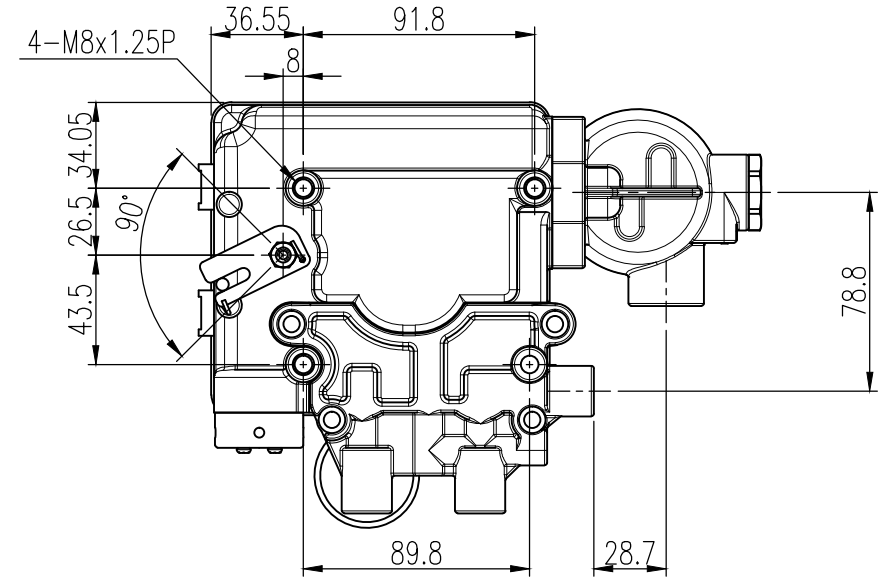
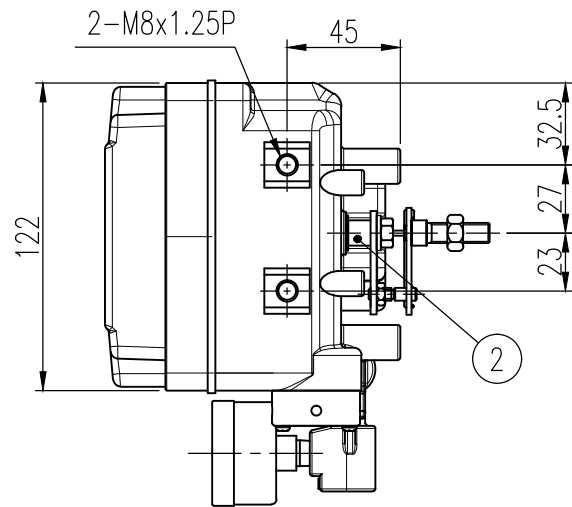
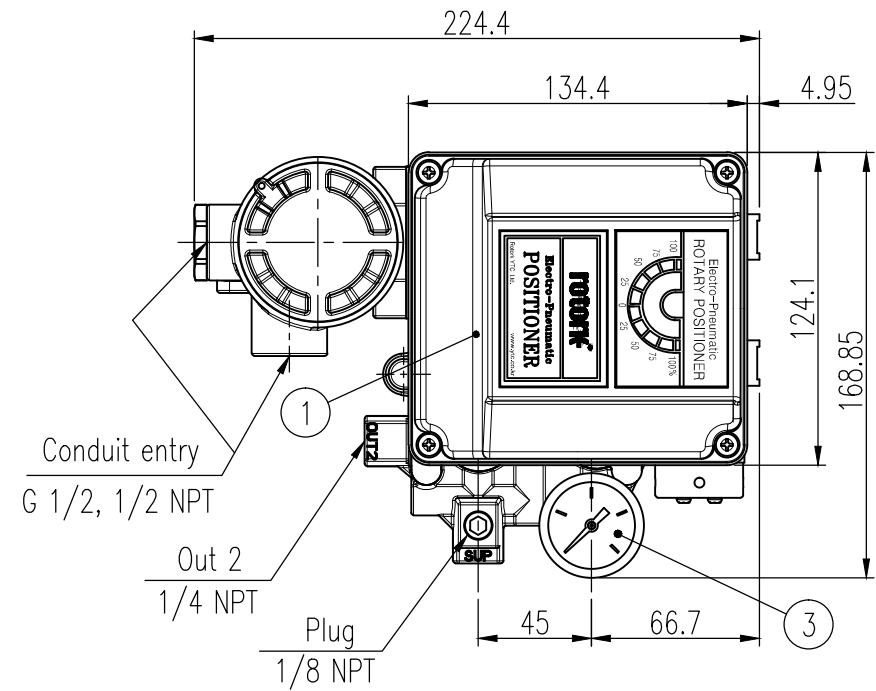


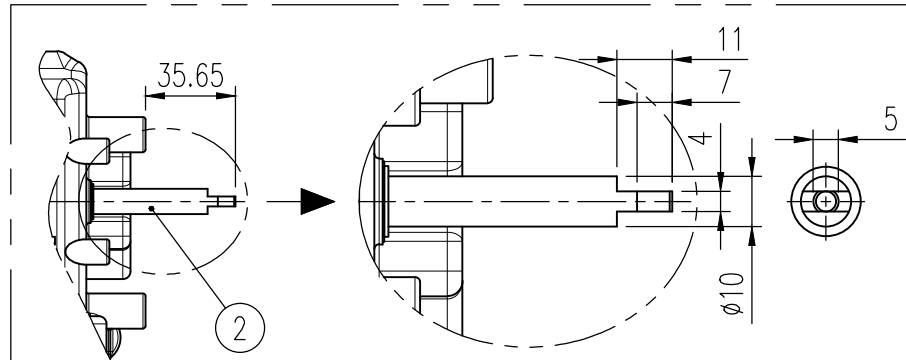
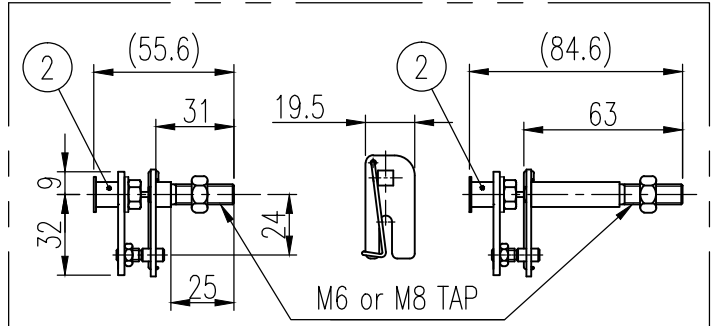
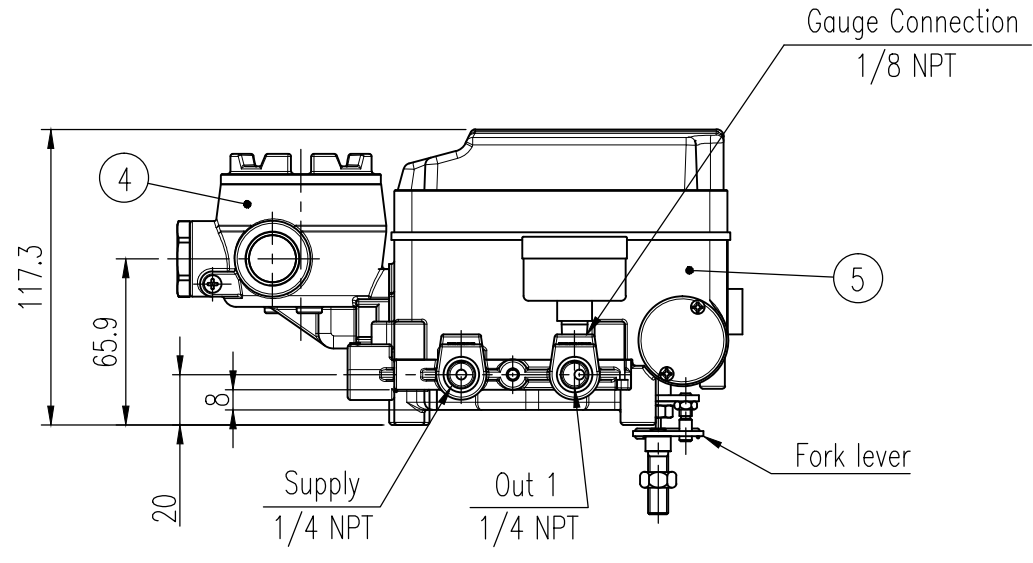
REV.NO.	REVISION DESCRIPTION	DRAWN / DATE	REVIEWED / DATE	APPROVED / DATE
	Previous versions omitted			
3	Company name changed	KCH/20191023	JCS/20191023	KTJ/20191023
4	Gauge threads integrated ...	KCH/20250116	JCS/20250116	KTJ/20250116



Specification

Motion Type	Linear
Acting Type	<input type="checkbox"/> Single <input type="checkbox"/> Double
Input Signal	4-20 mA DC
Impedance	Max. 250 ± 15Ω
Supply Pressure	0.14 to 0.7 MPa (1.4 to 7 bar)
Stroke	55 ~ 100"
Conduit entry,	<input type="checkbox"/> G 1/2 (N/A for CCC) <input type="checkbox"/> 1/2 NPT (only CCC)
Air Connection,	1/4 NPT
Gauge Connection	1/8 NPT
Explosion Protection	<input type="checkbox"/> Non-explosion proof <input type="checkbox"/> ATEX, IECEx, UKEX, PESO : Ex db mb IIB T5 Gb <input type="checkbox"/> KCs : Ex db mb IIB T5/T4 Gb <input type="checkbox"/> INMETRO : Ex db mb IIB T5 Gb <input type="checkbox"/> CCC, NEPSI : Ex db mb IIB T5 Gb
Orifice Type	<input type="checkbox"/> Ø1 <input type="checkbox"/> Ø2 <input type="checkbox"/> None

Operating Temp.	Standard	<input type="checkbox"/> -20 to 70 °C (-4 to 158 °F)
	High	<input type="checkbox"/> -20 to 120 °C (-4 to 248 °F)
	Low	<input type="checkbox"/> -40 to 70 °C (-40 to 158 °F)
Ambient Temperature of Explosion Proof	ATEX ... : -20 to 60 °C (-4 to 140 °F)	
	KCs : (T5) -20 to 70 °C (-4 to 140 °F), (T4) -20 to 120 °C (-4 to 248 °F)	
Linearity	Single	± 1.0 % F.S.
	Double	± 2.0 % F.S.
Hysteresis	± 1.0 % F.S.	
Sensitivity	Single	± 0.2 % F.S.
	Double	± 0.5 % F.S.
Repeatability	± 0.5 % F.S.	
Flow Capacity	> 80 LPM (Sup. = 0.14 MPa, 1.4 bar)	
Air Consumption	< 2.5 LPM (Sup. = 0.14 MPa, 1.4 bar)	
Ingress Protection	IP66 (excluding the pressure gauges)	
Weight	5.71 kg (12.6 lb)	
Lever type	<input type="checkbox"/> M6x34L	<input type="checkbox"/> M6x63L
	<input type="checkbox"/> M8x34L	<input type="checkbox"/> M8x63L
Housing Material	<input type="checkbox"/> NAMUR	
Stainless steel 316		



No.	Part name	Material	Q'ty	Remark
1	Base cover	Stainless steel 316	1	
2	Main shaft	Stainless steel 316	1	Fork lever or NAMUR
3	Pressure gauge	Stainless steel 316	1	
4	Junction box	Stainless steel 316	1	
5	Base body	Stainless steel 316	1	

SURFACE TEXTURE	PRODUCT NAME	E/P Positioner	
FINISH TREATMENT	MODEL	YT-1050R	
MATERIAL	PROJECTION	SCALE	1 / 3
OTHERWISE NOTE	GENERAL TOLERANCE	QUANTITY	SHEET No. 1 / 1

PROJECT NAME		-	
rotork		Rotork YTC Limited	
GIMPO-SI, KOREA		TITLE	
Rotary Standard Positioner drawing		DRAWING NO.	
YT-1050R-01		REV. 4	