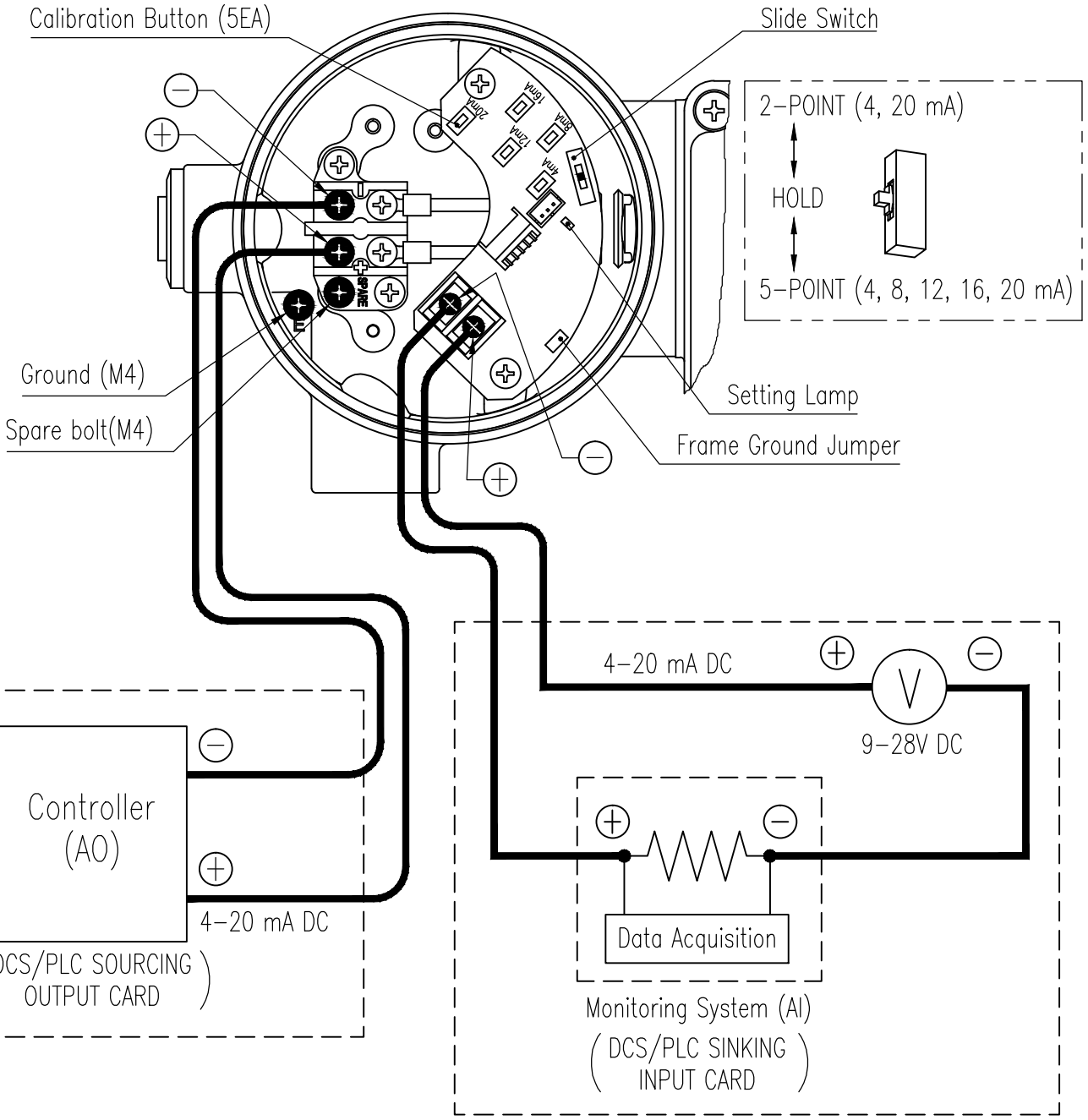


REV.NO.	REVISION DESCRIPTION	DRAWN / DATE	REVIEWED / DATE	APPROVED / DATE
	Previous versions omitted			
△	PTM line modified	KCH/20191206	JJS/20191206	KTJ/20191206
△	Number range displs changed	KYJ/20241119	JJS/20241119	KTJ/20241119



$R_L$  = Resistance value of position feedback line (Power + Wire + Monitoring system)

$$R_L \leq \frac{V_s[V] - 9[V]}{I [mA]}$$

SURFACE TEXTURE		PRODUCT NAME		<b>rotork</b> Rotork YTC Limited <small>GIMPO-SI, KOREA</small>	
-		E/P POSITIONER			
FINISH TREATMENT		MODEL		TITLE	
-		YT-1000		YT-1000 + SPTM internal WIRING DIAGRAM	
MATERIAL		PROJECTION	SCALE	DRAWING NO.	
-		3rd	1 / 1.5	1000-06	
OTHERWISE NOTE	GENERAL TOLERANCE	QUANTITY	SHEET No.	REV.	
-	-	1	1 / 1	6	

2019.01.23