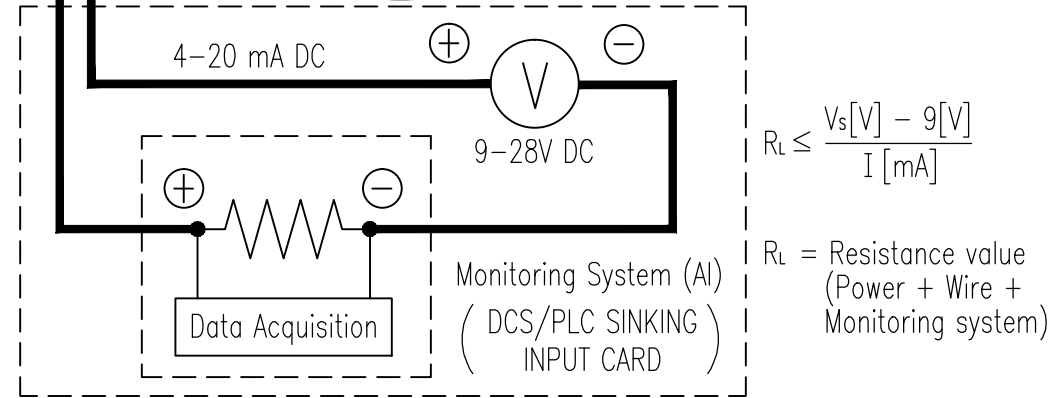
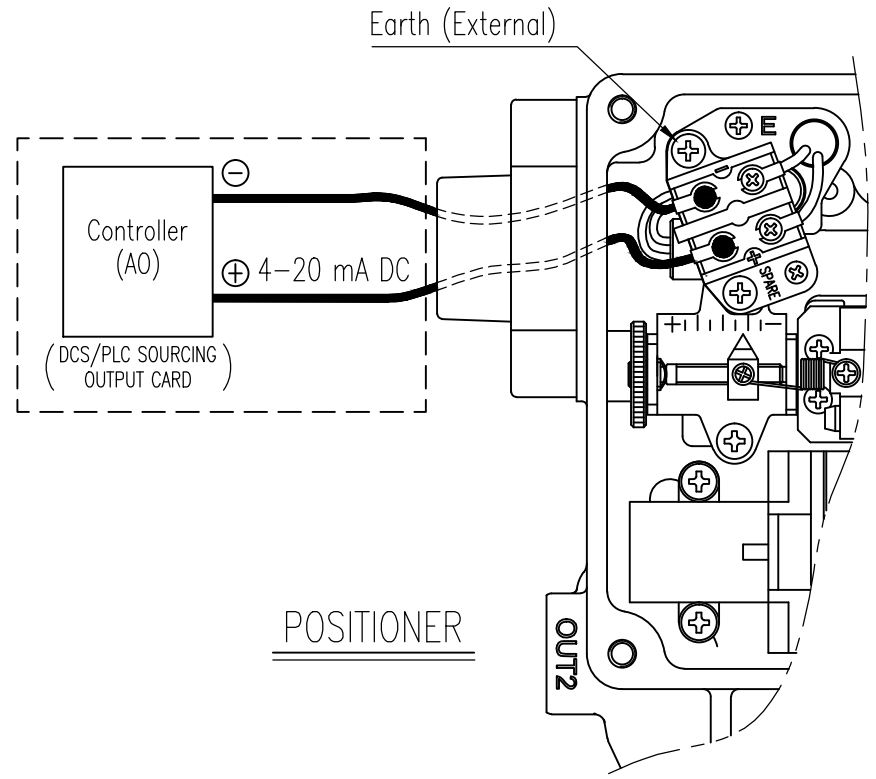
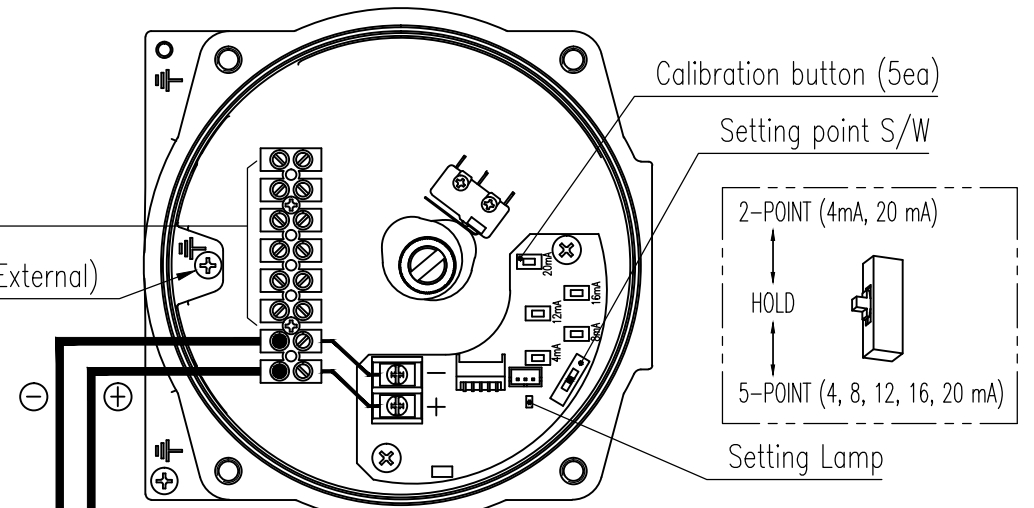
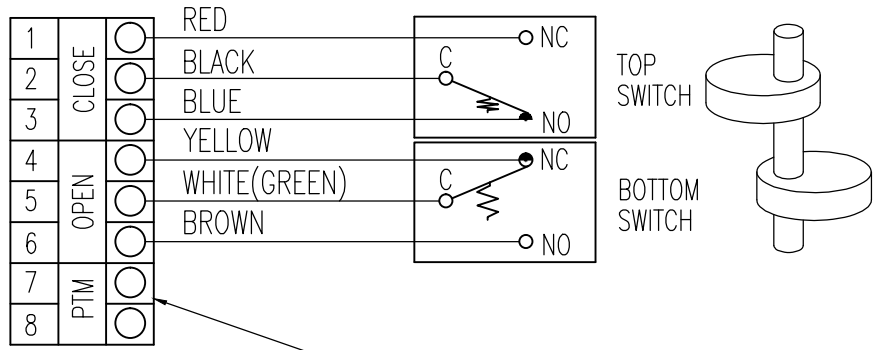


REV.NO.	REVISION DESCRIPTION	DRAWN / DATE	REVIEWED / DATE	APPROVED / DATE
	Previous versions omitted			
2	PTM line modified	KCH/20191206	JJS/20191206	KTJ/20191206
3	Number range dispys changed	KYJ/20250206	JJS/20250206	KTJ/20250206



$$R_L \leq \frac{V_s[V] - 9[V]}{I [mA]}$$

R_L = Resistance value (Power + Wire + Monitoring system)

SURFACE TEXTURE		PRODUCT NAME		Rotork YTC Limited GIMPO-SI, KOREA	
-		E/P POSITIONER			
FINISH TREATMENT		MODEL		TITLE YT-1000R(Non-explosion) + SPTM + L/S(SPDT) external WIRING DIAGRAM	
-		YT-1000R		DRAWING NO.	
MATERIAL		PROJECTION	SCALE	REV.	
-		3rd	-	1000-13	
OTHERWISE NOTE	GENERAL TOLERANCE	QUANTITY	SHEET No.	3	
-	-	1	1 / 1		

PROJECT NAME _____