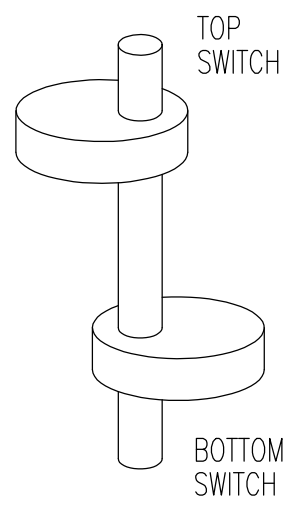
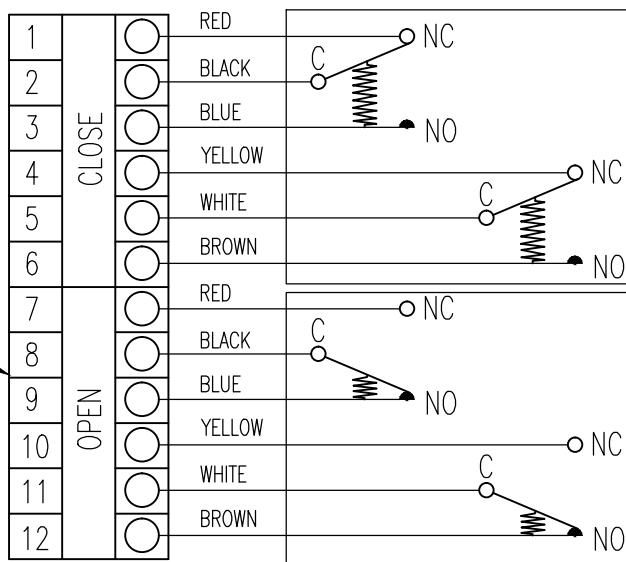
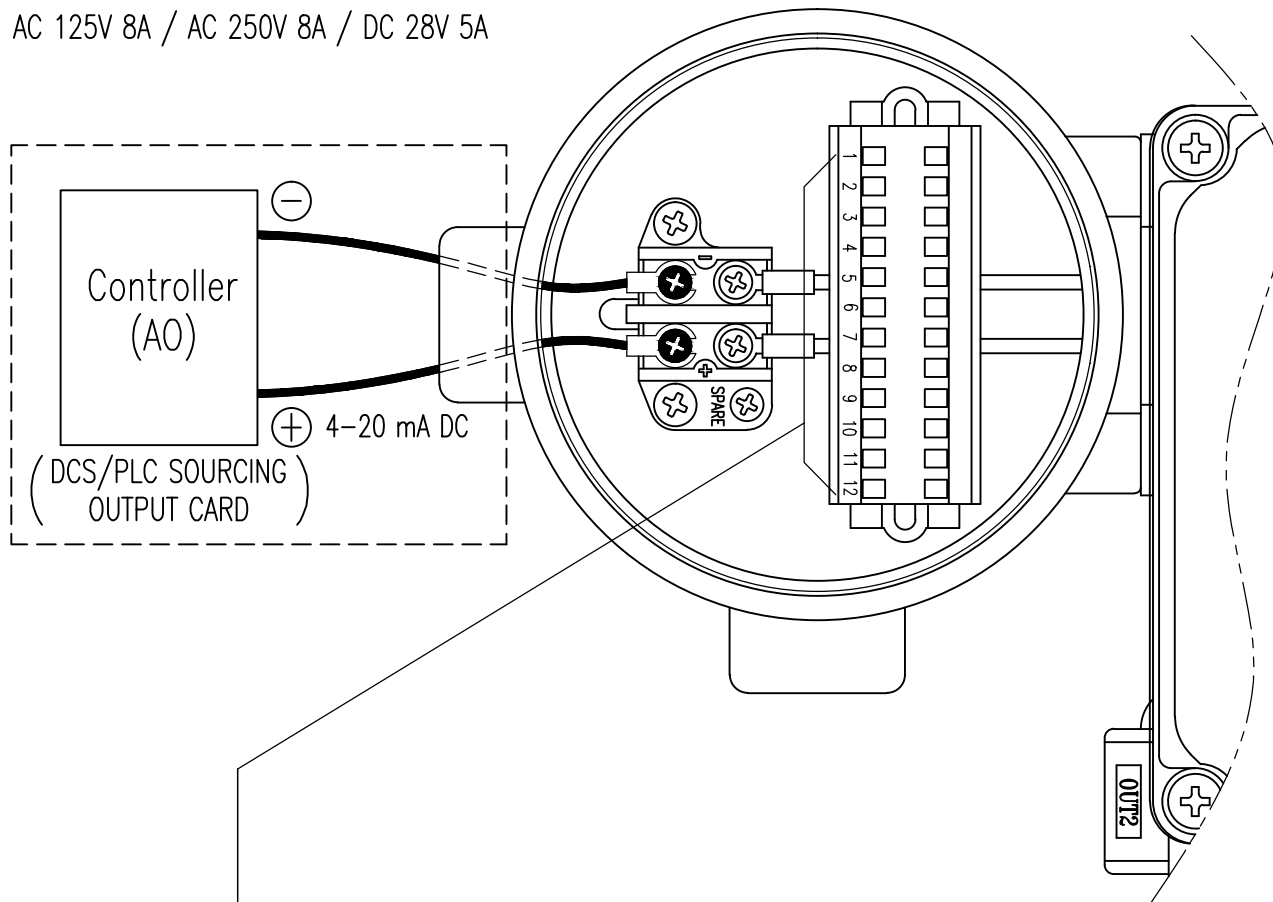


REV.NO.	REVISION DESCRIPTION	DRAWN / DATE	REVIEWED / DATE	APPROVED / DATE
	Previous versions omitted			
③	Drawing title block updated	KCH/20190730	JJS/20190730	KTJ/20190730
④	Number range displys changed	KYJ/20241119	JJS/20241119	KTJ/20241119

* Micro Switch Rating

AC 125V 8A / AC 250V 8A / DC 28V 5A



PROJECT NAME _____

SURFACE TEXTURE		PRODUCT NAME		rotork Rotork YTC Limited <small>GIMPO-SI, KOREA</small>	
-		E/P POSITIONER			
FINISH TREATMENT		MODEL		TITLE YT-1000R + L/S(DPDT) internal WIRING DIAGRAM	
-		YT-1000R			
MATERIAL		PROJECTION	SCALE	DRAWING NO. 1000-08 REV. 4	
-		3rd	-		
OTHERWISE NOTE	GENERAL TOLERANCE	QUANTITY	SHEET No.		
-	-	1	1 / 1		

2019.01.23