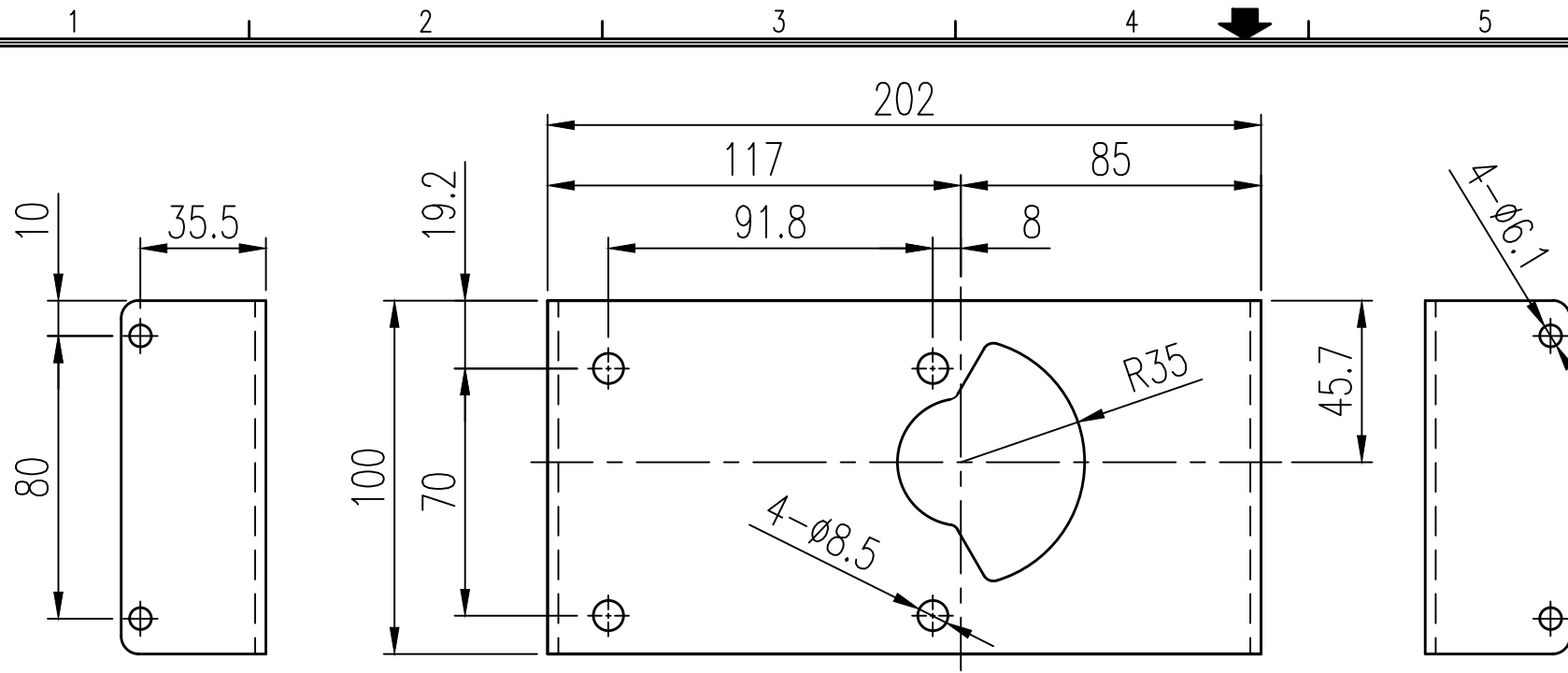
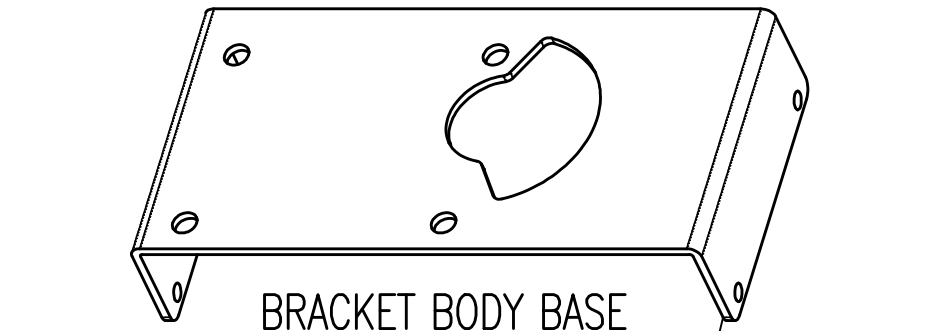


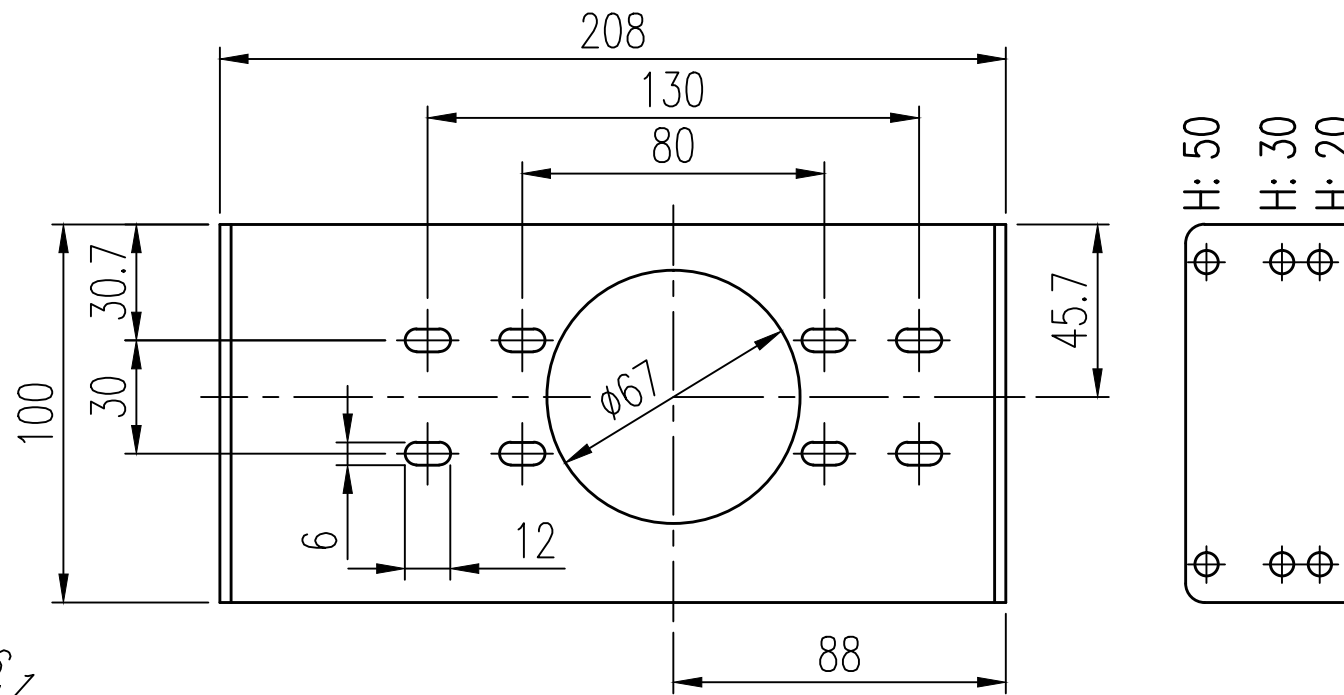
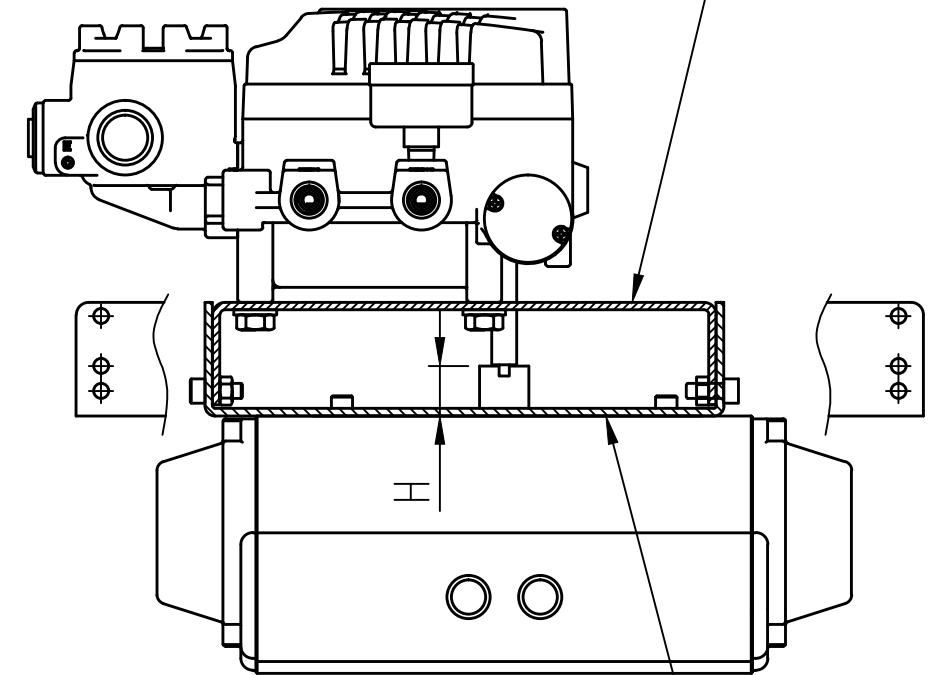
REV.NO.	REVISION DESCRIPTION	DRAWN / DATE	REVIEWED / DATE	APPROVED / DATE
	Previous versions omitted			
△	REVISION	MDK/20121109		
△	Positioner model added	KCH/20241204	JCS/20241204	KTJ/20241204



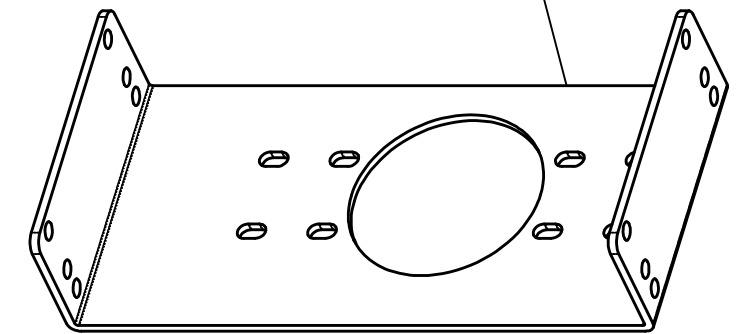
BRACKET BODY BASE



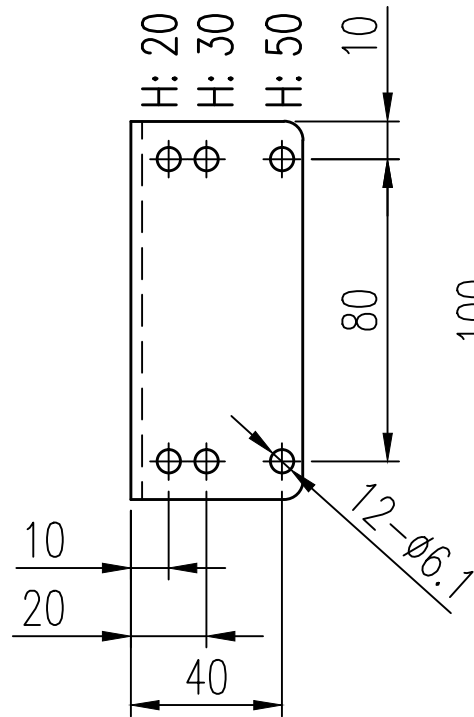
BRACKET BODY BASE



BRACKET ACTUATOR



BRACKET ACTUATOR

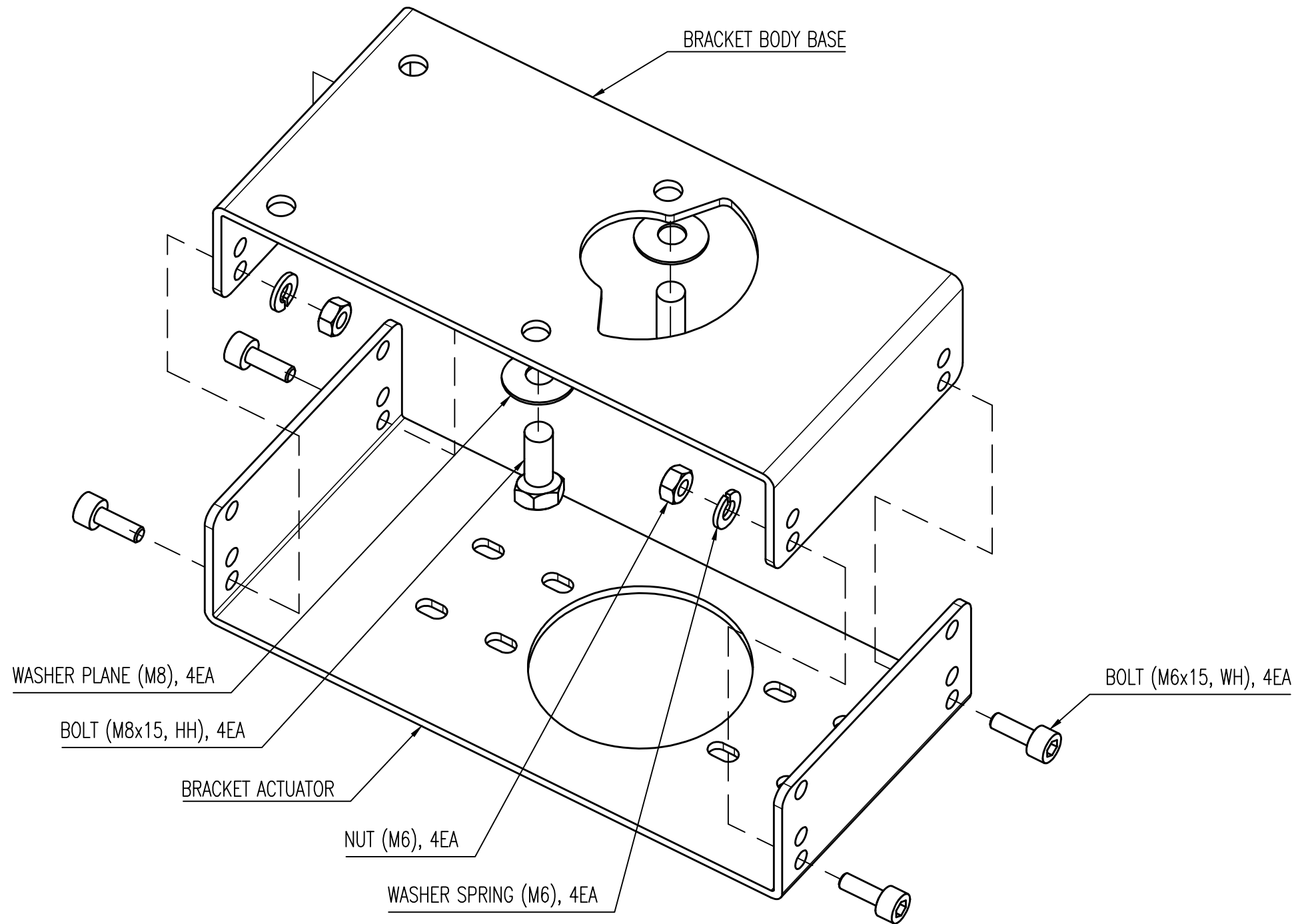


**NOTE**  
 △1. Common to YT-1000R, 1050R

SURFACE TEXTURE		PRODUCT NAME		PROJECT NAME	
-		E/P POSITIONER		-	
FINISH TREATMENT		MODEL		TITLE	
-		YT-1000R, 1050R		rotork Rotork YTC Limited GMP-O-SI, KOREA YT-10x0 RORATY BRACKET ASS'Y	
MATERIAL		PROJECTION	SCALE	DRAWING NO.	
-		3rd	1 / 2	△3 1000F AA 02 A0	
OTHERWISE NOTE		GENERAL TOLERANCE	QUANTITY	SHEET No.	REV.
-		-	1	1 / 2	3

2019.01.23

REV.NO.	REVISION DESCRIPTION	DRAWN / DATE	REVIEWED / DATE	APPROVED / DATE
/	Previous versions omitted	/	/	/
△	REVISION	MDK/20121109	/	/
△	Positioner model added	KCH/20241204	JCS/20241204	KTJ/20241204



**NOTE**  
 △1. Common to YT-1000R, 1050R

SURFACE TEXTURE	-	PRODUCT NAME	E/P POSITIONER
FINISH TREATMENT	-	MODEL	YT-1000R, 1050R
MATERIAL	-	PROJECTION	3rd
OTHERWISE NOTE	-	SCALE	1 / 1.5
GENERAL TOLERANCE	-	QUANTITY	1
		SHEET No.	2 / 2

PROJECT NAME	-
<b>rotork</b> Rotork YTC Limited	
TITLE	YT-10x0 RORATY BRACKET ASS'Y
DRAWING NO.	△3 1000F AA 02 A0
REV.	3

2019.01.23