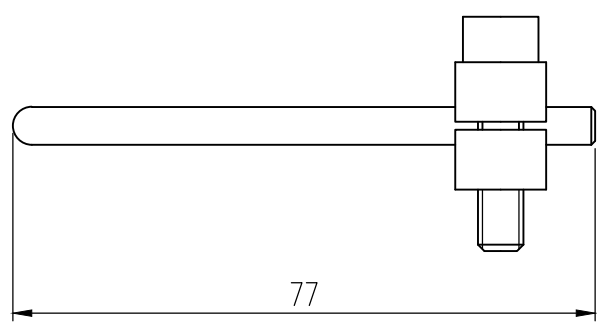
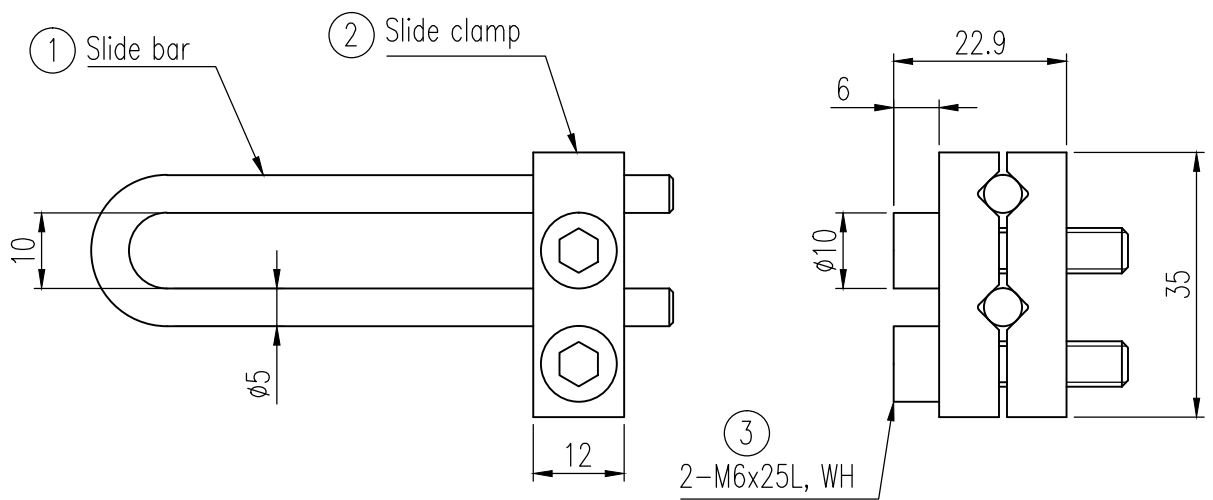



REV.NO.	REVISION DESCRIPTION	DRAWN / DATE	REVIEWED / DATE	APPROVED / DATE
△0	First issued	KCH/20121206	JCS/20121206	LYH/20121206
△1	Company name changed	KCH/20191010	JCS/20191010	LYH/20191010



3	Bolt, M6x25L, WH	STS304	2	
2	Slide clamp	A6061	1	
1	Slide bar	STS303	1	
No.	Part name	Material	Q'ty	Remark

PROJECT NAME _____

SURFACE TEXTURE		PRODUCT NAME		 Rotork YTC Limited <small>GMPO-SI, KOREA</small>	
-		Smart positioner			
FINISH TREATMENT		MODEL		TITLE	
-		YT-3300		U-slide connector ass'y drawing	
MATERIAL		PROJECTION	SCALE	DRAWING NO.	
-		3rd	1 / 1	3300F AA 04 A1	
OTHERWISE NOTE	GENERAL TOLERANCE	QUANTITY	SHEET No.	REV.	
-	-	1	1 / 1	1	