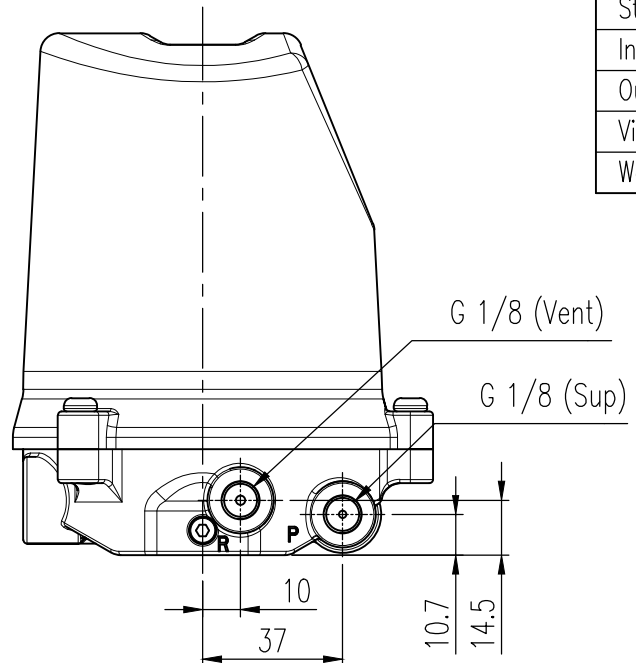
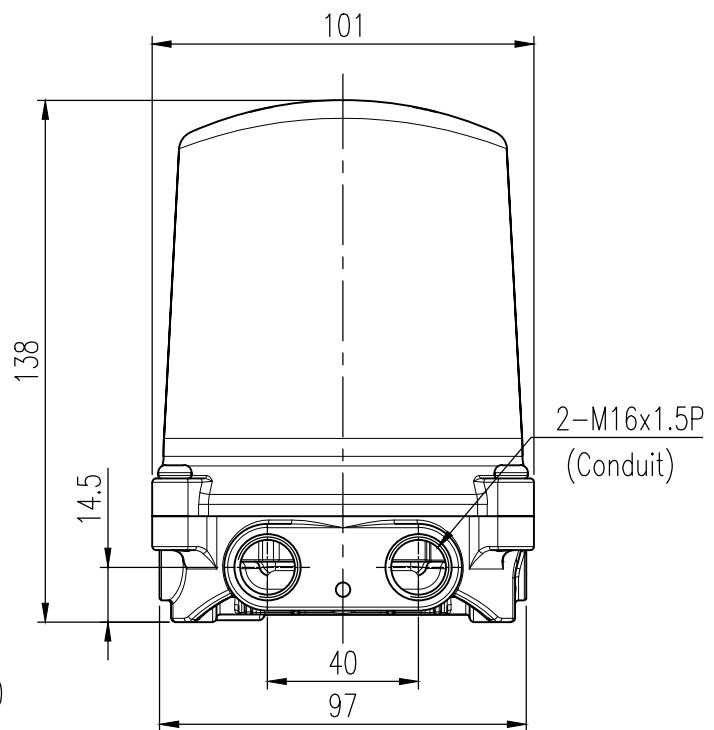
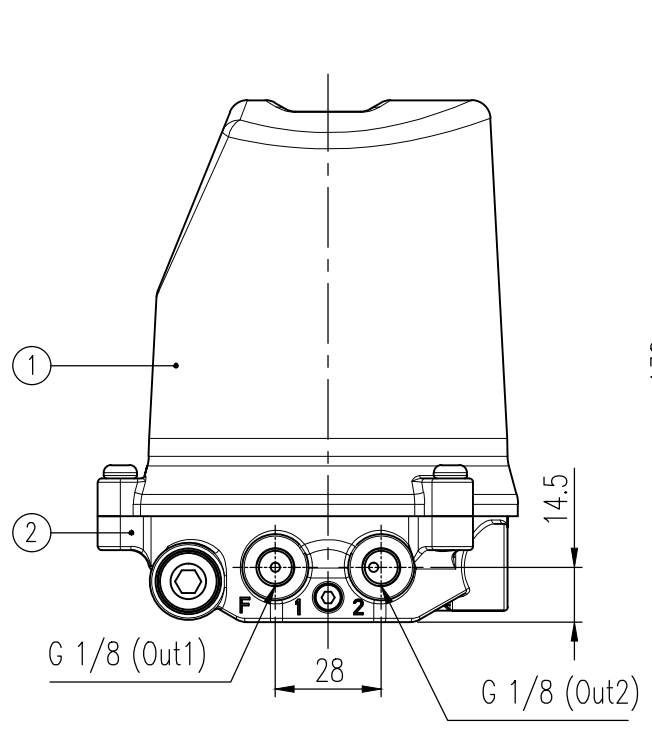
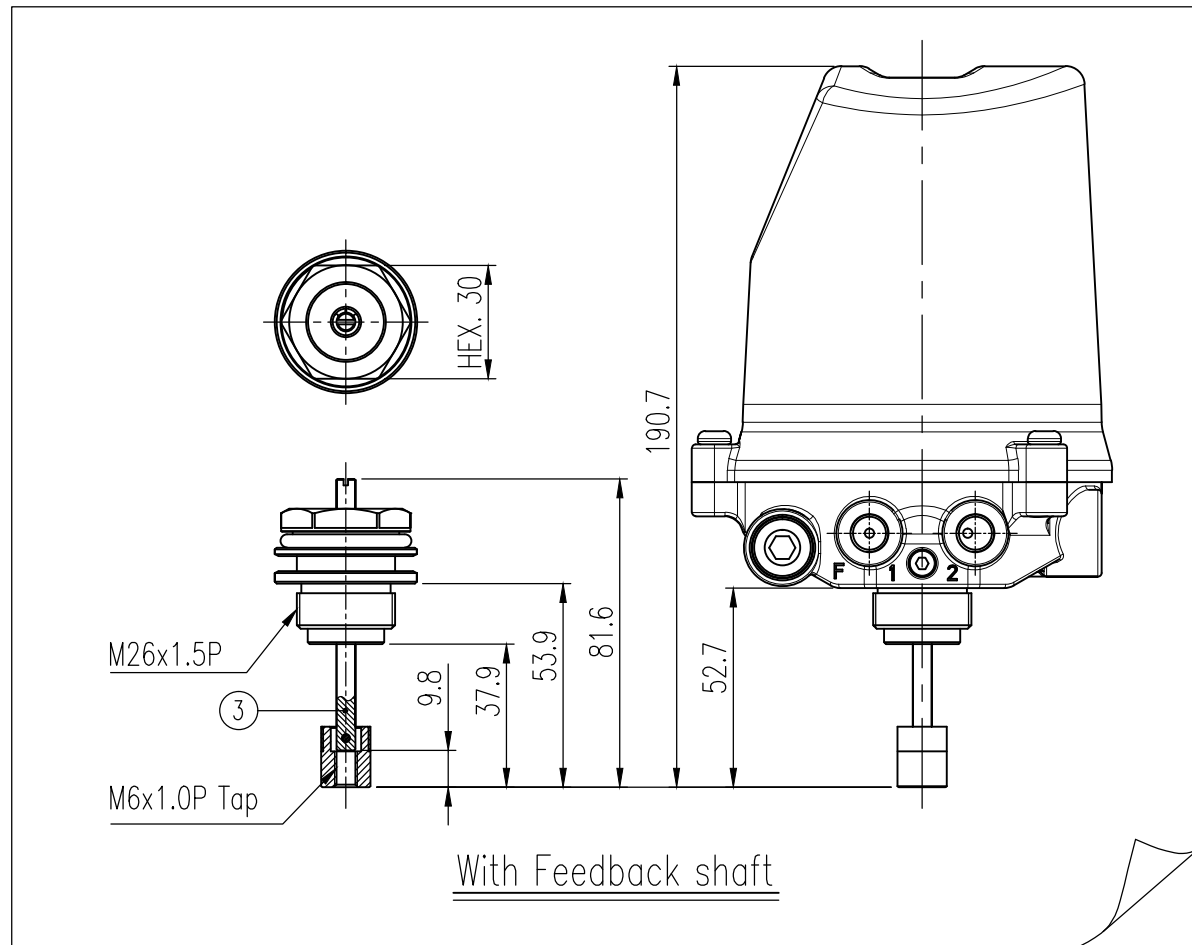
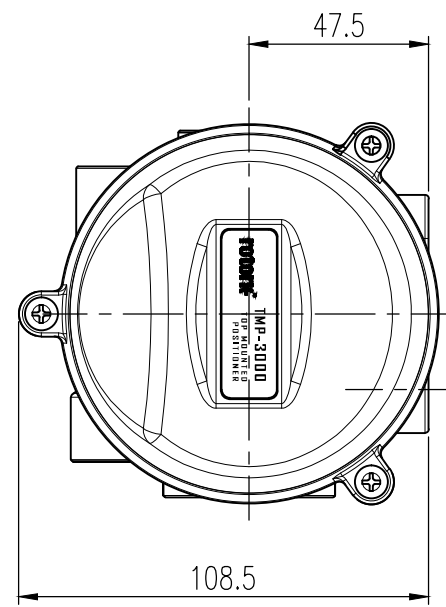


REV.NO.	REVISION DESCRIPTION	DRAWN / DATE	REVIEWED / DATE	APPROVED / DATE
	Previous versions omitted			
3	DRAWING ARRANGEMENT	KBJ/20190903	KCH/20190903	KTJ/20190903
4	Range display changed ...	KCH/20250116	JCS/20250116	KTJ/20250116

SPECIFICATIONS

Acting Type	<input type="checkbox"/> Single <input type="checkbox"/> Double
Explosion Protection	Non-Explosion proof
Power Supply	24 VDC ± 10%, DC 260 mA(@21.6 VDC)
Input Signal	0-20 mA / 4-20 mA / 0-5 V / 0-10 V
Impedance	0-20 mA / 4-20 mA : 164 Ω 0-5 V / 0-10 V : 561 kΩ
Power Consumption	< 5.8 W
<input type="checkbox"/> Output Signal (Option)	4-20 mA (DC 9 to 28 V) Analog Output
Supply Pressure	0 to 0.7 MPa (0 to 7 bar)
Fail Option (Power supply off)	<input type="checkbox"/> Fail Freeze <input type="checkbox"/> Fail Safe
Flow Capacity (Sup.=0.6MPa)	<input type="checkbox"/> 20LPM <input type="checkbox"/> 50LPM
Air consumption	0 LPM
Filtering Size (particle size)	5 Micron
Conduit	2-M16 x 1.5P
Air Connection	G 1/8 (Ø6 mm tube)
Operating Temp.	-10 to 60 °C (14 to 140 °F)
Stroke	5 to 40 mm
Ingress Protection	IP67
Output Characteristic	Linear, Quick Open, EQ%, User Set
Vibration	100 Hz @ No resonance up to 6 G
Weight	750 g (1.7 lb)



NO.	PART NAME	MATERIAL	Q'TY	REMARK
1	BASE COVER	PC	1	
2	BASE BODY	PPS	1	
3	FEEDBACK SHAFT	STS303, ACETAL	1	

SURFACE TEXTURE	PRODUCT NAME	rotork Rotork YTC Limited GIMPO-SI, KOREA
FINISH TREATMENT	TOP MOUNTED POSITIONER	
MATERIAL	MODEL	TMP-3000
OTHERWISE NOTE	PROJECTION	3rd
GENERAL TOLERANCE	SCALE	1 / 2
	QUANTITY	1
	SHEET No.	1 / 1
TITLE		TMP-3000 Standard Positioner drawing
DRAWING NO.		TMP-3000-01
REV.		4