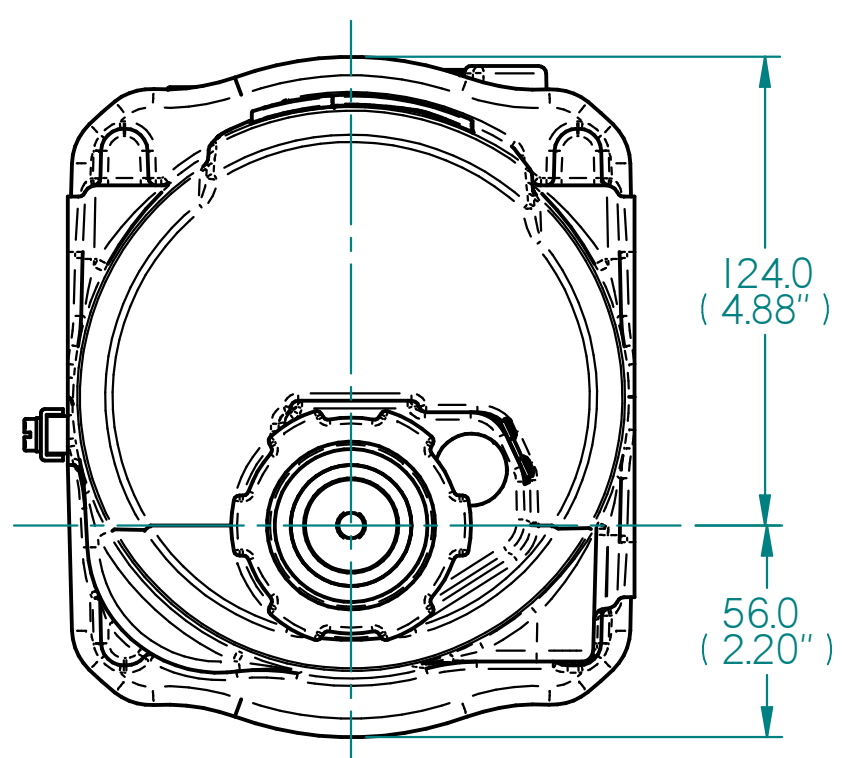


NOTES: 1) ALL DIMENSIONS ARE IN mm WITH CONVERSION FOR (INCHES).
 2) CMA ACTUATORS CAN BE SELECTED WITH EITHER METRIC OR IMPERIAL SIZES FOR MOUNTING, SHAFT AND CONDUIT ENTRY. THESE ARE NOT SIMPLE CONVERSIONS BUT DIFFERENT DIMENSIONS.

DIMENSIONS WITH ' * ' INDICATE COVER REMOVAL ALLOWANCE.

THE INTERFACE PROVIDED FOR MOUNTING THE ACTUATOR ON TO THE VALVE SHOULD CONFORM TO GOOD ENGINEERING PRACTICES, ENSURING ADEQUATE TOLERANCES, THREAD ENGAGEMENT, SCREW TORQUES, SIZES, MATERIALS & FORM TOLERANCES.

UNIT WEIGHT - 22.8 lbs (10.5 Kg)



TOLERANCES		
DIMENSIONS IN MILLIMETERS UNLESS OTHERWISE SPECIFIED		
X = ±.5mm .XX = ±.1mm ANGULAR ±1°		
SCALE: 1:2		
DRAWN: RLY	PROD. DV:	PROD. ENG: RLY
DATE: 5/27/15	DATE:	DATE: 12/13/13

rotork
 Process Controls
 MILWAUKEE, WISCONSIN, USA

This print is the property of Rotork Process Controls and is loaned in confidence subject to return. All rights to design or invention are reserved.

TITLE: CMA INSTALLATION DRAWING		
FOR: CML-100 CML-250 LONG COVER		
96	C	048317