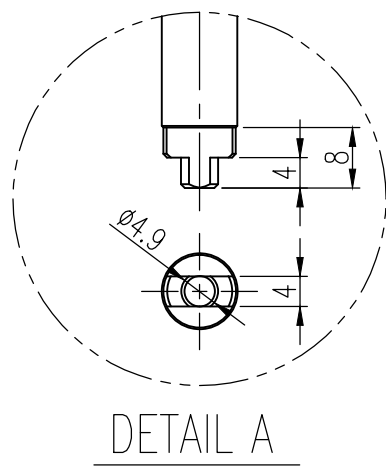
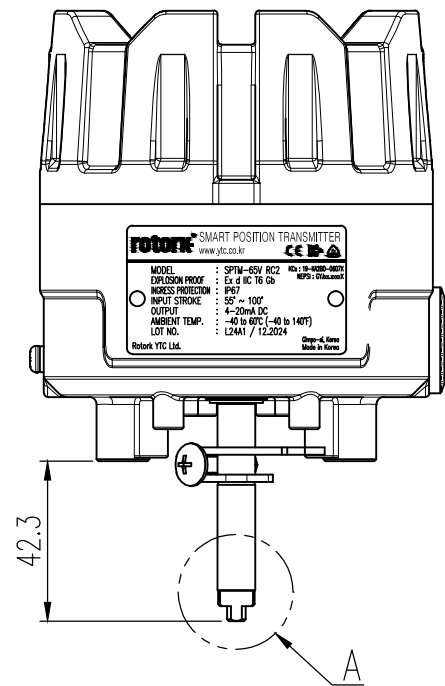
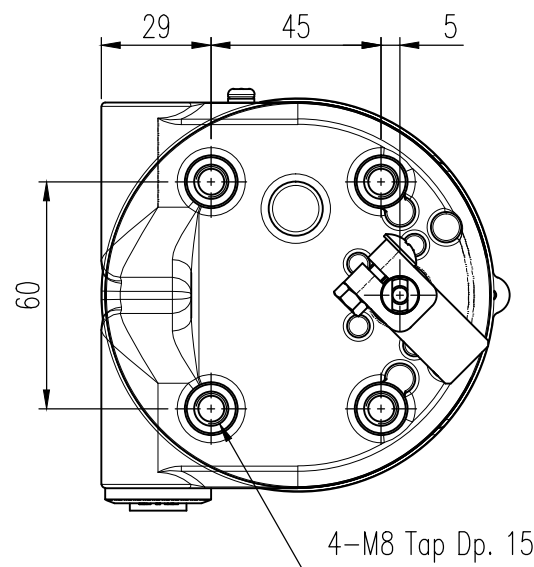
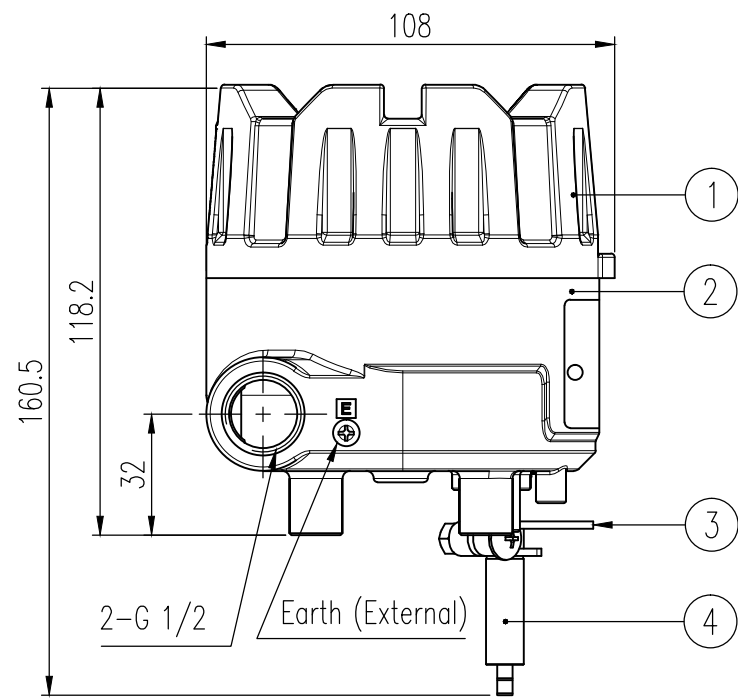
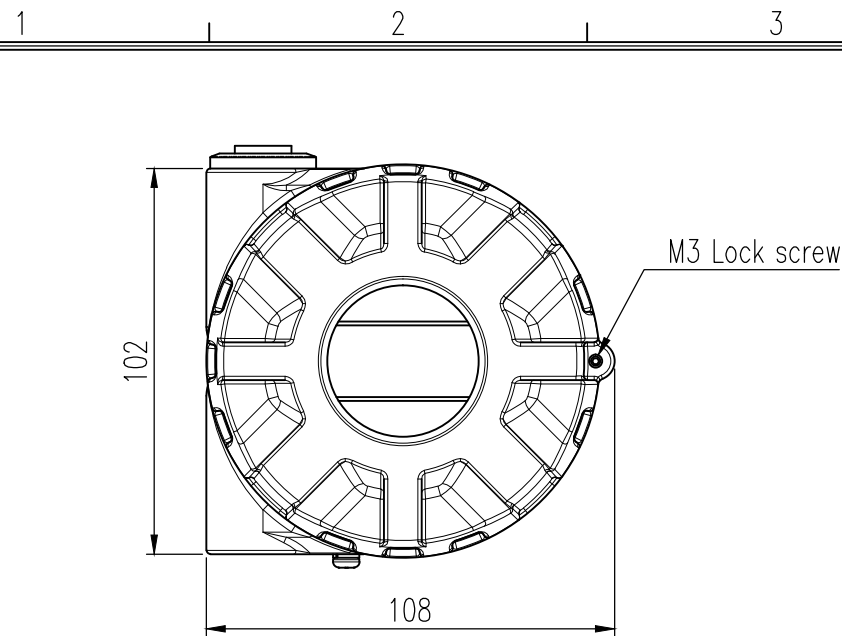


REV.NO.	REVISION DESCRIPTION	DRAWN / DATE	REVIEWED / DATE	APPROVED / DATE
△	First issued	OSS/20141219	JCS/20141219	LYH/20141219
△	Company name changed ...	KSH/20191007	KCH/20191007	KTJ/20191007
△	Range display changed ...	KCH/20241220	JCS/20241220	KTJ/20241220



### Specifications

Connection Type	2 Wire	
Input Stroke	55° to 100°	
Output Signal	4-20 mA DC	
External Load Resistance	$R_{ext} \leq (V_s - 9) / 20 \text{ mA}$ , 750 ohms @ $V_s = 24 \text{ V}$	
Supply Voltage	9-28 V DC	
Conduit Entry	<input type="checkbox"/> G 1/2 (KCs only)	<input type="checkbox"/> 1/2 NPT (NEPSI only)
Explosion Protection	<input type="checkbox"/> KCs : Ex d IIC T6	<input type="checkbox"/> NEPSI : Ex d IIC T6 Gb
Ingress Protection	IP 67	
Ambient Temp.	Operating	-40 to 85°C (-40 to 185°F)
	Explosion Proof	KCs, NEPSI : -40 to 60 °C (-40 to 140°F)
Linearity	±1% F.S.	
Hysteresis	±0.2% F.S.	
Sensitivity	±0.2% F.S.	
Housing Material	Stainless steel 316	
Weight	2.8 kg (6.17 lb)	

No.	Part name	Material	Q'ty	Remark
1	Base cover	SCS14	1	
2	Base body	SCS14	1	
3	Namur stopper	STS316	1	
4	Main shaft	STS316	1	

SURFACE TEXTURE		PRODUCT NAME		PROJECT NAME	
FINISH TREATMENT		Smart position transmitter		-	
MATERIAL		MODEL		rotork Rotork YTC Limited	
OTHERWISE NOTE		PROJECTION		GIMPO-SI, KOREA	
GENERAL TOLERANCE		SCALE		TITLE	
		3rd		Rotary Namur type	
		1 / 2		DRAWING NO.	
		1 / 1		SPTM-65VR-1	
		QUANTITY		REV.	
		1		2	