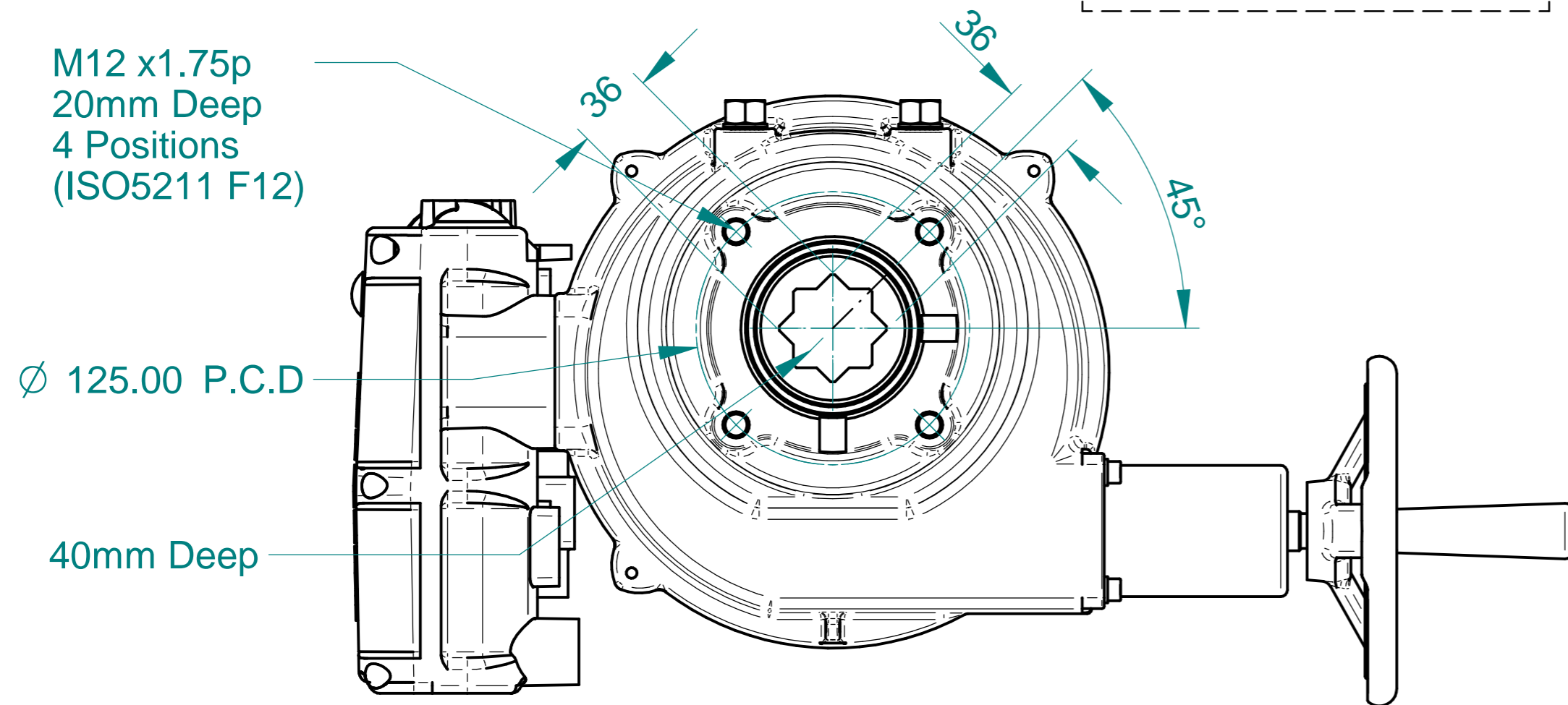


M12 x1.75p
20mm Deep
4 Positions
(ISO5211 F12)



Ø 125.00 P.C.D

