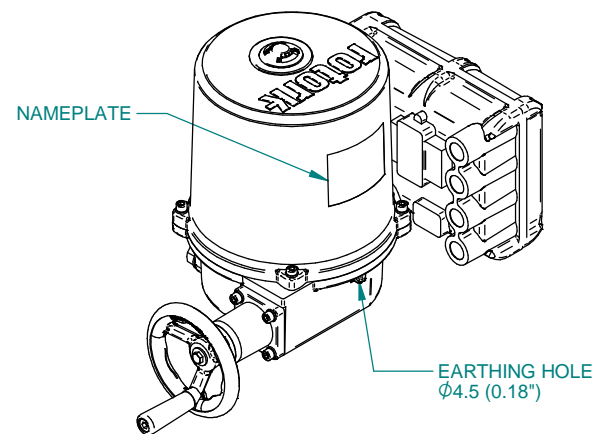
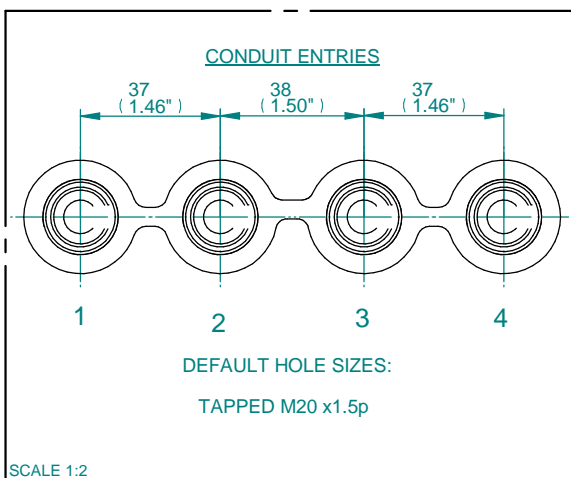
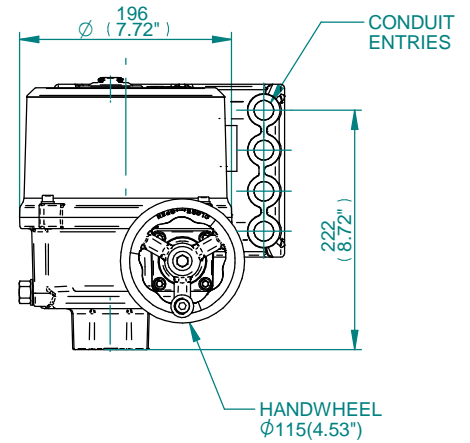
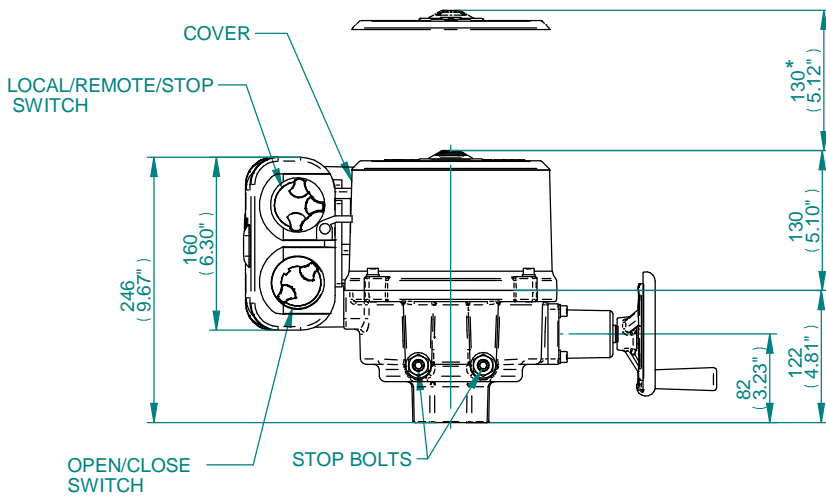
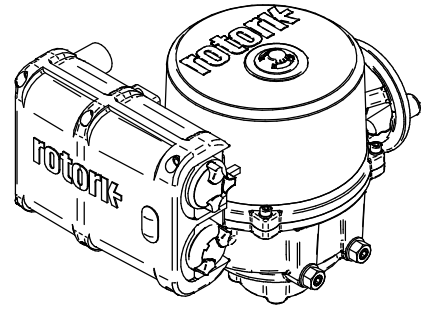
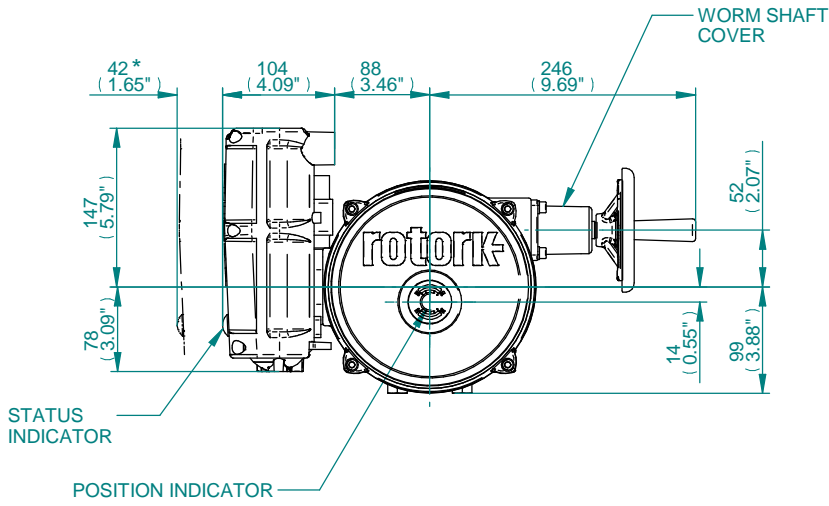


ROMpak 2	110V, 220V AC 1-Phase	SHORT COVER
	220V, 380V, 440V AC 3-Phase	LONG COVER
	12V, 24V AC/DC	

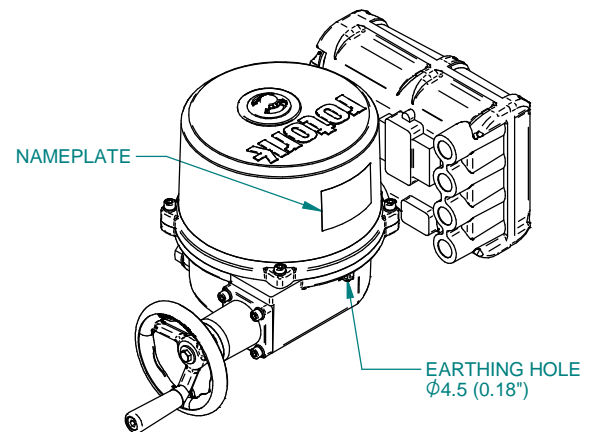
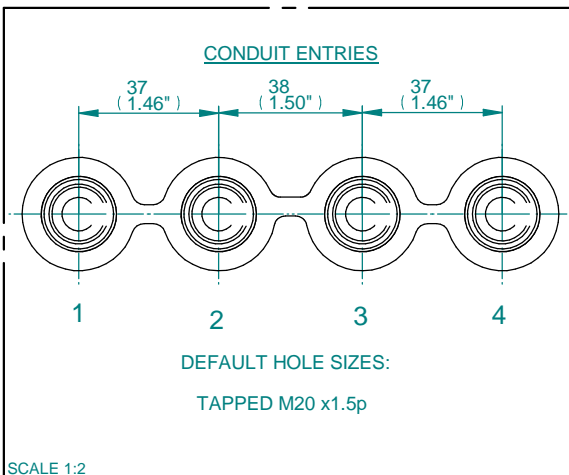


NOTES

*Removal allowance required.

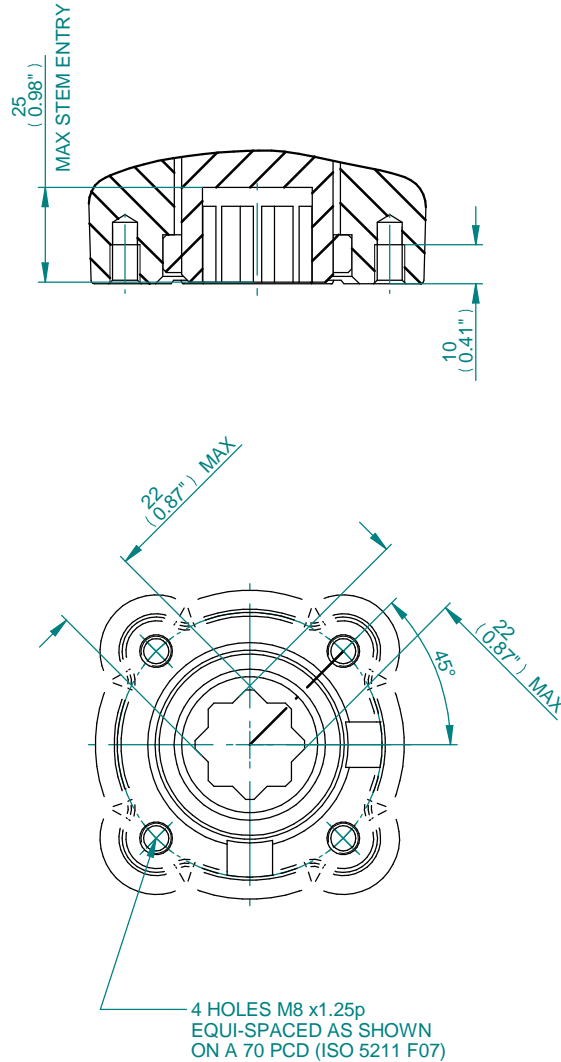


ROMpak 2	110V, 220V AC 1-Phase	SHORT COVER
	220V, 380V, 440V AC 3-Phase	LONG COVER
	12V, 24V AC/DC	



NOTES

*Removal allowance required.



ROMpak2,3 F07 Mounting Base Details