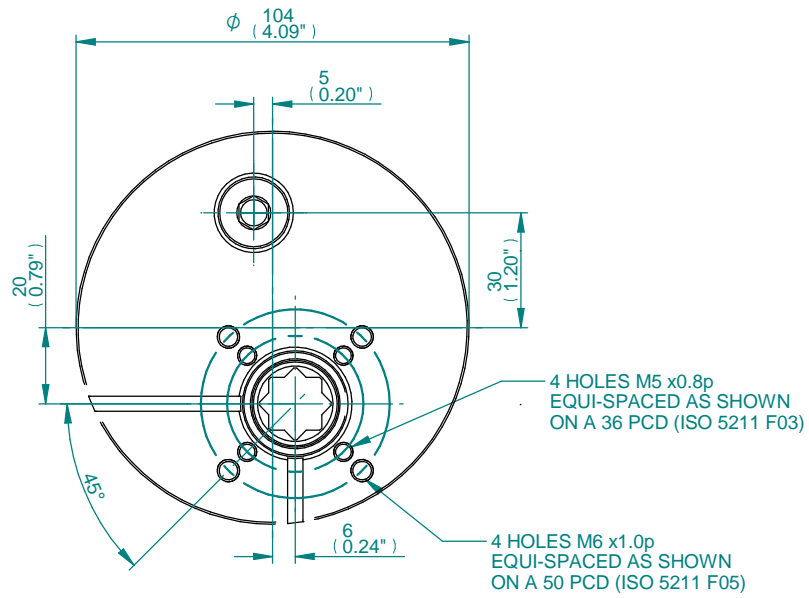
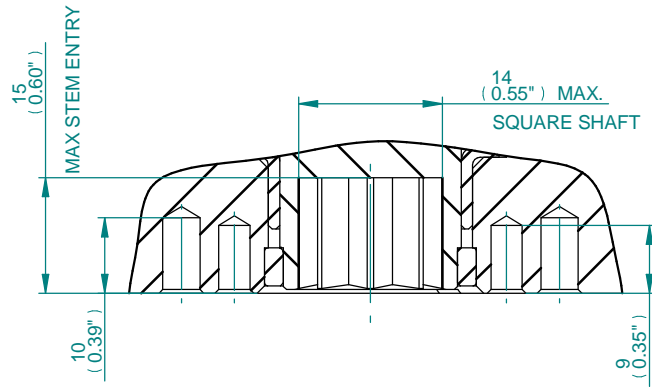


NOTES

*Removal allowance required.



ROMpak-1 F03/F05 Mounting Base Details

<p>Title DIMENSIONAL DATA HEET FOR ROMpak-1, F03/F05 BASE DETAILS</p>	<p>Date 100715</p>	<p>A4 Doc Number ROMpak-1</p>	<p>Ver No 2</p>	<p>Scale 1:2</p>	<p>Sheet No 2 of 2</p>
---	------------------------	---------------------------------------	---------------------	----------------------	----------------------------