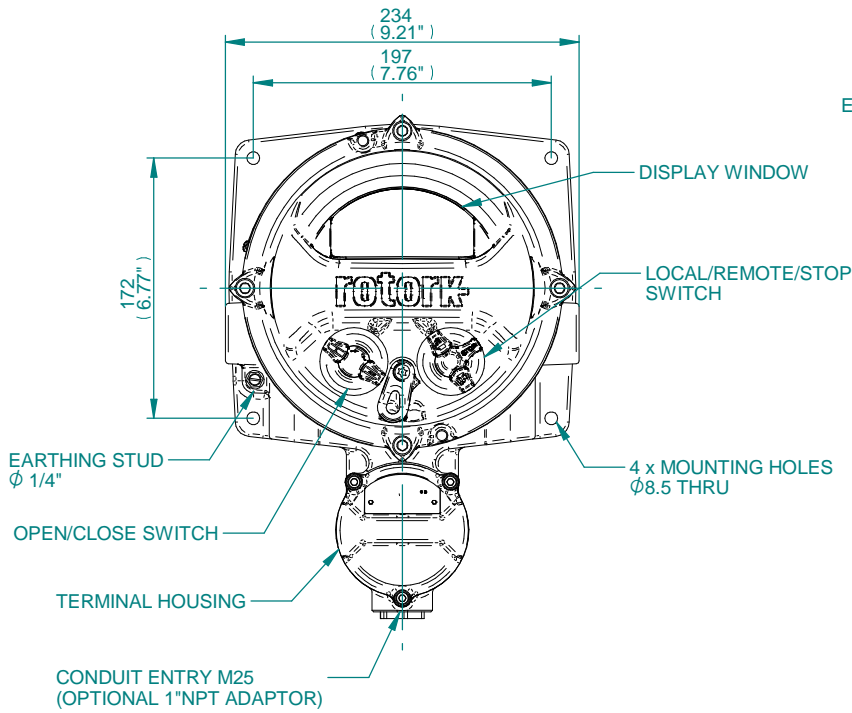
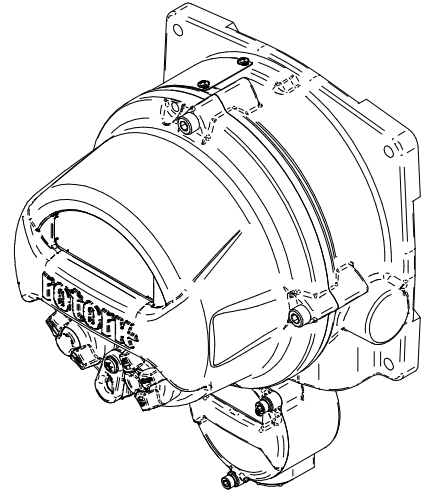
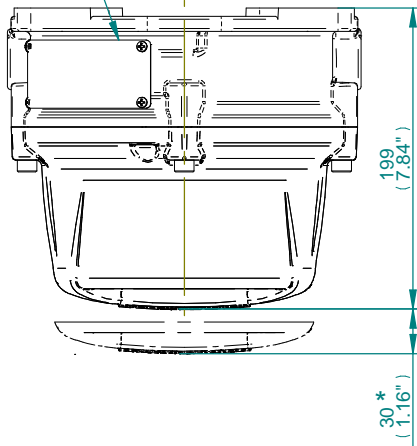
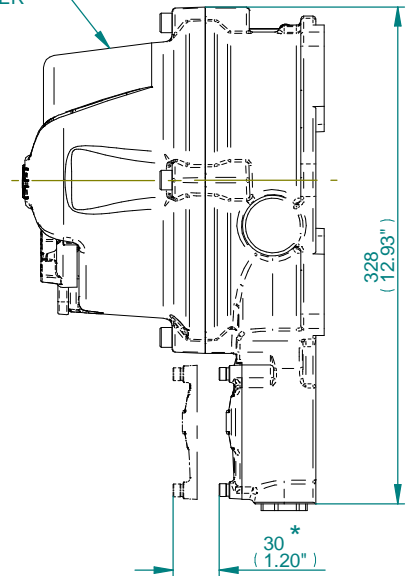


IDENTIFICATION PLATE



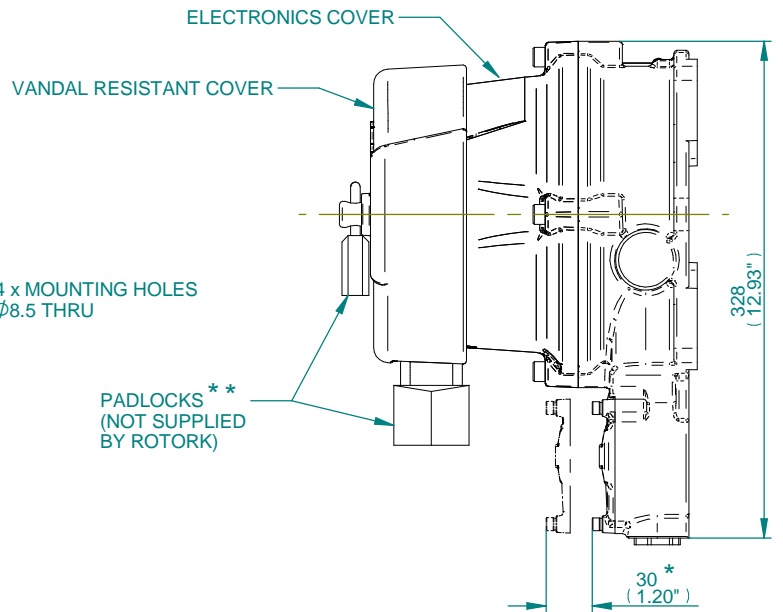
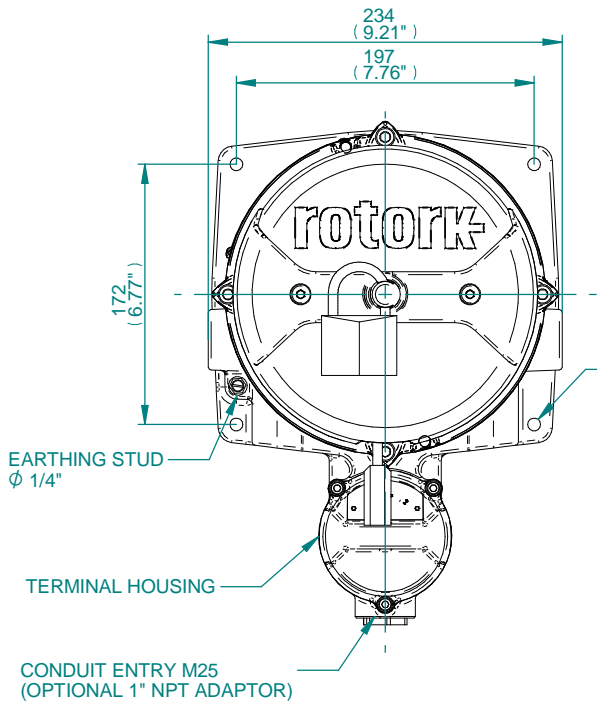
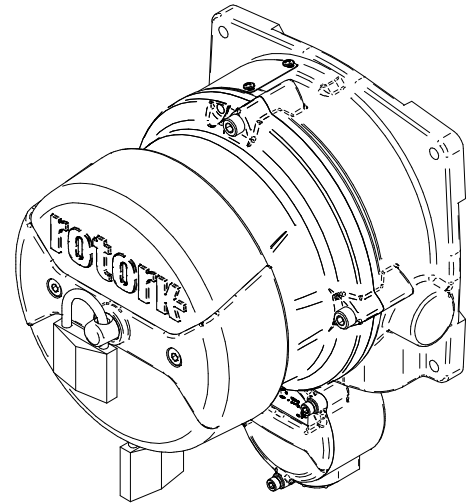
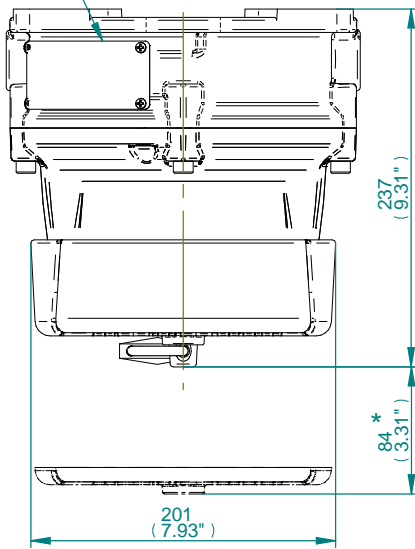
ELECTRONICS COVER



**NOTES**

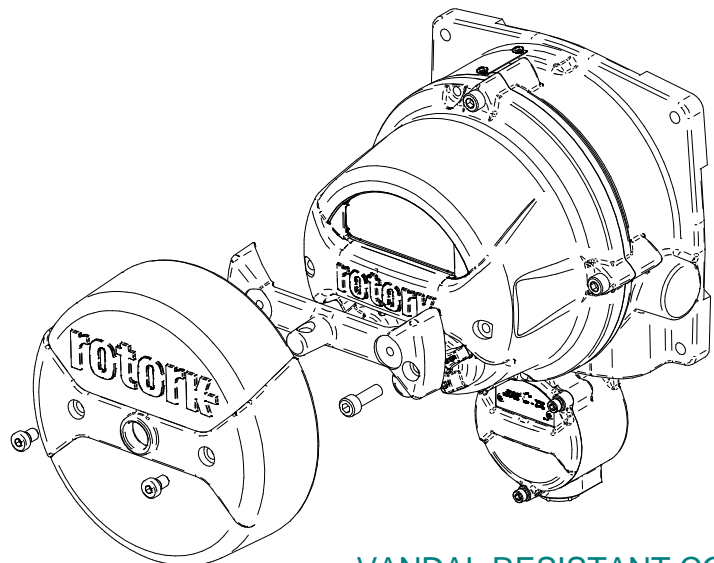
1. '\*' Removal Allowance required.
2. Mounting fixings not supplied with product.
3. For required cable specification see Installation and Maintenance manual PUB002-059.
4. Nett weight: 7Kg/15.4lbs.

IDENTIFICATION PLATE



**NOTES**

- 1. ' \* ' Removal Allowance required.
- 2. ' \*\* ' Padlocks are not supplied by Rotork. Padlock shackle max  $\phi 8.00$ .
- 3. Mounting fixings not supplied with product.
- 4. For cable specification see Installation and Maintenance manual PUB002-059.
- 5. Nett weight: 9Kg/19.8lbs.



VANDAL RESISTANT COVER ASSEMBLY